

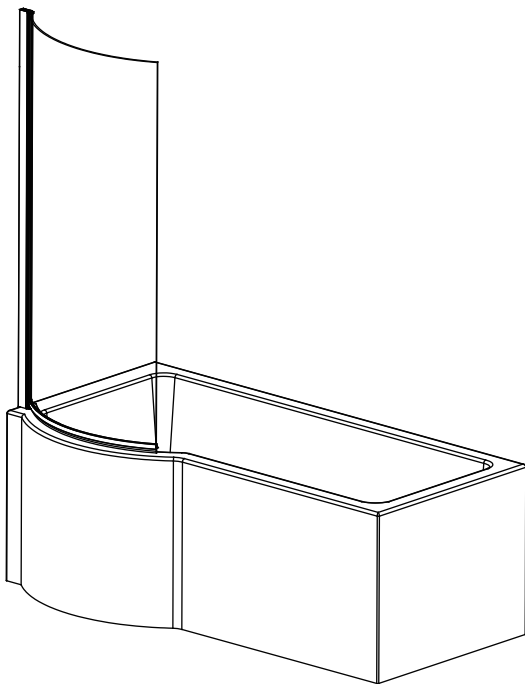
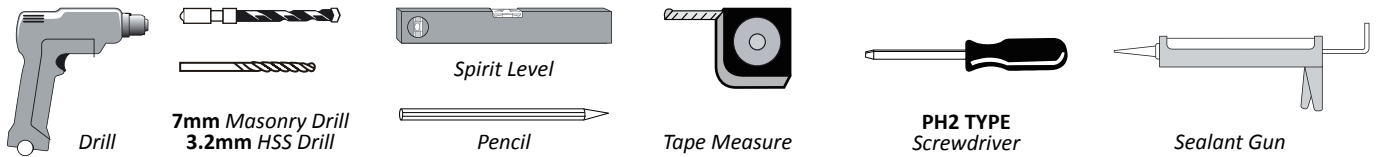
Bath Screen

ASSEMBLY GUIDE

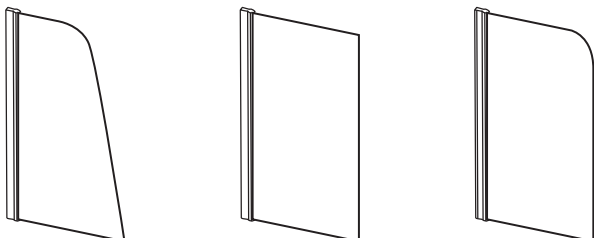
IMPORTANT

- 1.. The screen can be constructed either way up, for left or right hand opening.
- 2.. These instruction and list of parts assume that installation is done against solid or tiled walls. Hollow or "Stud - partition" walls will require alternate fixings. Please consult a hardware supplier for the correct type. It may also be necessary to consult your tiling supplier about the correct method for drilling your tiles.
- 3.. Please check this product for damage prior to starting the installation. No claims can be made after the products has been fitted, or after fitting has commenced.
- 4.. Please note the minimum and maximum adjustment for this product are based on perfectly plumb walls.

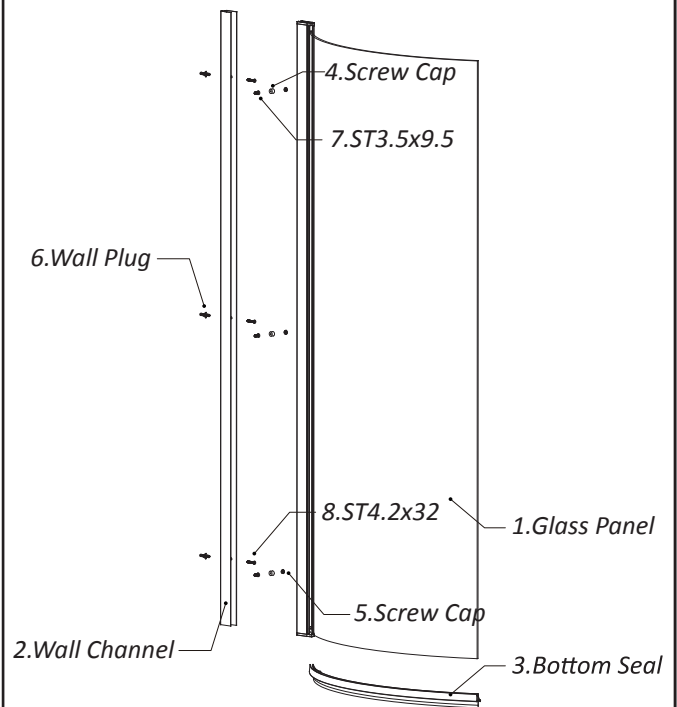
Tools Required *Please note hand tools NOT supplied.*



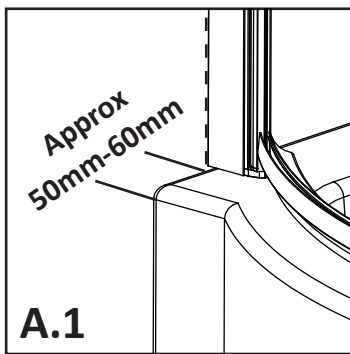
This assembly guide is suited to the Square bath screen, Radius bath screen and Sail bath screens.



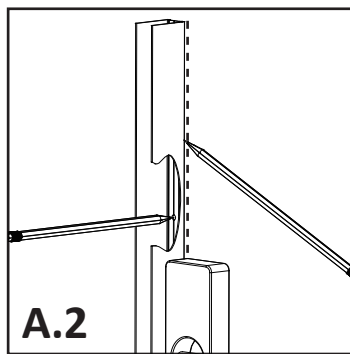
EXPLODED VIEW AND PARTS LIST



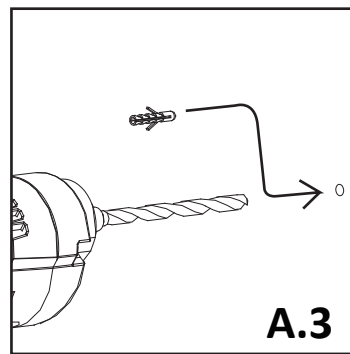
Parts List			
1	Glass Panel	1	
2	13489-1 Wall Channel	1	
3	SL205&6-4 Bottom Seal	1	
4	S1PS07 Screw Cap	3	
5	S1PS08 Screw Cap	3	
6	SBLTL001 Wall Plug	3	
7	SBLTL003 Tapping Screw ST3.5*9.5	3	
8	SBLTL013 Tapping Screw ST4.2*32	3	



A.1



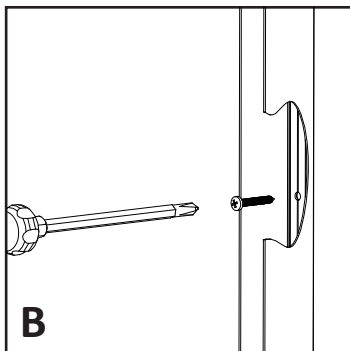
A.2



A.3

Step A

Place the screen onto the bath and ensure the glass arc can fit with the bath arc. Now the wall channel can be placed into position. Best practice is to place the wall channel onto the bath approx 50mm-60mm far from the edge of bath as shown in **A.1**. Although it may look more attractive to place the glass screen in the middle of the bath shoulder, it may lead to some small amounts of water leaving the bath. It is best to place the screen above the inside edge of the bath.

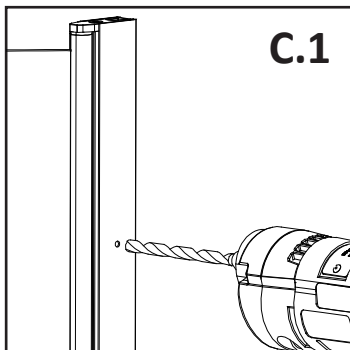


B

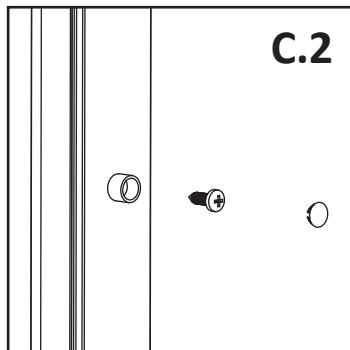
Place the wall channel **13489-1** onto the wall. After ensuring it is plumb mark the position of the holes on the wall. Do this by marking the wall with a pencil through the pre-drilled holes in the wall channel. It is advisable to place some masking tape or similar onto the tiles before marking and drilling the holes. Not only will this allow you to mark the position of the holes more clearly, but it will stop the drill bit from slipping on the tiles causing you to drill off target. Drill 3 holes with a 6mm masonry drill bit and insert wall plugs **SBLTL001**. Plugs provided are for standard plasterboard walls, we advise you seek professional help to ensure you are using the correct wall fixings for your wall.

Step B

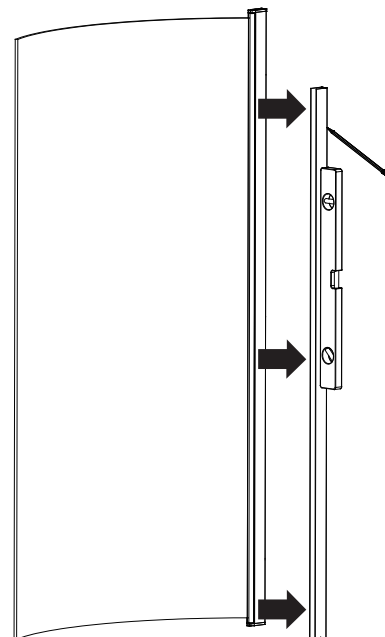
Fix the wall profile to the wall with screws **SBLTL013**.



C.1

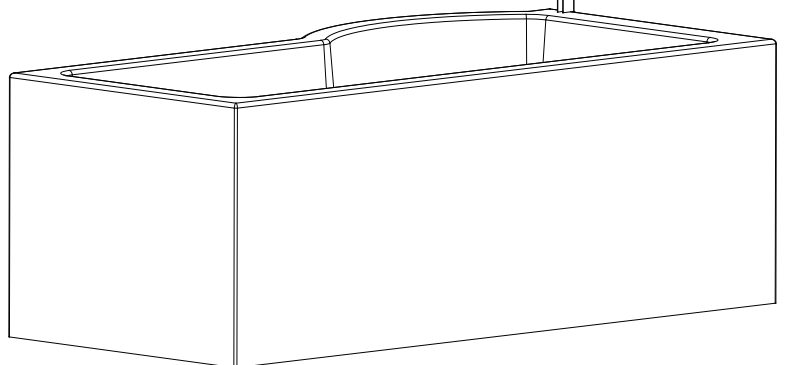


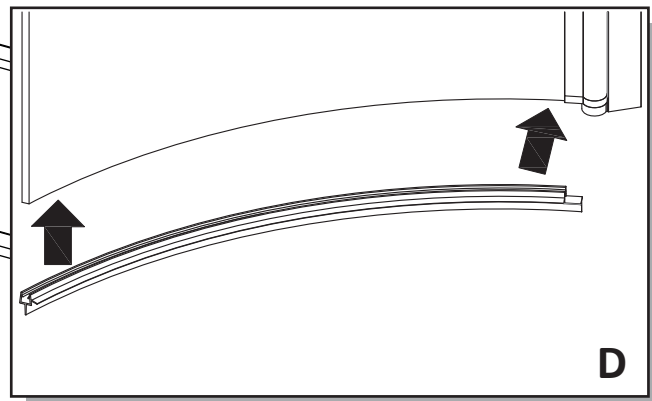
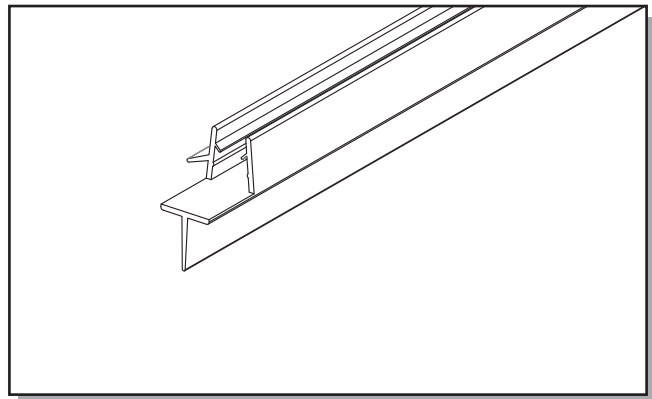
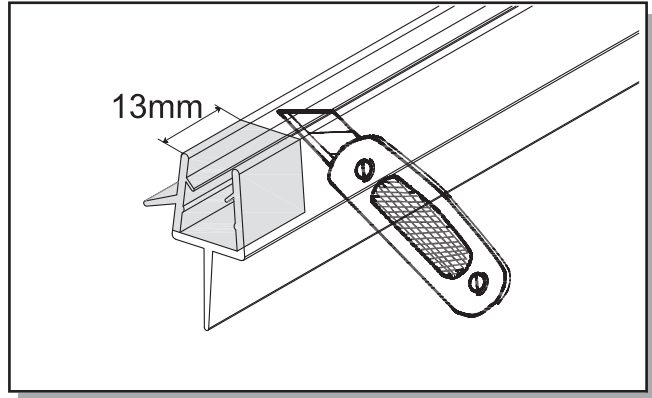
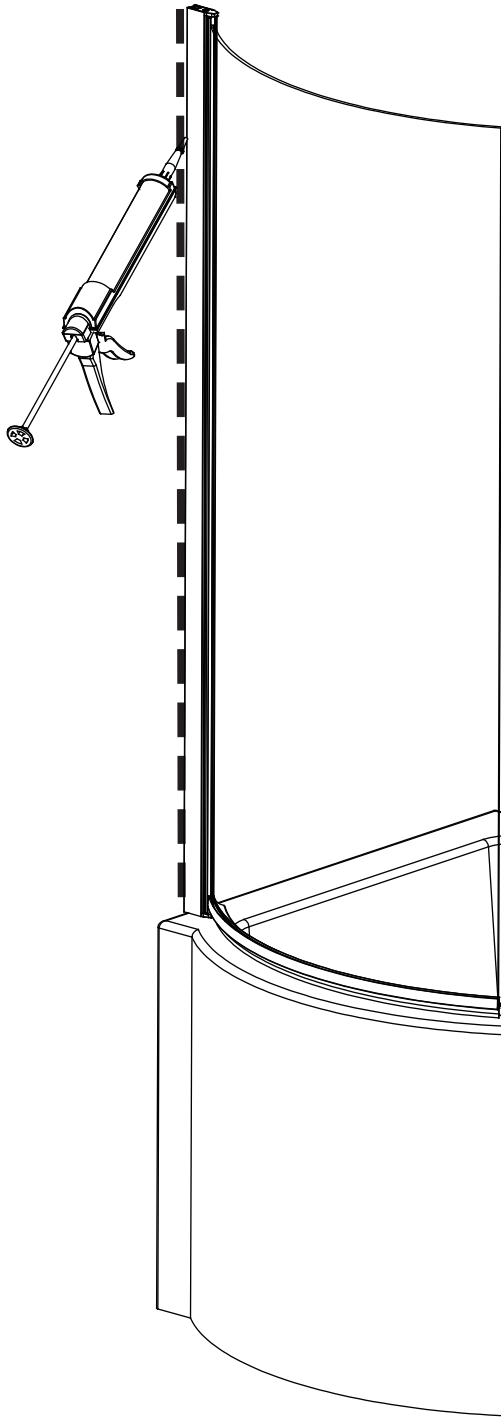
C.2



Step C

Drill 3 equally spaced holes with a 3mm drill bit through the wall channel and the bath screen vertical aluminium profile. Now fix the bath screen vertical profile using screws **SBLTL003**. Ensure you use the screw cover caps **S1PS07** at this stage. Now finish by pushing the screw cover caps **S1PS08** onto the caps to hide the screw heads.





Step D

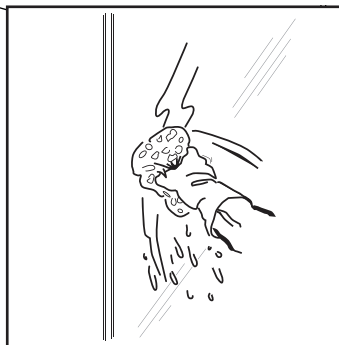
Put the bottom seal *SL205&6-4* on the bottom of the screen.

Note: The bottom seals require trimming.



24 HRS

DO NOT USE THE ENCLOSURE FOR 24 HOURS AFTER SEALING



Step F

Applying Silicone Sealant And Cleaning

Seal from the top of the wall channel to the bottom on the **Outside** between the wall channel and the wall.

Wash down with clean warm water and a soft clean cloth or sponge. Please do not use bleach, alkaline or acid-based, aggressive or abrasive cleaning products.