

PRODUCT DATA SHEET

Ella WC Unit

Product Code: ELLA-WCUNIT-ANTHRACITE



SCUDO
BEAUTIFUL BATHROOMS

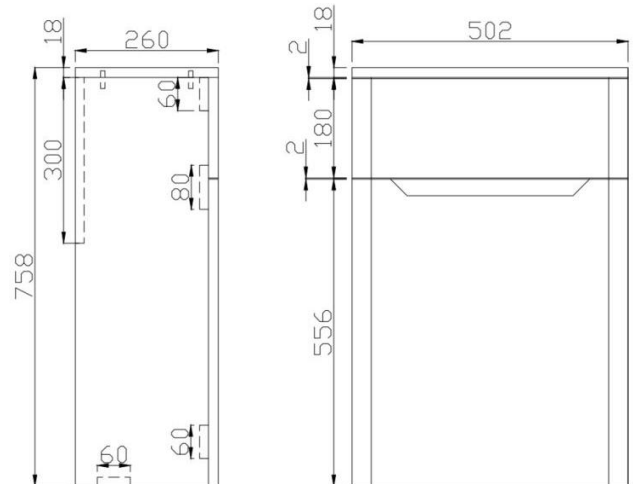
0330 124 7290

sales@scudo.co.uk - www.scudo.co.uk

Scudo is the trading name of Harrison Bathrooms Ltd. Whilst we endeavour to ensure that the product information is accurate we accept no liability for any information given. All images are for illustration purposes only. Product images and specification are subject to change. Measurement are in millimetres and are nominal.

Product Name	ELLA-WCUNIT-ANTHRACITE
Product Description	Ella 500 WC Unit Anthracite
Product Transportation	
Barcode	5060766125008
Country of origin	China
Commodity code	9403609000
Product Measurements	
Product Weight (KG)	13.5
Product Width (mm)	502
Product Height (mm)	756
Product Depth (mm)	260
Product Length (mm)	0
Primary Packed Measurements	
Packaged Weight	14.8
Packed Length	522
Packed Width	776
Packed Height	0
Packaging Weights	
Card (kg)	1.2
Paper (kg)	0
Wood (kg)	0
Plastic (kg)	0.1
Compliance DOP	N/a

General Information	
Construction Material	MFC & Painted MDF
Installation type	Floor Mounted
Colour / Finish	Anthracite
Furniture Attributes	
Supplied Fully Assembled	Yes
Number Of Drawers	0
Number Of Doors	0
Soft Close Doors / Drawers	No
Moisture resistant	Yes
Internal Shelves	0
Door Opening Width (mm)	N/a
Draw Opening Distance (mm)	0
Recommended Concealed Cistern	CISTERN002
False Draws	No
Number of False Draws	No
Can the door be swapped over to open the opposite way	N/a
Which side is the door hinge located	N/a
Compatible Furniture Part Code	Ella
Compatible Basin Part Code	N/a
Handles	
Handle Style	Recessed cut out
Handle Finish	N/a
Handle Material	N/a
Number of Handles	0



Dimensions
(measurements in mm)



LIFETIME GUARANTEE

We are confident in our products and we want our customer to be, we proudly give a lifetime guarantee on our taps and showers, further details can be found on our website