

PRODUCT DATA SHEET

Empire 500 Vanity Unit Matt Anthracite

Product Code: EMPIRE-500CAB-ANTHRACITE

| | |
|------------------------------------|---------------------------------------|
| Product Name | EMPIRE-500CAB-ANTHRACITE |
| Product Description | Empire 500 Unit Handleless Anthracite |
| Product Transportation | |
| Barcode | 5060766125633 |
| Country of origin | China |
| Commodity code | 9403609000 |
| Product Measurements | |
| Product Weight (KG) | 24 |
| Product Width (mm) | 365mm |
| Product Height (mm) | 810mm |
| Product Depth (mm) | N/A |
| Product Length (mm) | 466mm |
| Primary Packed Measurements | |
| Packaged Weight | 25mm |
| Packed Length | 500mm |
| Packed Width | 460mm |
| Packed Height | 830mm |
| Packaging Weights | |
| Card (kg) | 1.5 |
| Paper (kg) | 0.012 |
| Wood (kg) | N/A |
| Plastic (kg) | 0.03 |
| Compliance DOP | N/A |

| | |
|---|-------------------|
| General Information | |
| Construction Material | MFC & Painted MDF |
| Installation type | Floor Mounted |
| Colour / Finish | Anthracite |
| Furniture Attributes | |
| Supplied Fully Assembled | Yes |
| Number Of Drawers | 0 |
| Number Of Doors | 2 |
| Soft Close Doors / Drawers | Yes |
| Moisture resistant | Yes |
| Internal Shelves | 1 |
| Door Opening Width (mm) | 410 |
| Draw Opening Distance (mm) | N/a |
| Recommended Concealed Cistern | N/a |
| False Draws | No |
| Number of False Draws | 0 |
| Can the door be swapped over to open the opposite way | N/a |
| Which side is the door hinge located | Both |
| Compatible Furniture Part Code | Empire |
| Compatible Basin Part Code | THIN500BASIN |
| Handles | |
| Handle Style | Recessed |
| Handle Finish | N/a |
| Handle Material | N/a |
| Number of Handles | 2 |

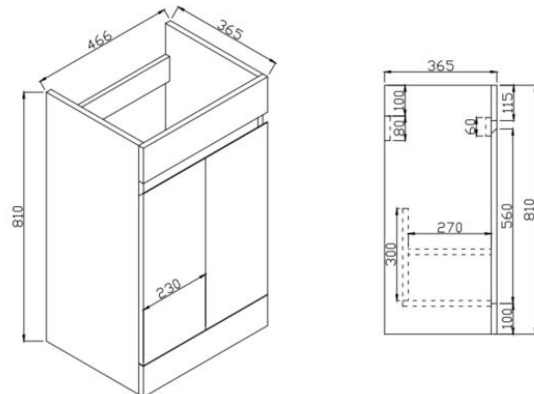


SCUDO
BEAUTIFUL BATHROOMS

0330 124 7290

sales@scudo.co.uk - www.scudo.co.uk

Scudo is the trading name of Harrison Bathrooms Ltd. Whilst we endeavour to ensure that the product information is accurate we accept no liability for any information given. All images are for illustration purposes only. Product images and specification are subject to change. Measurement are in millimetres and are nominal.



Dimensions

(measurements in mm)



LIFETIME GUARANTEE

We are confident in our products and we want our customer to be, we proudly give a lifetime guarantee on our taps and showers, further details can be found on our website.