

# PRODUCT DATA SHEET

## Harrogate WC

Product Code:HARR-WC-ARCTIC



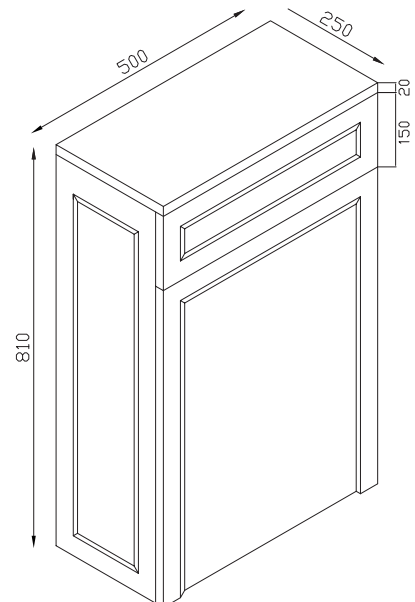
**SCUDO**  
BEAUTIFUL BATHROOMS

0330 124 7290

[sales@scudo.co.uk](mailto:sales@scudo.co.uk) [www.scudo.co.uk](http://www.scudo.co.uk)

Scudo is the trading name of Harrison Bathrooms Ltd. Whilst we endeavour to ensure that the product information is accurate, we accept no liability for any information given. All images are for illustration purposes only. Product images and specification are subject to change. Measurements are in millimetres and are nominal.

Product Code	HARR-WC-ARCTIC
Product Description	Harrogate WC Unit Arctic
Product Transportation	
Barcode	5060713729440
Country of origin	China
Commodity code	9403609000
Product Measurements	
Product Weight (KG)	16.6
Product Width (mm)	500
Product Height (mm)	815
Product Depth (mm)	250
Primary Packed Measurements	
Packaged Weight	17
Packed Width	550
Packed Height	860
Packed Depth	350
General Information	
Construction Material	Painted MDF
Installation type	Floor Mounted
Colour / Finish	Arctic



## Dimensions

(Measurements in mm)



### LIFETIME GUARANTEE

We are confident in our products and we want our customer to be, we proudly give a lifetime guarantee on our taps and showers. further details can be found on our website.