

# Frameless Flipper Panel

## ASSEMBLY GUIDE

### IMPORTANT

- 1.. The cubicle can be constructed either way up, for left or right hand opening.
- 2.. These instructions and list of parts assume that installation is done against solid or tiled walls. Hollow or "Stud - partition" walls will require alternative fixings. Please consult a hardware supplier for the correct type. It may also be necessary to consult your tiling supplier about the correct method for drilling your tiles.
- 3.. Please check this product for damage prior to starting the installation. No claims can be made after the products have been fitted, or after fitting has commenced.
- 4.. This is a 2 person installation.
- 5.. Please note the minimum and maximum adjustment for this product are based on perfectly plumb walls.

### Tools Required *Please note hand tools NOT supplied.*



Drill



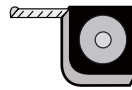
7mm Masonry Drill  
3.2mm HSS Drill



Spirit Level



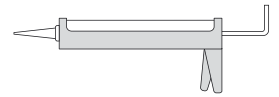
Pencil



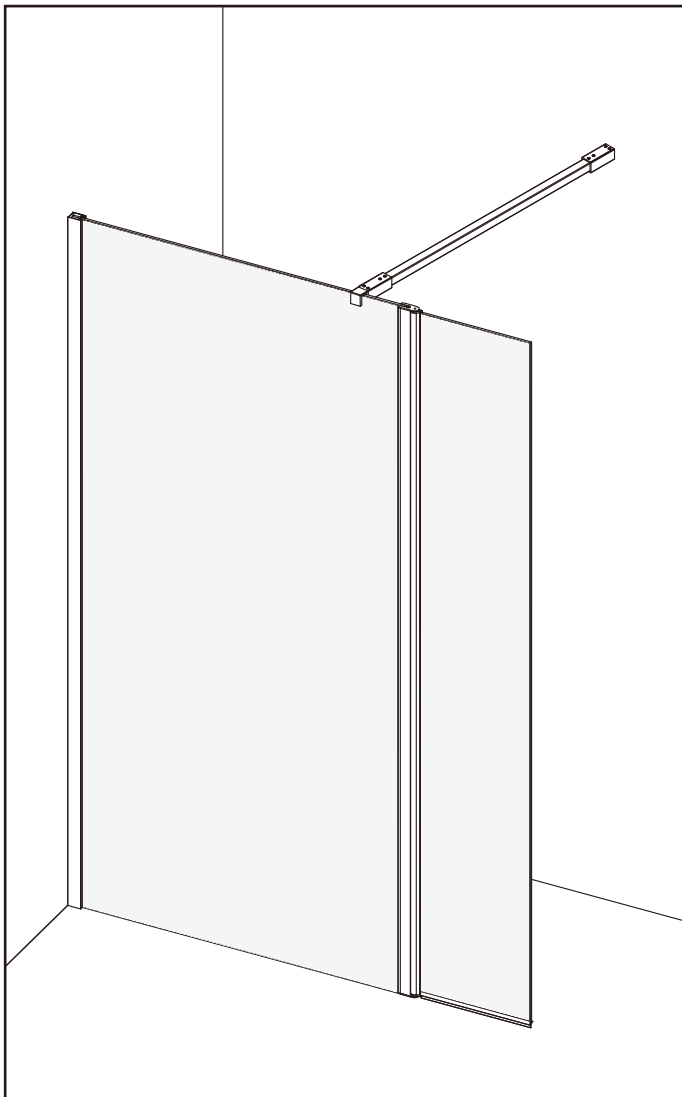
Tape Measure



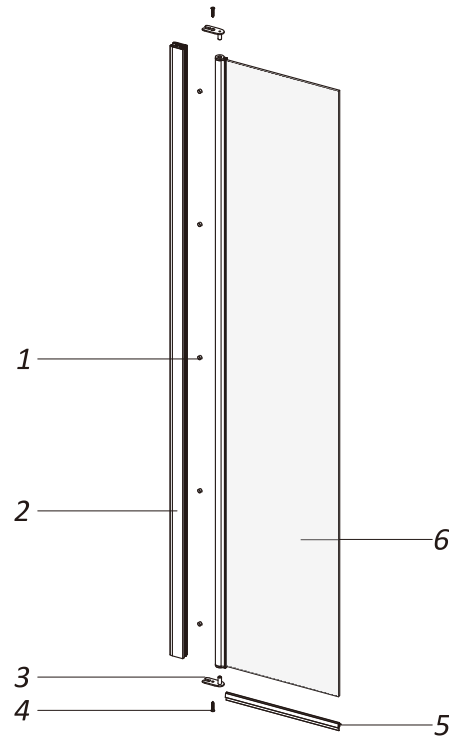
PH2 TYPE  
Screwdriver



Sealant Gun

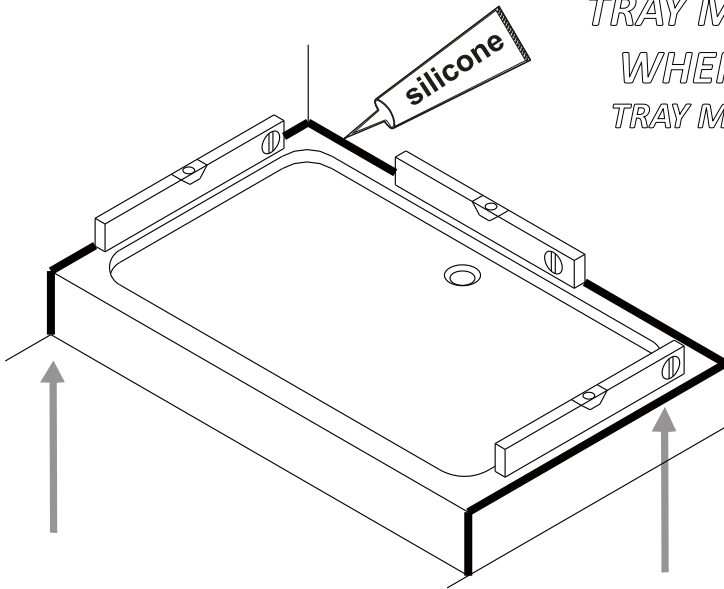


### EXPLODED VIEW AND PARTS LIST



1.. Cover Caps	N011300	x 5
2.. Upright profile	LCT184&LCT185	x 1
3.. Bottom Pivot Core	M05595	x 2
4.. Screws ST4x30	M22430	x 2
5.. Bottom seal	JT0004-6-8/10TS	x 1
6.. Fixed panel		x 1

*TRAY MUST BE SEALED FULLY AROUND  
WHERE THE TRAY MEETS THE WALL  
TRAY MUST BE 100% LEVEL IN ALL DIRECTIONS*

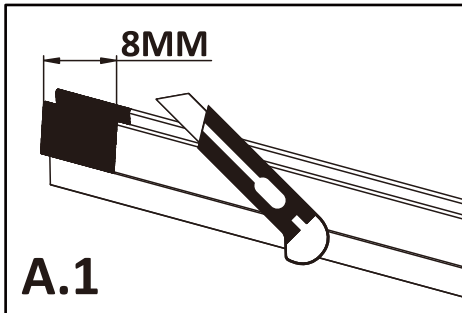


**TRAY MUST BE 100% LEVEL IN ALL DIRECTIONS  
TRAY MUST BE SEALED FULLY AROUND WHERE  
THE TRAY MEETS THE WALL**

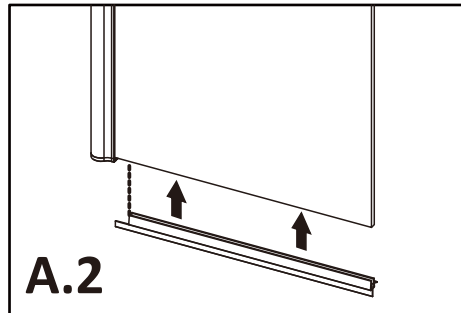
*Ensure the shower tray is level in all directions and is properly sealed to the wall. The wall must be tiled down to the top edge of the tray. Do not angle out bottom tile.*

## Step A

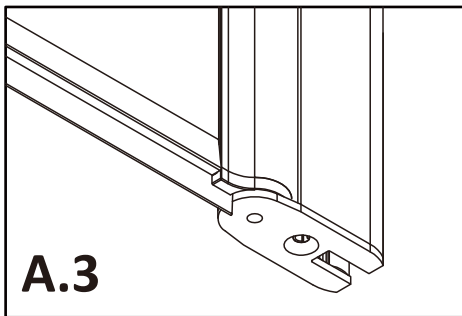
*Assembly the bottom seal JT0004-6-8/10TS.*



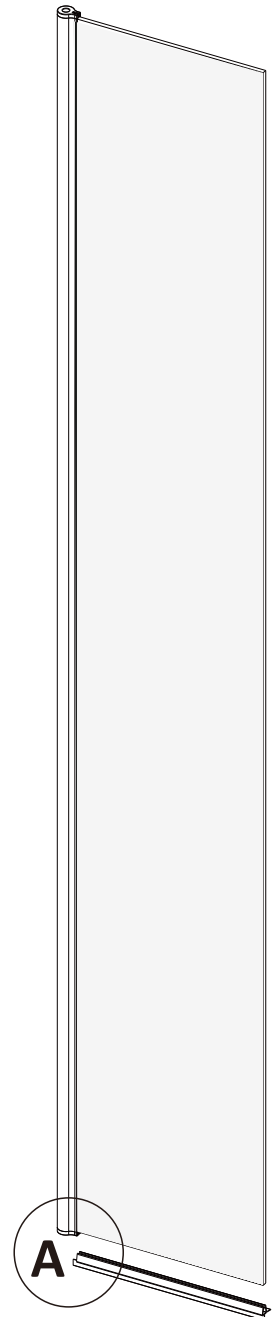
**A.1**



**A.2**

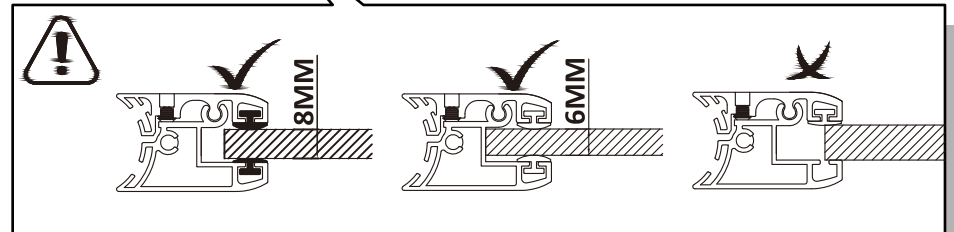
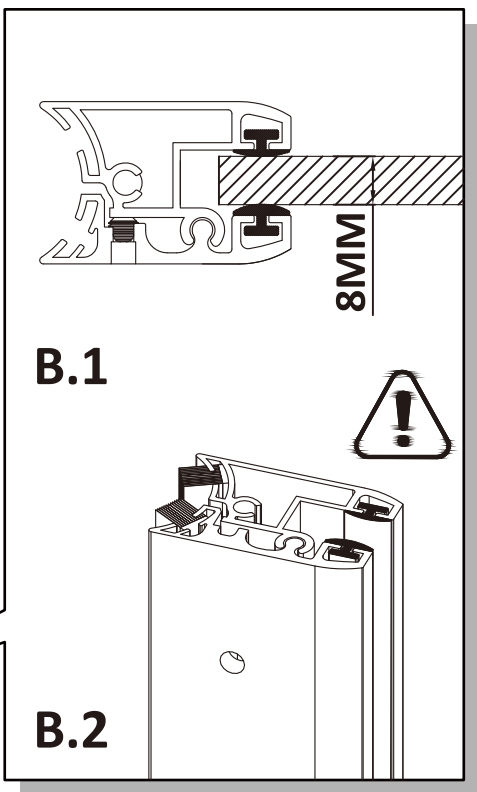
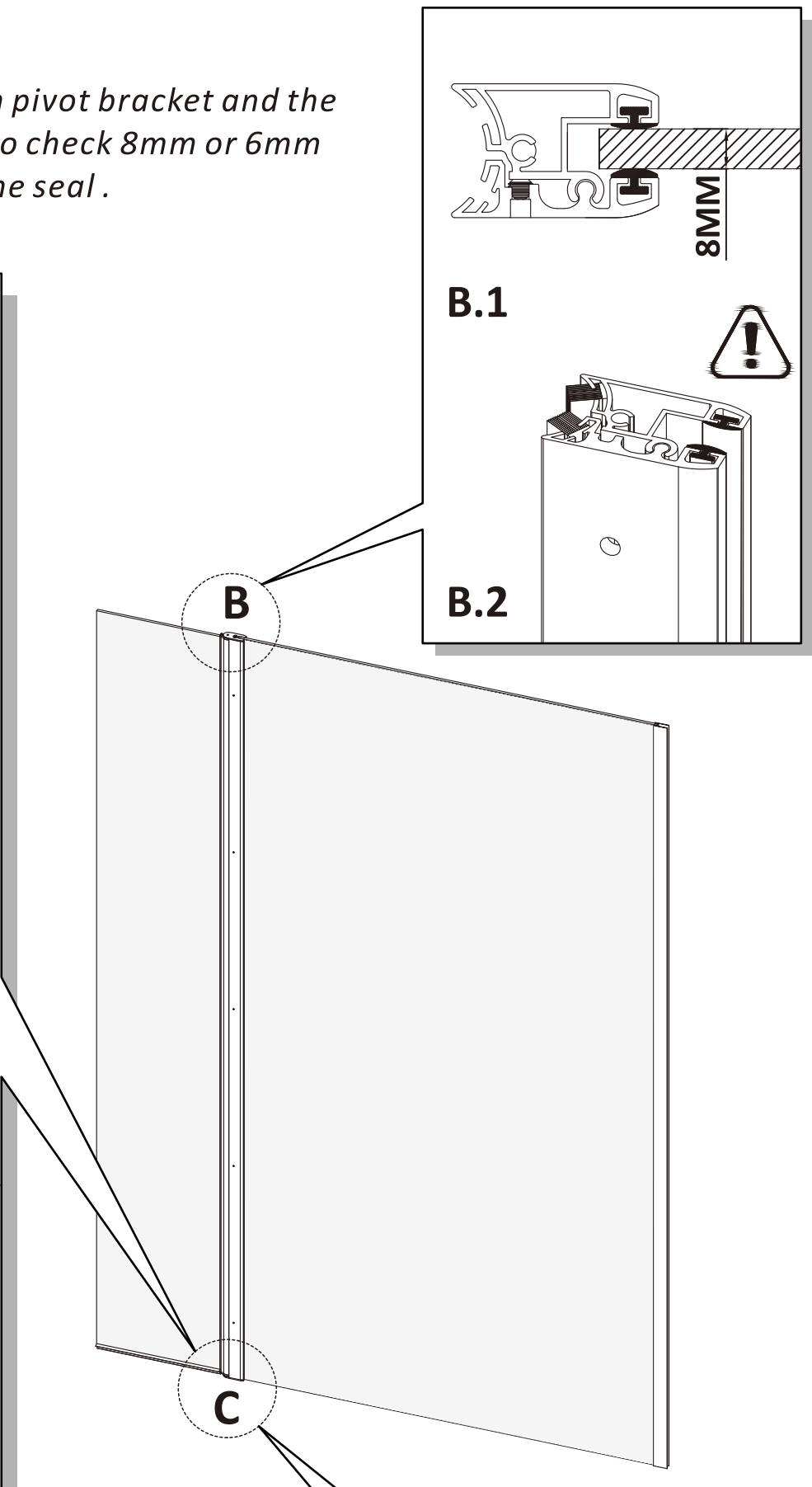
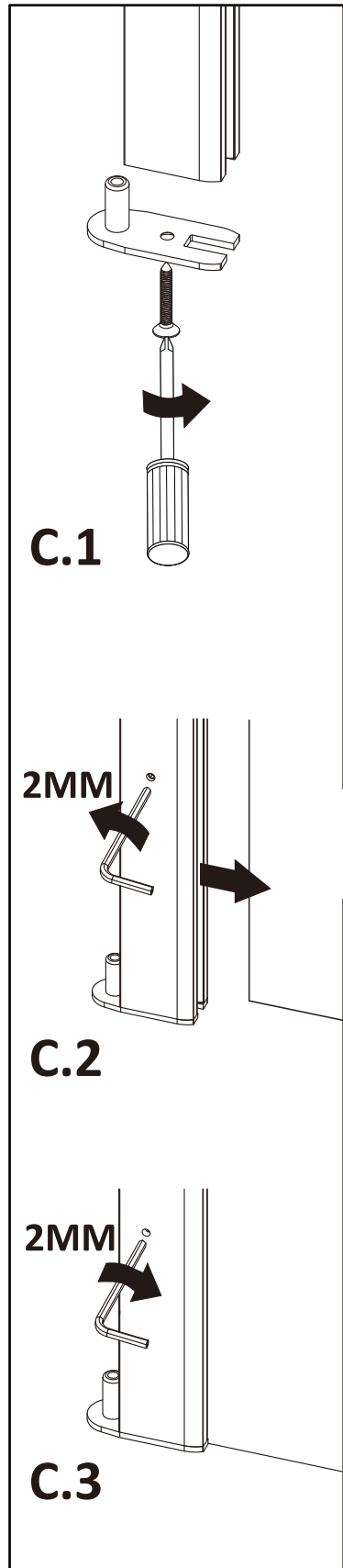


**A.3**



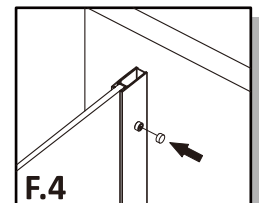
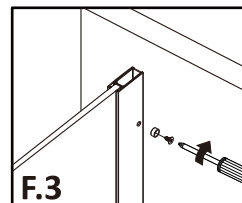
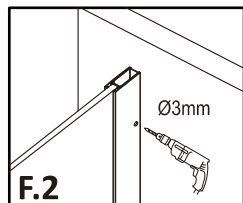
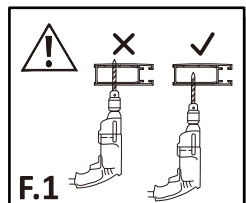
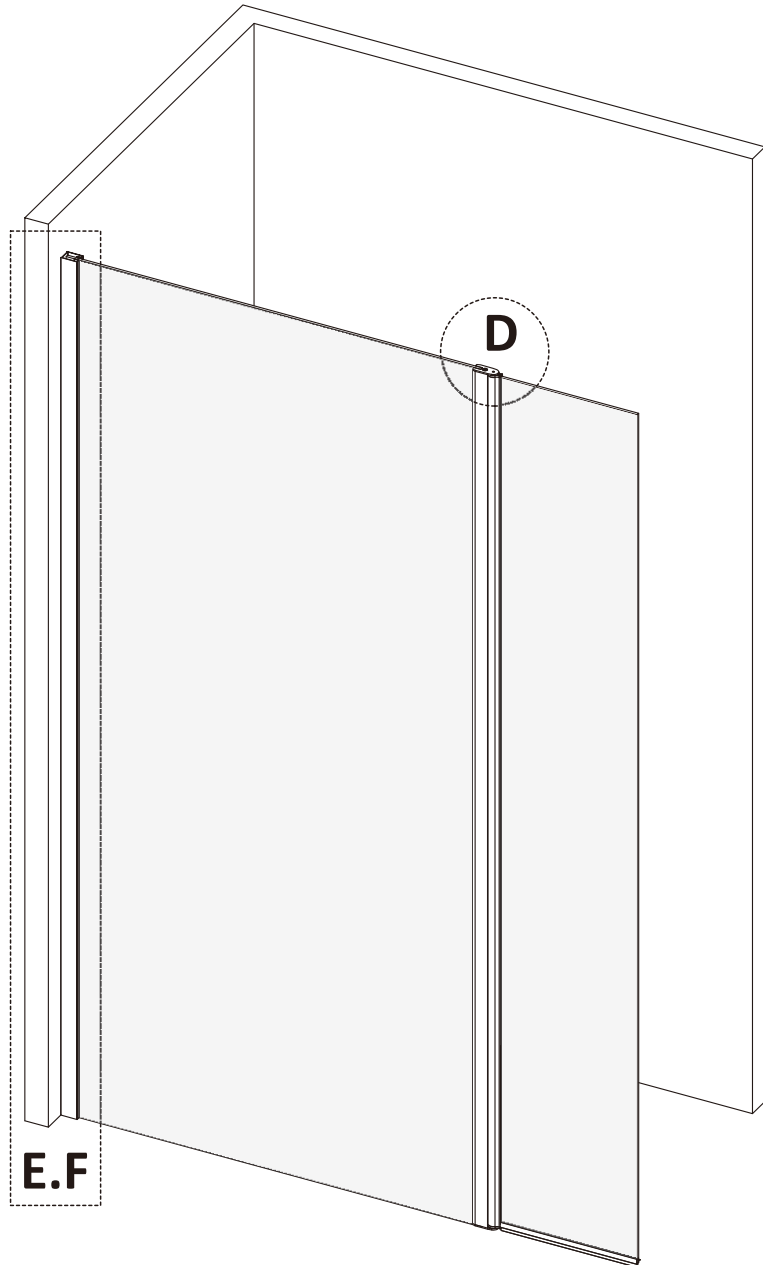
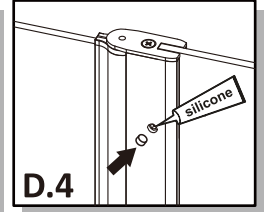
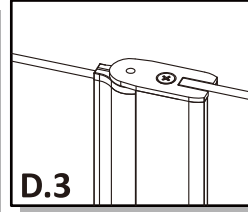
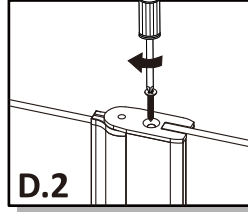
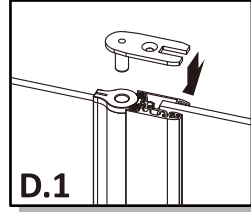
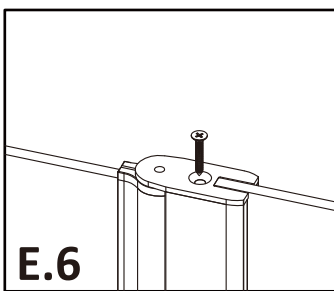
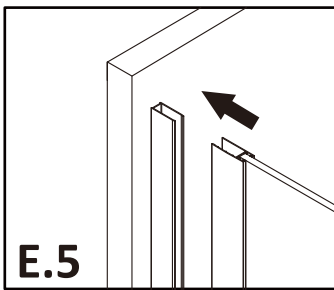
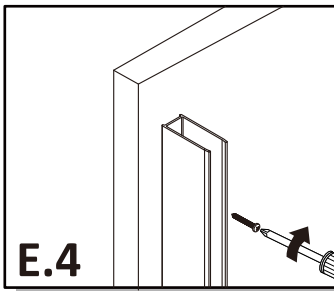
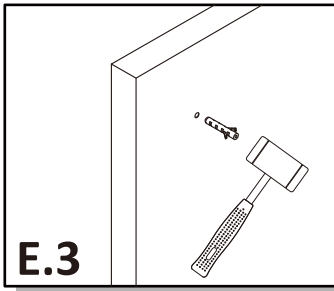
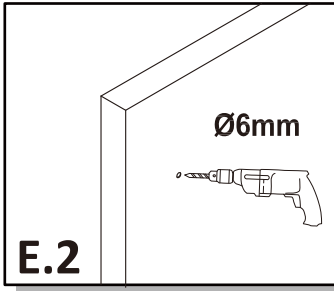
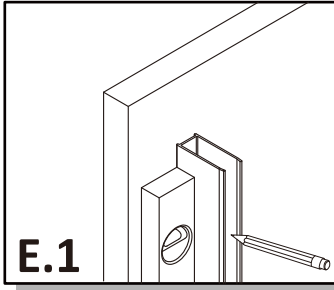
# Step B&C

Assembly the bottom pivot bracket and the vertical seal, need to check 8mm or 6mm glass before to fit the seal.



# Step D&E&F

Lift the flipper panel into the walk in glass.



**24 HRS**



**DO NOT USE THE  
ENCLOSURE FOR  
24 HOURS AFTER  
SEALING**

## Step G

### *Applying Silicone Sealant*

- 1. Seal from the top of the wall channel to the bottom (on the outside only)*
- 2. Seal the base of the glass and wall channel to the tray (on the outside only)*

**IMPORTANT:** Do not apply sealant on inside of the tray where the door meets the tray horizontally. Sealing Outside Seal horizontally between the tray and the bottom profile. Also seal vertically around 30mm between the wall channel and wall and also between the wall channel and the vertical profile.

**G**

