

PRODUCT DATA SHEET

Middleton Rimless Closed Back Pan

Product Code: MIDDLETON-CLOSEPAN



SCUDO
BEAUTIFUL BATHROOMS

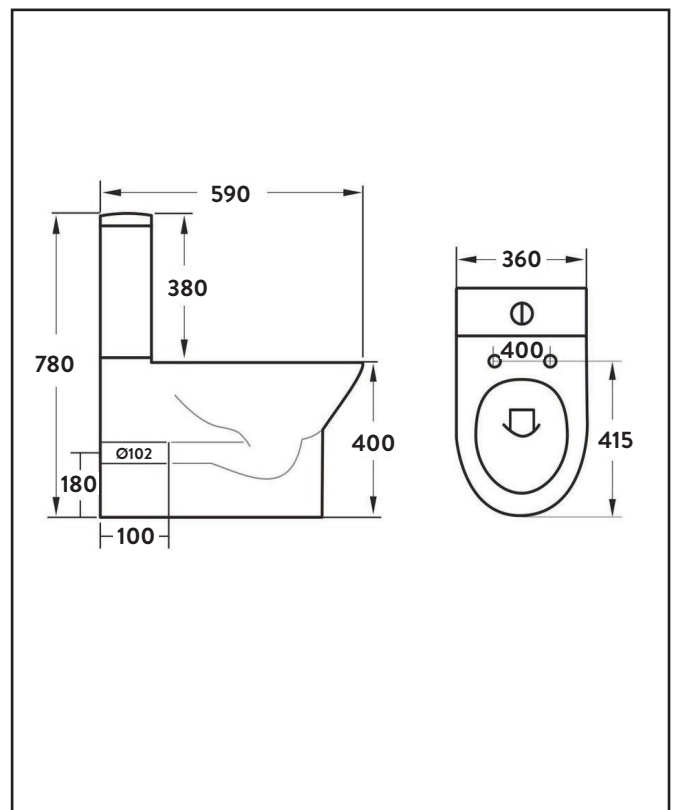
0330 124 7290

sales@scudo.co.uk - www.scudo.co.uk

Scudo is the trading name of Harrison Bathrooms Ltd. Whilst we endeavour to ensure that the product information is accurate we accept no liability for any information given. All images are for illustration purposes only. Product images and specification are subject to change. Measurement are in millimetres and are nominal.

Product Name	MIDDLETON-CLOSEPAN
Product Description	Middleton Rimless Closed Back Pan
Product Transportation	
Barcode	5060766120843
Country of origin	CH
Commodity code	6910100000
Product Measurements	
Product Weight (KG)	24
Product Width (mm)	360
Product Height (mm)	780
Product Depth (mm)	415
Product Length (mm)	590
Primary Packed Measurements	
Packaged Weight	24.5
Packed Length	590
Packed Width	460
Packed Height	830
Packaging Weights	
Card (kg)	1.5
Paper (kg)	n/a
Wood (kg)	n/a
Plastic (kg)	0
Compliance DOP	HBDOC102, HBDOC103

General Information	
Construction Material	0
Installation type	0
Colour / Finish	0
WC Pan Specification	
Projection (mm)	590
Toilet Pan Height (mm)	400
Pan Fixing Kit Included	Yes
Seat Included	No
Shape	Round
Type	Close Couple
Waste Connection Specification	
Floor to centre of soil pipe (mm)	180



Dimensions
(measurements in mm)



LIFETIME GUARANTEE

We are confident in our products and we want our customer to be, we proudly give a lifetime guarantee on our taps and showers, further details can be found on our website.