

PRODUCT DATA SHEET

Round Shower Wall Outlet Elbow

Product Code: OUT002L



SCUDO
BEAUTIFUL BATHROOMS

0330 124 7290

sales@scudo.co.uk - www.scudo.co.uk

Scudo is the trading name of Harrison Bathrooms Ltd. Whilst we endeavour to ensure that the product information is accurate we accept no liability for any information given. All images are for illustration purposes only. Product images and specification are subject to change. Measurement are in millimetres and are nominal.

Product Measurements

Product Weight:	0.34kg
Product Width:	50mm
Product Height:	50mm
Product Depth:	N/a
Product Length:	70mm

Product Transportation

Barcode:	5060500640316
Country of Origin:	China
Comodity Code:	8481801190

Primary Packed Measurements

Packaged Weight:	0.258kg
Packaged Length:	55mm
Packaged Width:	55mm
Packaged Height:	95mm

Packaging Weight

Card:	0.08kg
Plastic:	N/A

General Information

Construction Material:	Brass
Installation Type:	Wall Mounted
Colour / Finish:	Chrome

Shower Specification

Anti-Scald:	No
Shower Diverter Functions:	N/A
Number of Outlets:	1
Thermo Temp Control:	N/A
Cool Touch:	No
Shower Handset Functions:	N/A
Minimum Working Pressure:	0.2
Maximum Working Pressure:	5
Shape:	Round
Pipe Centre:	N/A
Inlet Connection:	1/2 BSP
Outlet Connection:	1/2 BSP
Adjustable:	No
Adjustment:	N/A
Handle Type:	N/A

Flow Rates

0.2bar (l/min)	N/A
0.5bar (l/min)	N/A
1bar (l/min)	N/A
2bar (l/min)	N/A
3bar (l/min)	N/A

Compliance DOP

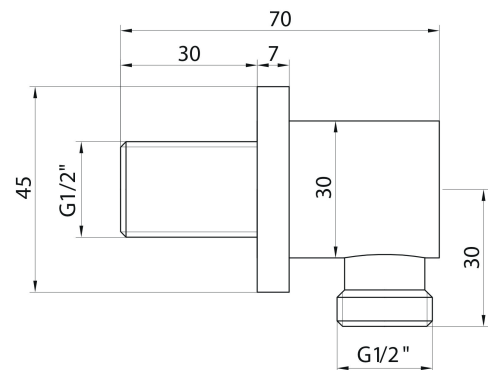
Spares

spares@harrisonbathrooms.com

Tap Attributes

Tap Type Description:	Wall Mounted Outlet
Includes Waste:	N/A
Valve / Cartridge Type:	N/A

For Part G Building regulations, compliance see flow regulator section of spec binder.



Dimensions

(measurements in mm)



LIFETIME GUARANTEE

We are confident in our products and we want our customer to be, we proudly give a lifetime guarantee on our taps and showers, further details can be found on our website