

# PRODUCT DATA SHEET

## S8 Offset Double Door Quadrant 1000x800mm Pack 1

Product Code: SCUD10X8Q-P1

Product Measurements	
Product Weight:	21.5kg
Product Width:	800mm
Product Height:	1900mm
Product Depth:	8mm
Product Length:	1000mm
Product Transportation	
Barcode:	5060500648916
Country of Origin:	China
Comodity Code:	7610909095
Primary Packed Measurements	
Packaged Weight:	24.5kg
Packaged Length:	1975mm
Packaged Width:	525mm
Packaged Height:	105mm
Packaging Weight	
Card:	2.5kg
Paper:	N/A
Wood:	N/A
Plastic:	0.003kg
General Information	
Construction Material:	Aluminium / Glass
Installation Type:	Wall Mounted
Colour / Finish:	Chrome / Clear Glass
Enclosure Attributes	
Adjustment:	970-990mm / 770-790mm
Aqua-Shield:	Yes
Hinge Type:	Sliding
Door Type:	Double Door
Frame Type:	Framed
Glass Type:	Clear
Radius:	550mm
Entry Width:	470mm
Door In Swing:	N/A
Door Out Swing:	N/A
Enclosure Shape:	Quadrant
Glass Thickness:	8mm
Profile Finish/Colour:	Chrome
Profile Material:	Aluminium
Compliance DOP	
HBDOC094 / HBDOC095	

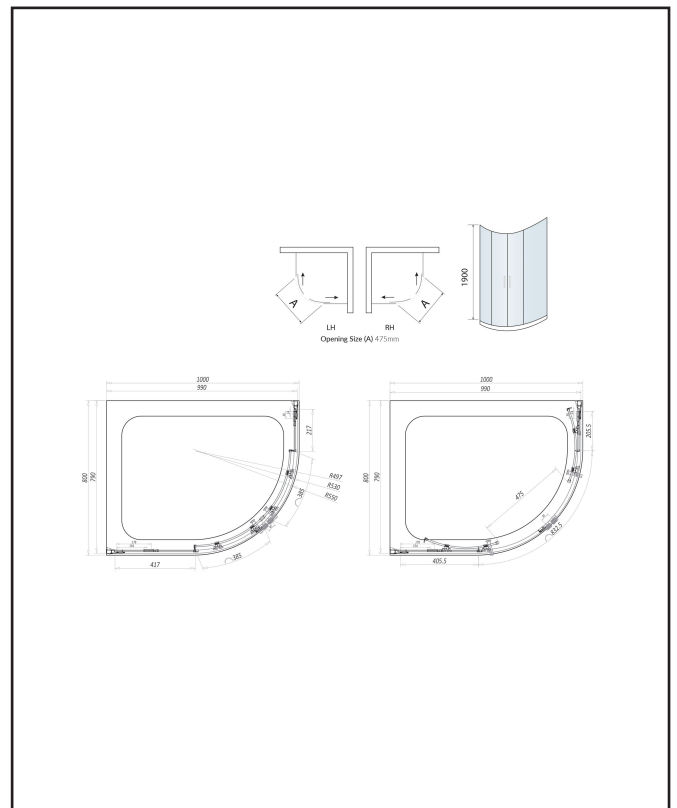


**SCUDO**  
BEAUTIFUL BATHROOMS

0330 124 7290

sales@scudo.co.uk - www.scudo.co.uk

Scudo is the trading name of Harrison Bathrooms Ltd. Whilst we endeavour to ensure that the product information is accurate we accept no liability for any information given. All images are for illustration purposes only. Product images and specification are subject to change. Measurement are in millimetres and are nominal.



## Dimensions (measurements in mm)



### LIFETIME GUARANTEE

We are confident in our products and we want our customer to be, we proudly give a lifetime guarantee on our taps and showers, further details can be found on our website

# PRODUCT DATA SHEET

## S8 Offset Double Door Quadrant 1000x800mm Pack 2

Product Code: SCUD10X8Q-P2

Product Measurements	
Product Weight:	29.2kg
Product Width:	800mm
Product Height:	1900mm
Product Depth:	8mm
Product Length:	1000mm
Product Transportation	
Barcode:	5060766123097
Country of Origin:	China
Comodity Code:	7610909095
Primary Packed Measurements	
Packaged Weight:	32.2kg
Packaged Length:	1960mm
Packaged Width:	440mm
Packaged Height:	140mm
Packaging Weight	
Card:	2.5kg
Paper:	N/A
Wood:	N/A
Plastic:	0.7kg
General Information	
Construction Material:	Aluminium / Glass
Installation Type:	Wall Mounted
Colour / Finish:	Chrome / Clear Glass
Enclosure Attributes	
Adjustment:	970-990mm / 770-790mm
Aqua-Shield:	Yes
Hinge Type:	Sliding
Door Type:	Double Door
Frame Type:	Framed
Glass Type:	Clear
Radius:	550mm
Entry Width:	470mm
Door In Swing:	N/A
Door Out Swing:	N/A
Enclosure Shape:	Quadrant
Glass Thickness:	8mm
Profile Finish/Colour:	Chrome
Profile Material:	Aluminium
Compliance DOP	
HBDOC094 / HBDOC095	

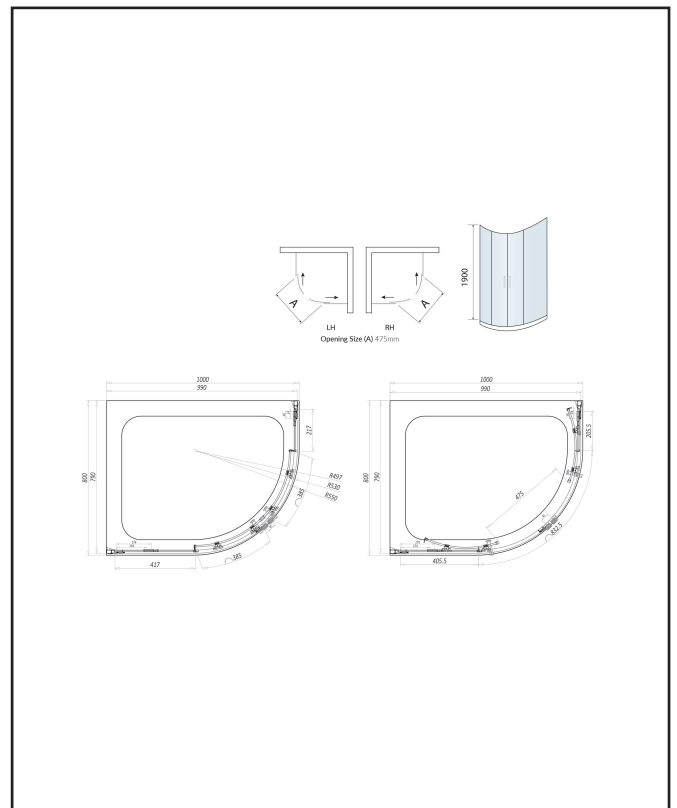


**SCUDO**  
BEAUTIFUL BATHROOMS

0330 124 7290

sales@scudo.co.uk - www.scudo.co.uk

Scudo is the trading name of Harrison Bathrooms Ltd. Whilst we endeavour to ensure that the product information is accurate we accept no liability for any information given. All images are for illustration purposes only. Product images and specification are subject to change. Measurement are in millimetres and are nominal.



## Dimensions (measurements in mm)



### LIFETIME GUARANTEE

We are confident in our products and we want our customer to be, we proudly give a lifetime guarantee on our taps and showers, further details can be found on our website