

# PRODUCT DATA SHEET

## Round Dome Slotted Sprung Basin Waste

Product Code: WASTE88



**SCUDO**  
BEAUTIFUL BATHROOMS

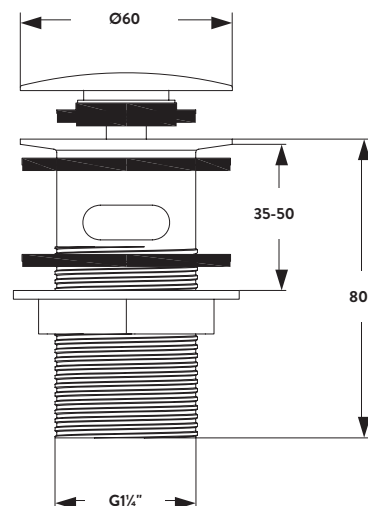
0330 124 7290

sales@scudo.co.uk - www.scudo.co.uk

Scudo is the trading name of Harrison Bathrooms Ltd. Whilst we endeavour to ensure that the product information is accurate we accept no liability for any information given. All images are for illustration purposes only. Product images and specification are subject to change. Measurements are in millimetres and are nominal.

Product Name	WASTE88
Product Description	Round Dome Slotted Sprung Basin Waste - EASY CLEAN
Product Transportation	
Barcode	5060500641481
Country of origin	CH
Commodity code	8481804090
Product Measurements	
Product Weight (KG)	0.41
Product Width (mm)	60
Product Height (mm)	80
Product Depth (mm)	0
Product Length (mm)	60
Primary Packed Measurements	
Packaged Weight	0.45
Packed Length	7
Packed Width	7
Packed Height	10.5
Packaging Weights	
Card (kg)	0.051
Paper (kg)	0
Wood (kg)	0
Plastic (kg)	0
Compliance DOP	HBDOC034 , HBDOC035

General Information	
Construction Material	Stainless Steel
Installation type	Basin Waste
Colour / Finish	Chrome
Waste Attributes	
Type	Basin Waste
Slotted or Unslotted	Slotted
Connection	Threaded Nut
Function	Clicker
Length of Overflow Hose (mm)	N/a
Trap Attributes	
Inner Pipe Length (mm)	0
Outer Pipe Length (mm)	0
Connection type	0



**Dimensions**  
(measurements in mm)



### LIFETIME GUARANTEE

We are confident in our products and we want our customer to be, we proudly give a lifetime guarantee on our taps and showers, further details can be found on our website