

PRODUCT DATA SHEET

Brushed Brass Enclosure Double Door Quad

Product Code: S6-BBGLASS002

Product Name	S6-BBGLASS002
Product Description	Brushed Brass 6mm 800mm Double Door Quad (1900mm)
Product Transportation	
Barcode	5060964935713
Country of origin	CH
Commodity code	7610909095
Product Measurements	
Product Weight (KG)	40
Product Width (mm)	890
Product Height (mm)	1900
Product Depth (mm)	6
Product Length (mm)	890
Primary Packed Measurements	
Packaged Weight	42.5
Packed Length	2000
Packed Width	500
Packed Height	155
Packaging Weights	
Card (kg)	1.9
Paper (kg)	0.12
Wood (kg)	N/a
Plastic (kg)	0.376
Compliance DOP	N/a

General Information	
Construction Material	Aluminium, Glass
Installation type	Wall Mounted
Colour / Finish	Brushed Brass, Clear Glass
Enclosure Attributes	
Adjustment	870-890
Toughened Glass	Yes
Aqua-Shield (easy clean)	Yes
Hinge Type	Slider
Door Type	Double Door
Frame Type	Framed
Glass Type	Clear
Radius	550
Entry Width	530
Door in swing (°)	N/a
Door Out Swing (°)	N/a
Enclosure Shape	Quadrant
Glass Thickness (mm)	Fixed 5mm, Moving 6mm
Profile Finish / Colour	Brushed Brass
Profile Material	Aluminium

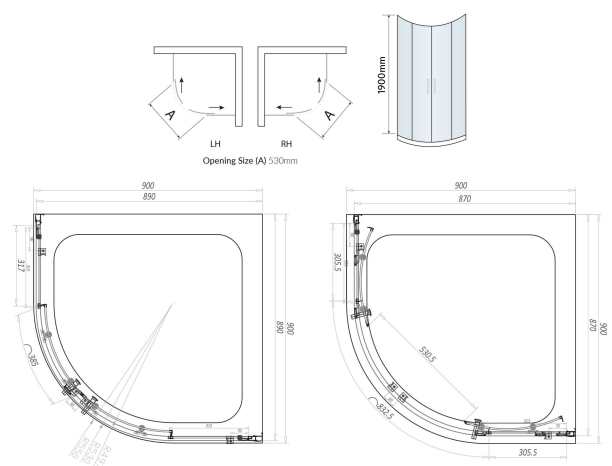


SCUDO
BEAUTIFUL BATHROOMS

0330 124 7290

sales@scudo.co.uk - www.scudo.co.uk

Scudo is the trading name of Harrison Bathrooms Ltd. Whilst we endeavour to ensure that the product information is accurate we accept no liability for any information given. All images are for illustration purposes only. Product images and specifications are subject to change. Measurements are in millimetres and are nominal.



Dimensions

(measurements in mm)



LIFETIME GUARANTEE

We are confident in our products and we want our customer to be, we proudly give a lifetime guarantee on our taps and showers, further details can be found on our website