

# Installation

1. Brass angle valve(G1/2")

2. Fixation frame

3. HDPE cover

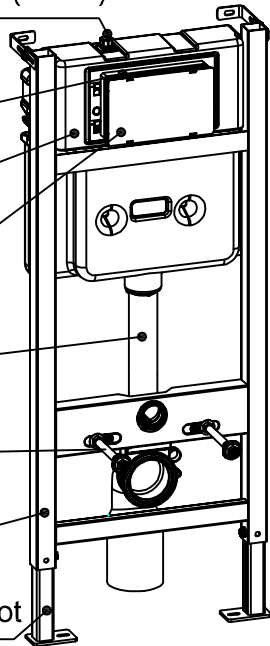
4. Protection cover

5. L pipe

6. Screw unit

7. Metal frame

8. Flexible frame foot



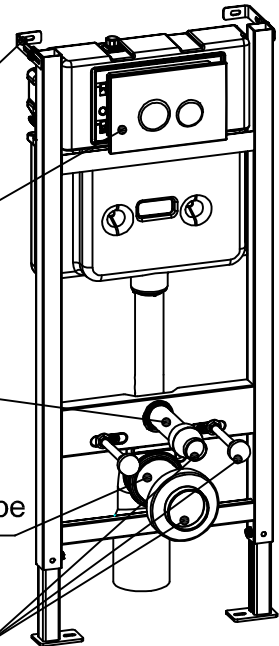
9. Fixation parts

10. Push plate

11. Connection pipe

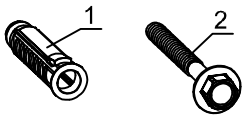
12. Horizontal drain pipe

13. Decoration cover

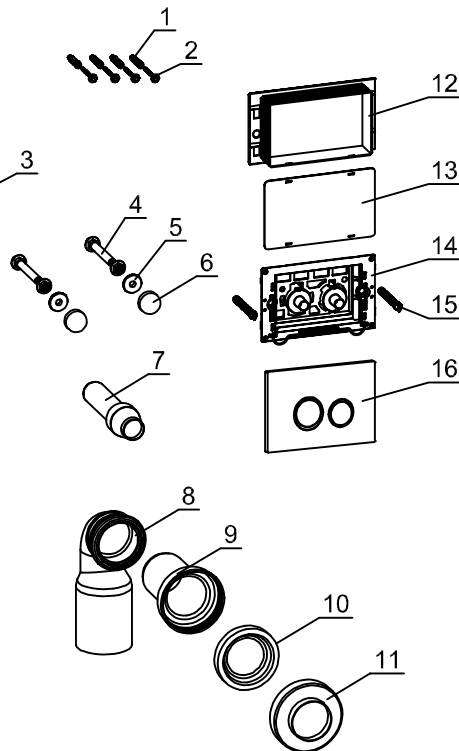
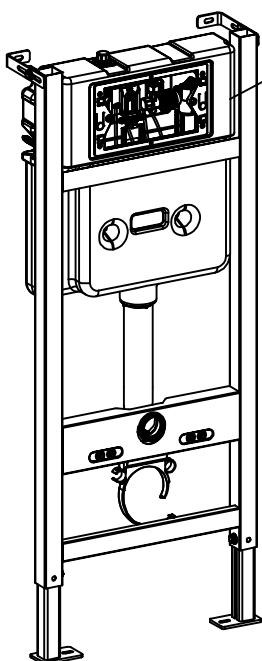


## Attention !

Before using, turn on the water and clean the silt and mud in the cistern if any.

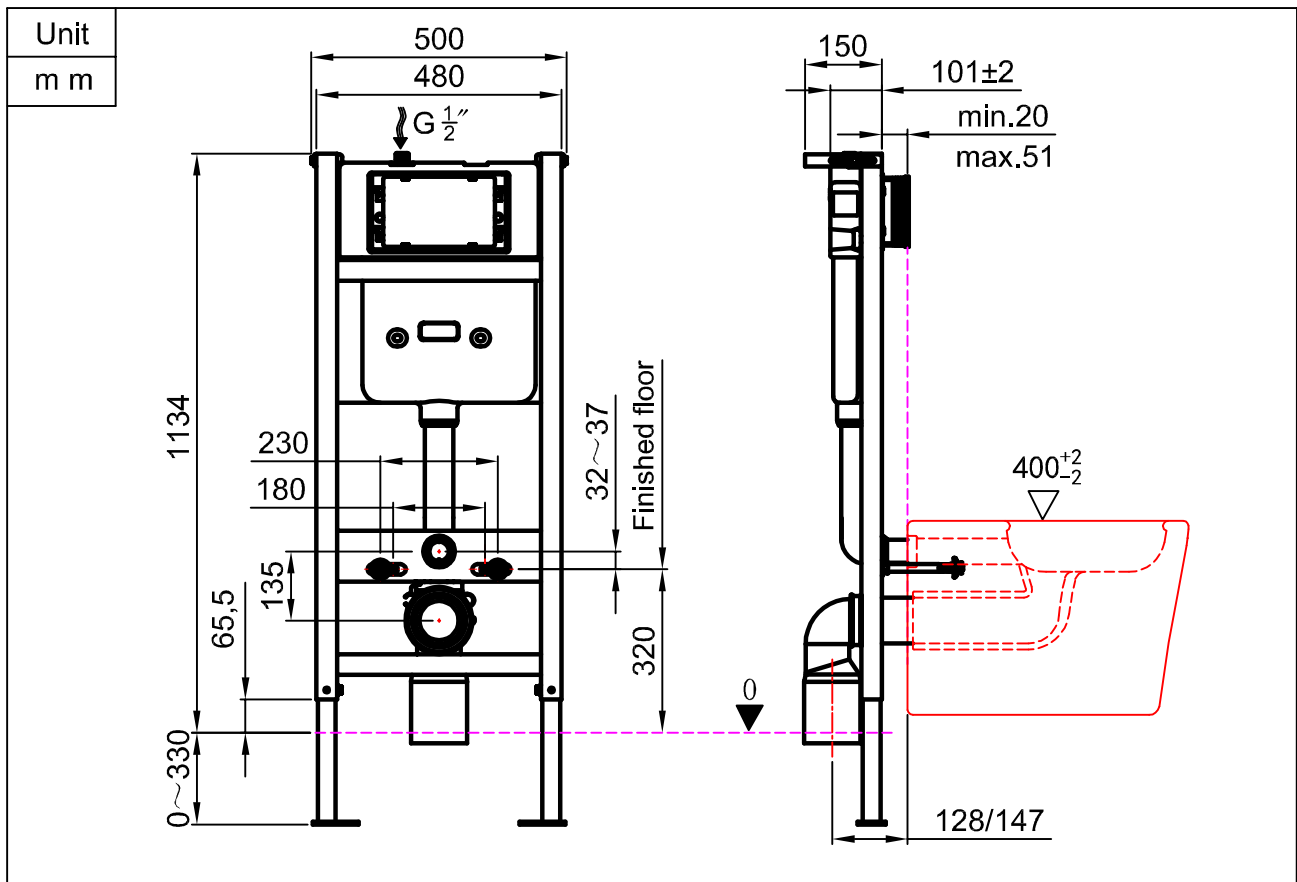


Amplification  
Scale:1:6



No.	Name	Quantity
1	Screw socket	4
2	Screw	4
3	Tank+Metal Frame	1
4	Bolts	2
5	Washer	2
6	Cap	2
7	Inlet pipe	1
8	L Drainer Pipe	1
9	Drainer Pipe	1
10	Rubber Gasket	1
11	Drainer pipe Protection cap	1
12	Assemble Frame	1
13	Tank Protection cap	1
14	Control system	1
15	Bolts	2
16	Flush Plate(option)	1

# Installation



**1**

Assemble the fixation frame to tank in correct position, As picture 1

**“Click”**

Assemble: Push down the fixation frame, keep the hole with hold the button up.  
Disassemble: Press the raised round button, and push the fixation frame up.

**2**

Screw the angle metal parts, bolts (each 2 pcs), hex nut and washer (each 2 pcs) to the metal frame and fix tightly.

**3**

Loosen the 2 screws on the metal frame feet counter-clockwise by wrench, and adjust the metal frame height needs, then tighten the 2 screw. As picture 1 and 2

**4**

Position the 90-degree soil elbow into the securing clip and lock the clip into the closed position indicated by a loud “click”.

**5**

Check the rear of your chosen toilet pan and measure the distance between the bolt holes for the securing bolts. Insert the 2 bolts (part number 4) into the correct bolt holes within the wall frame structure ready for attaching the toilet pan.

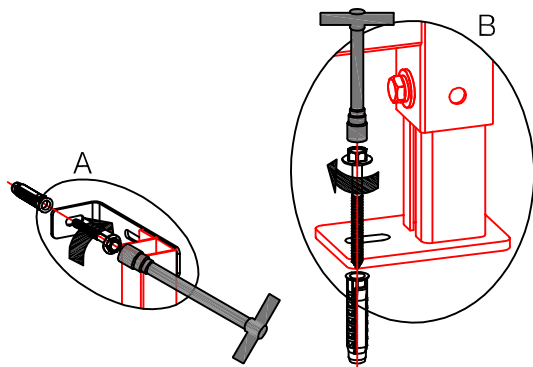
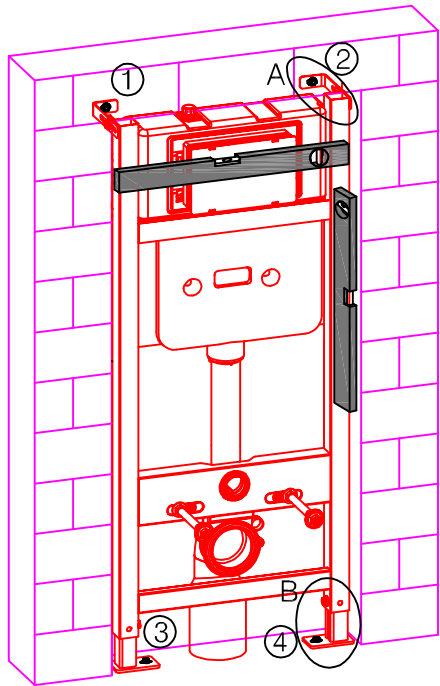
**6**

Position the frame within the cabinet and mark up the appropriate fixing points ready for drilling and screwing.

**7**

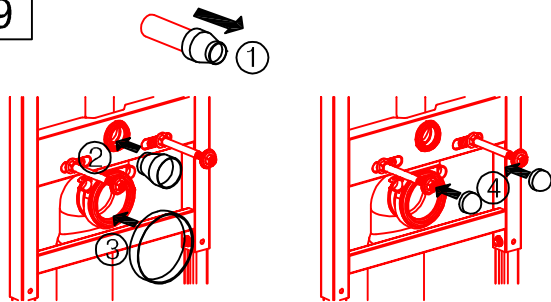
Using appropriately sized drill bits & screws, secure the cabinet in your chosen location.

8



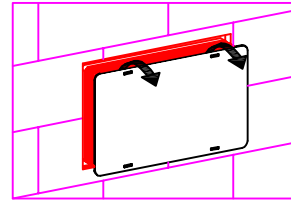
Secure the frame kit into the cabinet using supplied securing bolts & fixings.

9



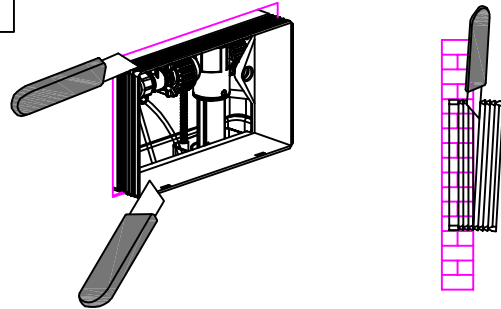
Prepare the soil pipe by cutting to the correct length and insert into the frame kit ready for the installation of the toilet pan.

10



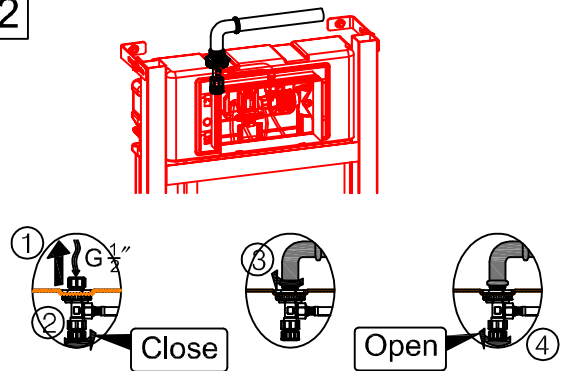
After assembled and finished decoration, take out the protection cover

11



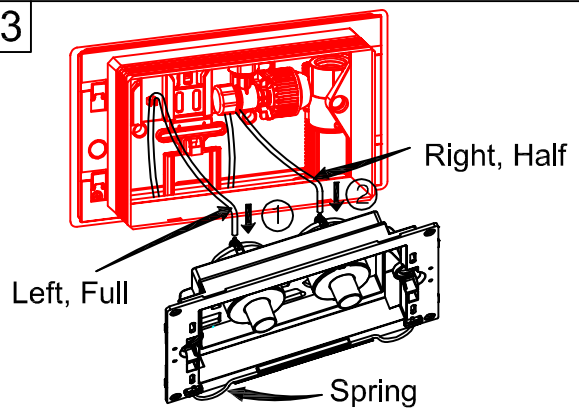
Cut off the extra raised parts by blade.

12



Loosen the angle valve, connect the inlet pipe to the angle valve. Angle valve diameter: G1/2

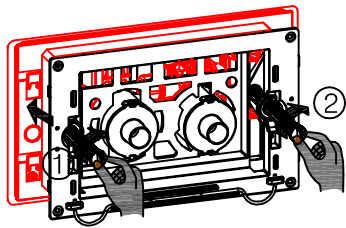
13



Connect the vacuum pipes to the appropriate fixings marked right & left. Lift the spring clip to secure the flush plate into the frame.

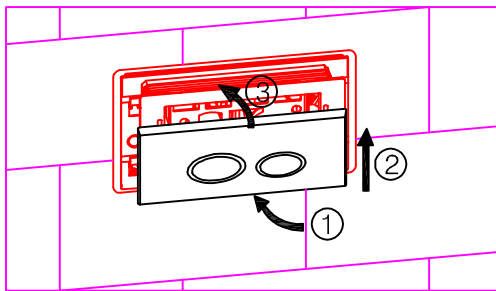
# Installation

14

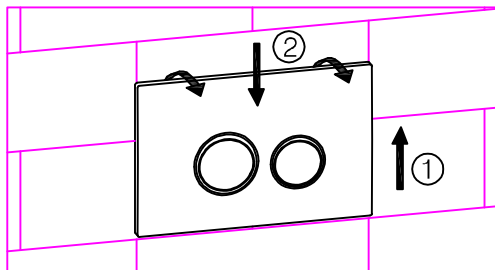


Secure the assembly using the bolts provided.

15

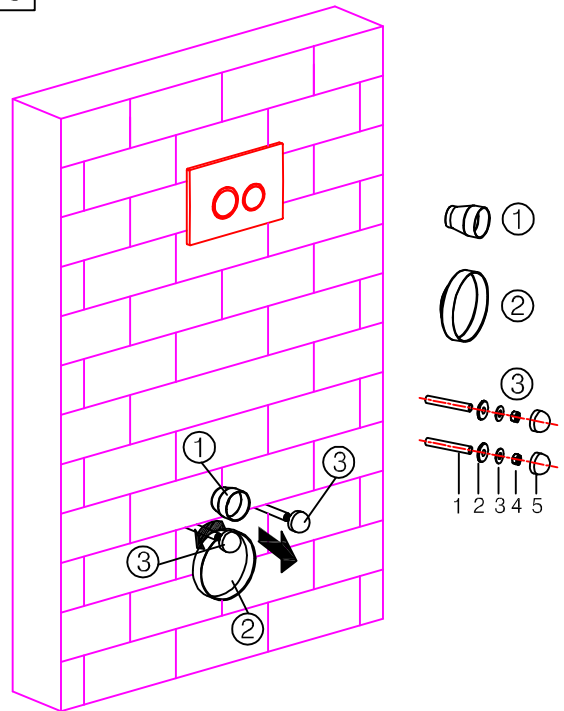


Once the toilet is installed and the front panel secured, fit the flush panel control.



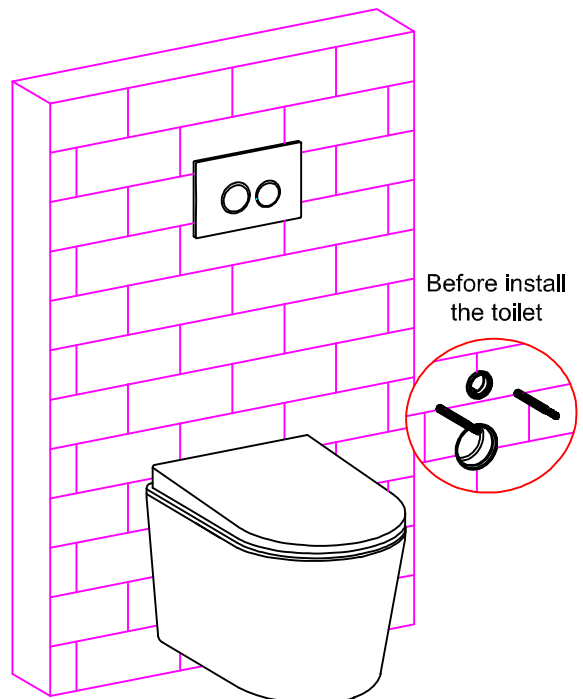
Disassembly: As per illustration ①, push the button plate upward and then pull it out as per illustration ②.

16



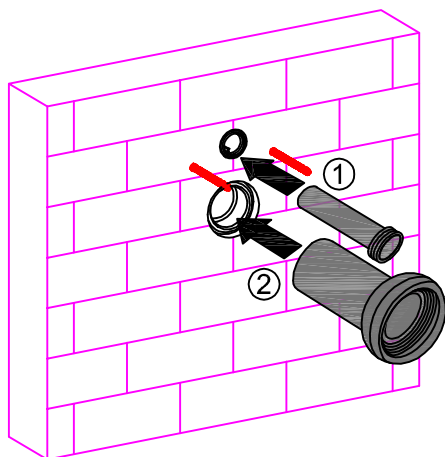
Prepare the frame kit ready to accept the toilet pan.

17



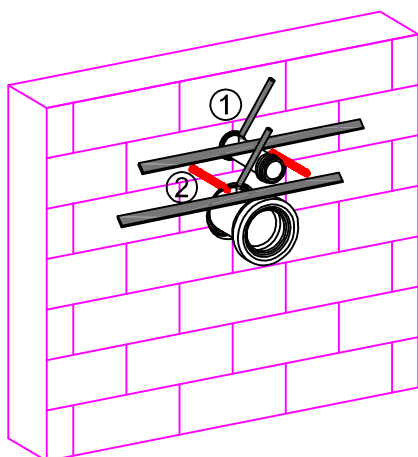
# Installation

1



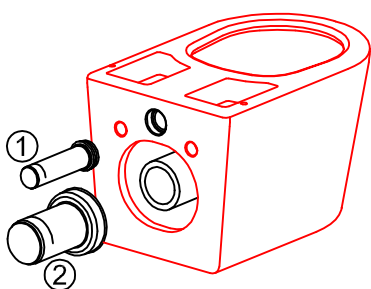
Insert both the soil & flush pipes into the joints.

2



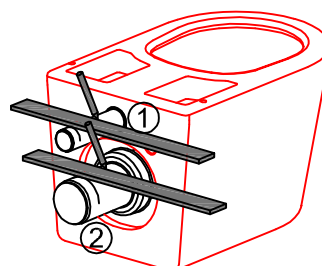
Measure the pipe lengths required and mark accordingly.

3



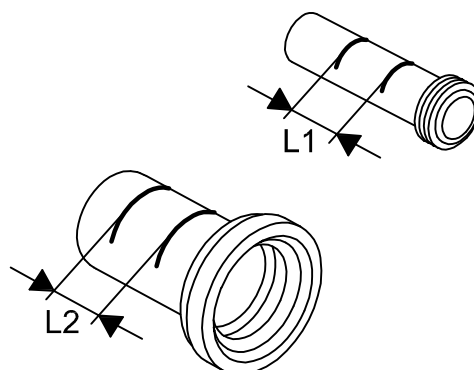
Fit the pipes to the toilet pan.

4



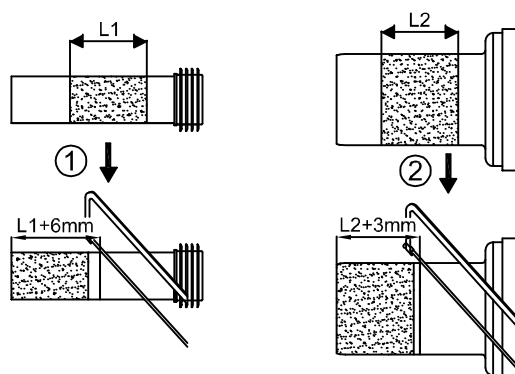
Mark pipes accordingly to size.

5



Check both pipes to ensure they are the correct length.

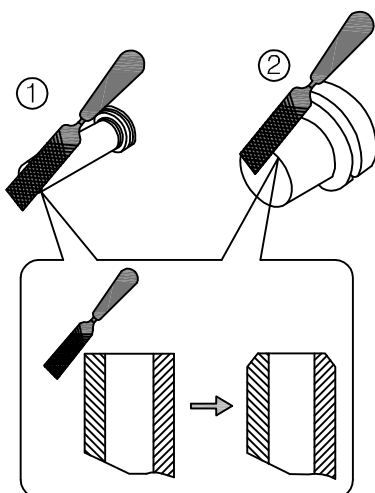
6



Cut pipes to length.

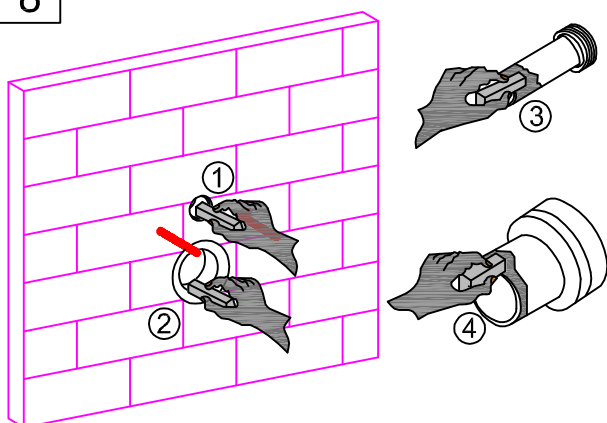
# Installation

7



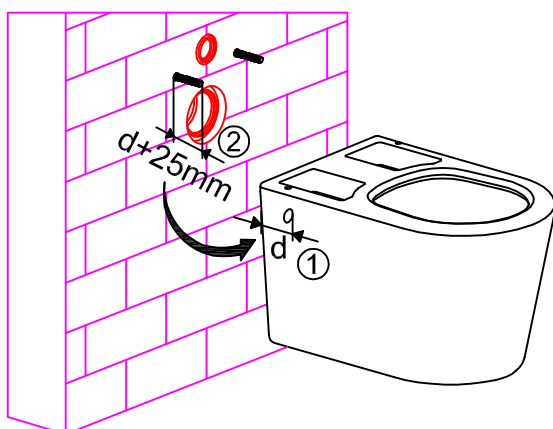
Using a file, chamfer the end of the pipes to enable ease of install into the sockets.

8



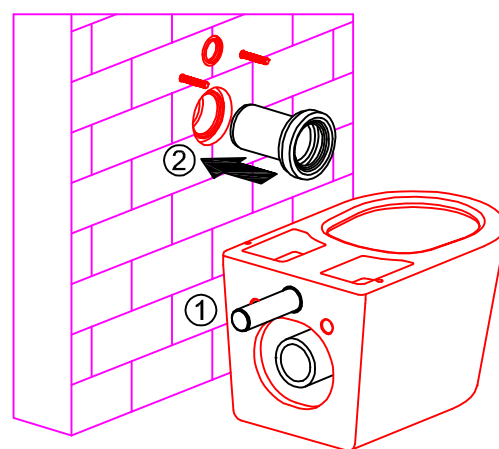
Lubricate the pipes prior to inserting into the sockets.

9



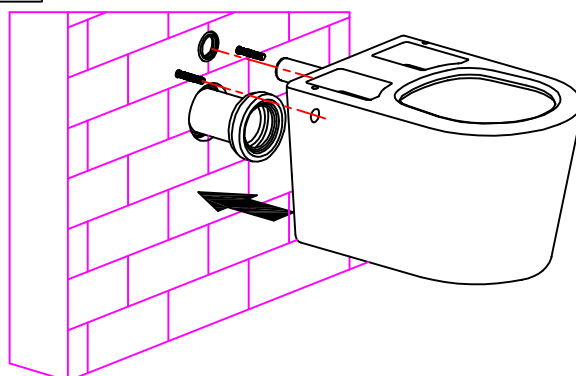
As per illustration ①, measure the size of  $d$ . Hang the toilet to the 2 screw bolts which needs to be 25mm longer than the size of  $d$ .

10



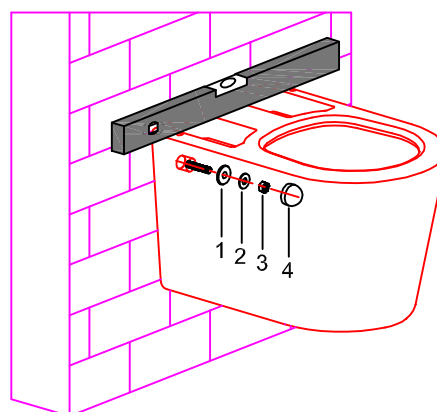
As per illustration ①, insert the the straight inlet pipe with rubber sealing into the inlet hole of toilet. As per illustration ②, insert the horizontal drainpipe into the vertical drainpipe in the wall. Attention ! Make sure to insert and install in place.

11



Secure toilet pan on to the studs and connect the waste pipes.

12



Check for level and tighten bolts.