

A

B

C

D

E

F

A

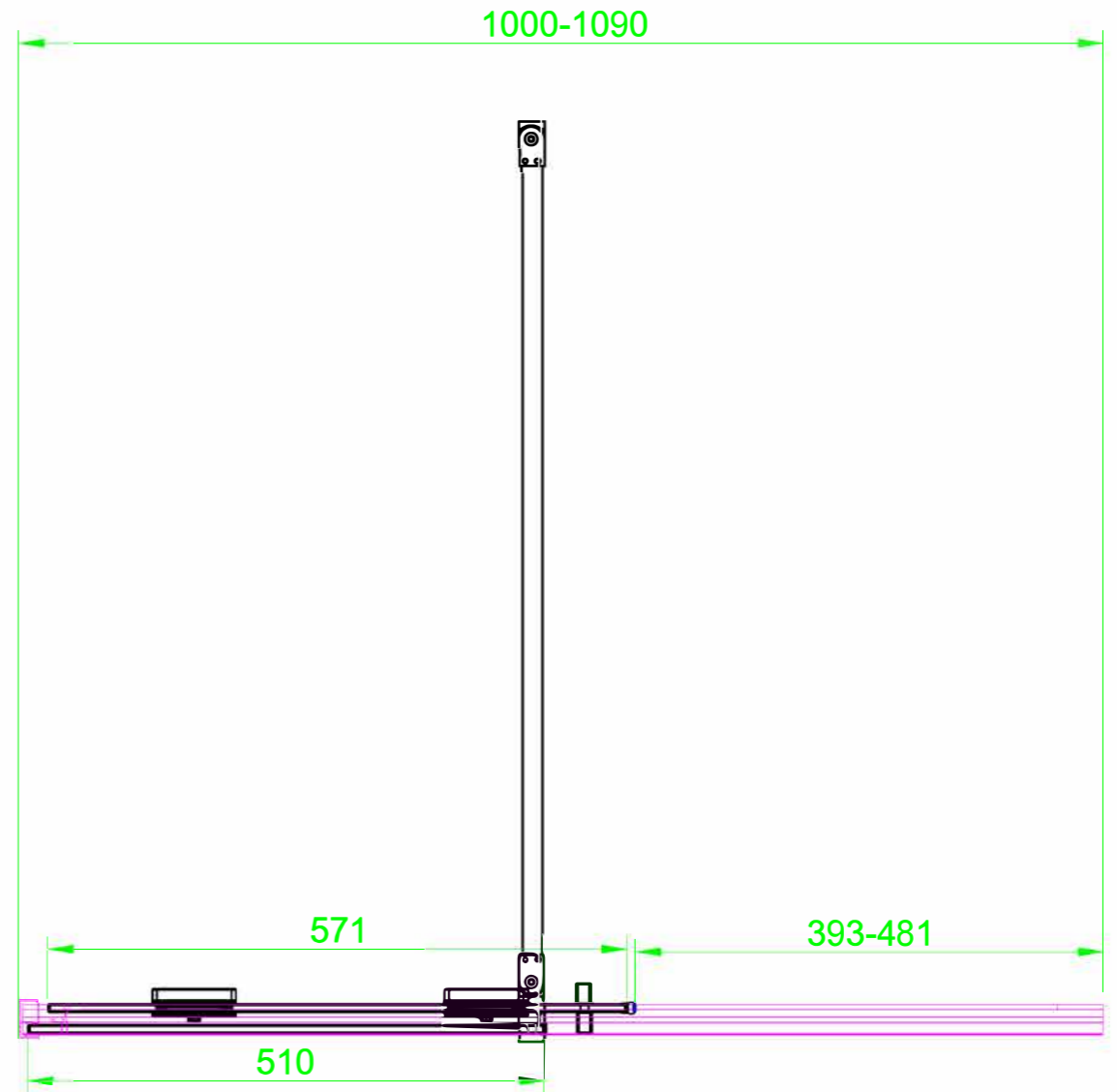
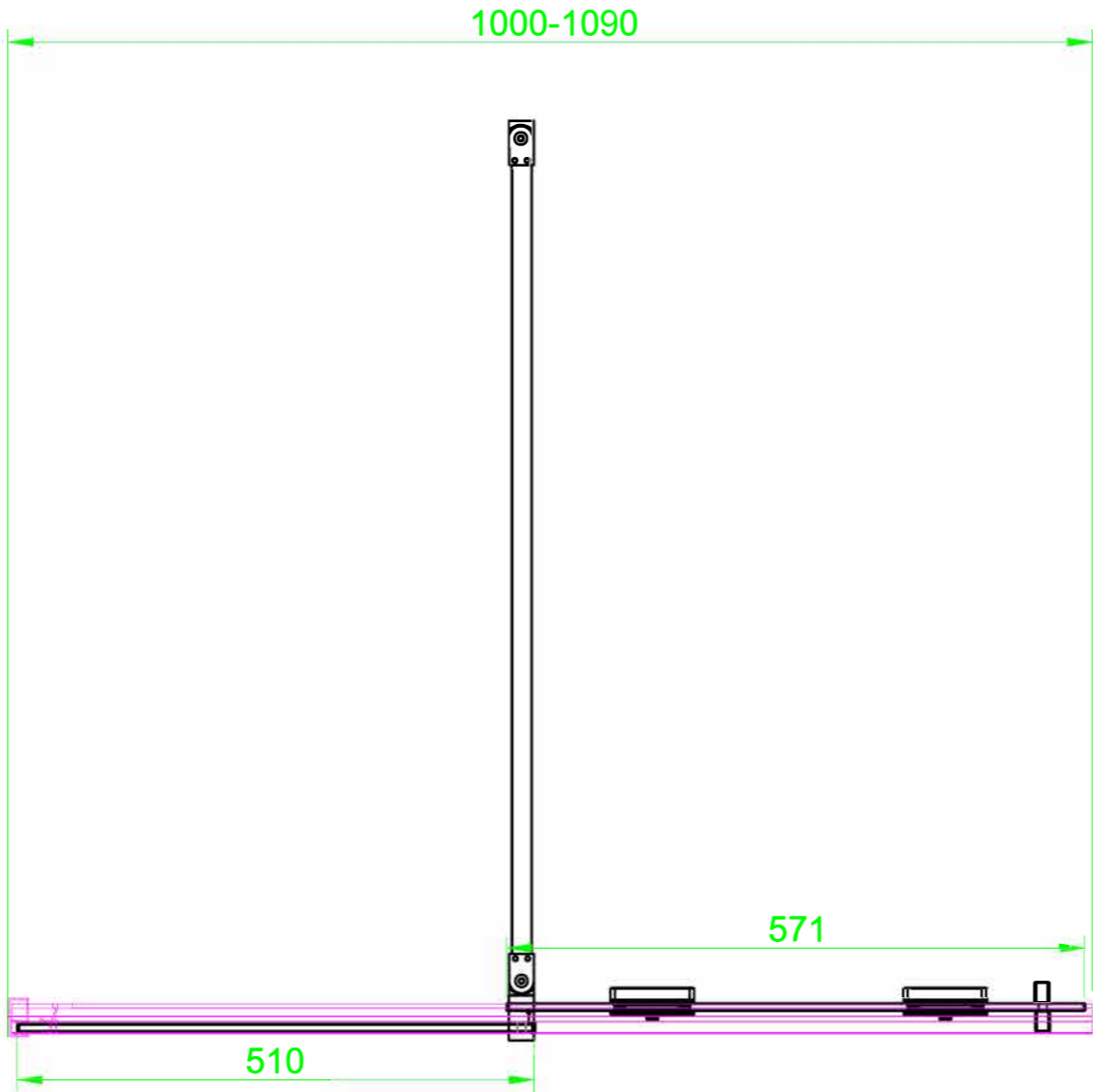
B

C

D

E

F



**HARRISON**  
BATHROOMS

THE INFORMATION CONTAINED IN THIS DRAWING IS THE SOLE PROPERTY OF HARRISON BATHROOMS CO., LTD. ANY REPRODUCTION IN PART OR AS A WHOLE WITHOUT THE WRITTEN PERMISSION OF HARRISON BATHROOMS CO., LTD IS PROHIBITED.

	NAME	SIGNATURE	DATE	
DRAWN				UNLESS OTHERWISE SPECIFIED: DIMENSIONS ARE IN MILLIMETERS SURFACE FINISH: TOLERANCES: ±0.5mm LINEAR: ANGULAR:
CHK'D				
APPV'D				
MFG				
Q.A				
				FINISH:
				MATERIAL:
				DEBUR AND BREAK SHARP EDGES
				WEIGHT:
DO NOT SCALE DRAWING			REVISION	01

IF IN DOUBT ASK!

CUT SIZE :-  
FINISH SIZE:-

TITLE:  
**1100x900**

DWG NO. A3