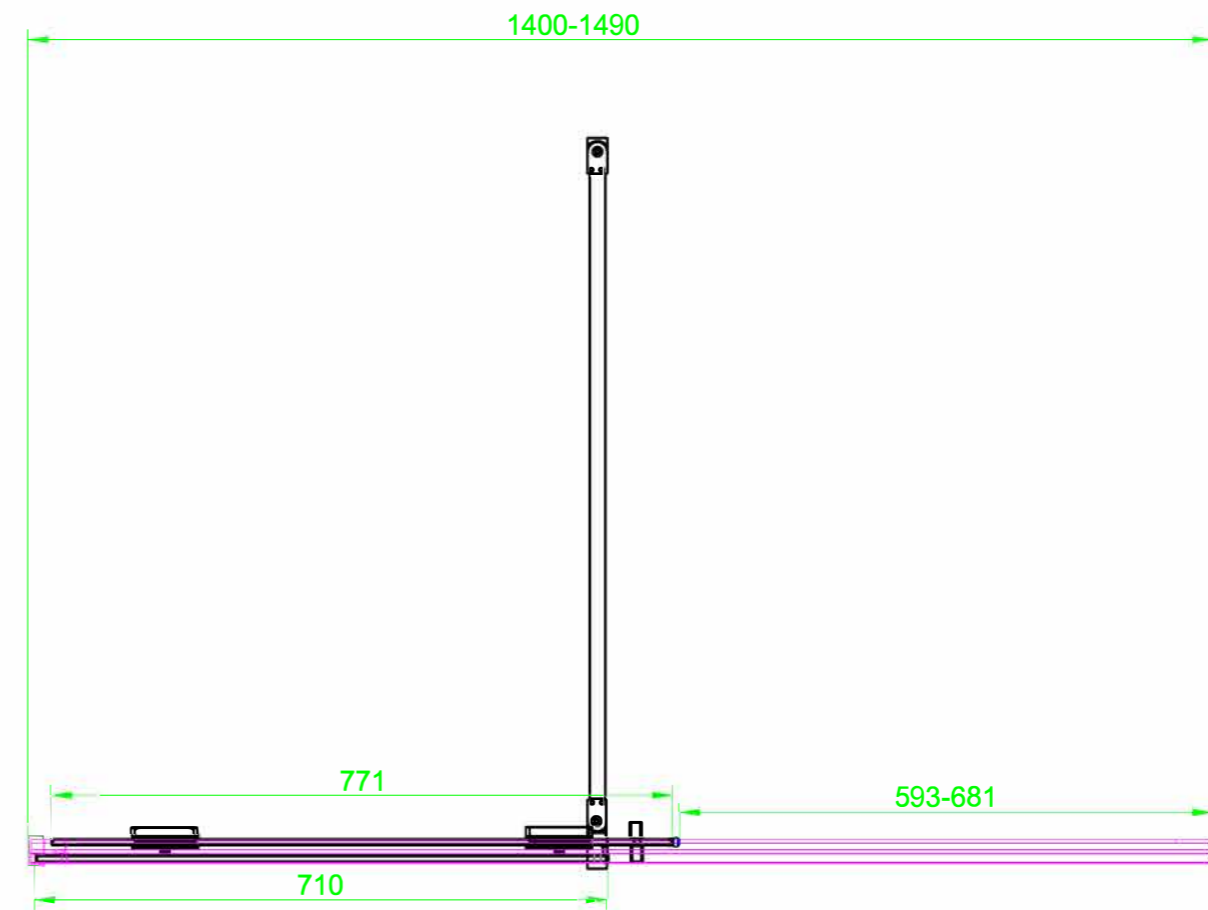
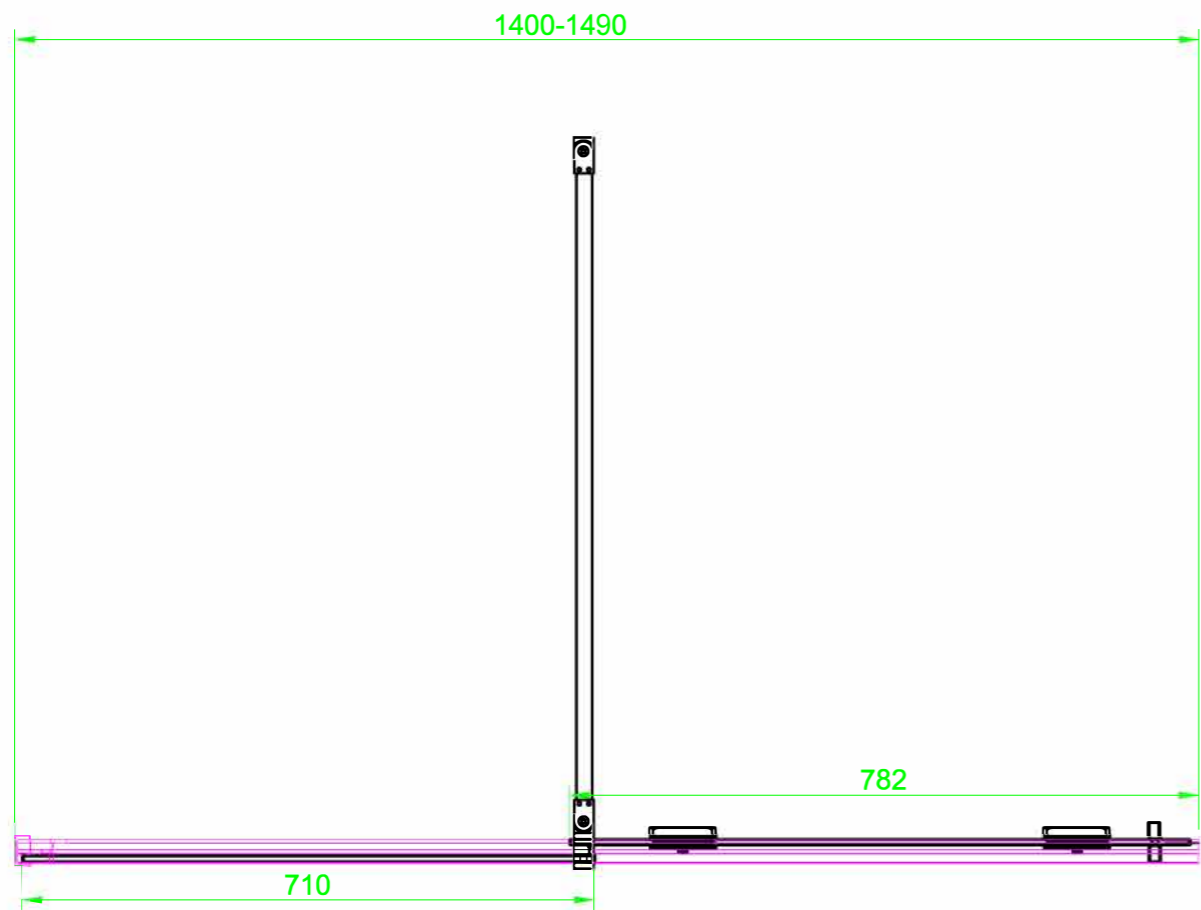


A  
B  
C  
D  
E  
F

A  
B  
C  
D  
E  
F



THE INFORMATION CONTAINED IN THIS DRAWING IS THE SOLE PROPERTY OF HARRISON BATHROOMS CO., LTD. ANY REPRODUCTION IN PART OR AS A WHOLE WITHOUT THE WRITTEN PERMISSION OF HARRISON BATHROOMS CO., LTD IS PROHIBITED.

NAME	SIGNATURE	DATE	
DRAWN			UNLESS OTHERWISE SPECIFIED: DIMENSIONS ARE IN MILLIMETERS SURFACE FINISH: TOLERANCES: ±0.5mm LINEAR: ANGULAR:
CHK'D			
APPV'D			
MFG			
Q.A			
			FINISH:
			MATERIAL:
			DEBUR AND BREAK SHARP EDGES
			WEIGHT:
DO NOT SCALE DRAWING			REVISION 01

IF IN DOUBT ASK!	CUT SIZE :-	
	FINISH SIZE:-	
TITLE: <b>1500x900</b>		
DWG NO.		<b>A3</b>
SCALE	SHEET1 OF1	