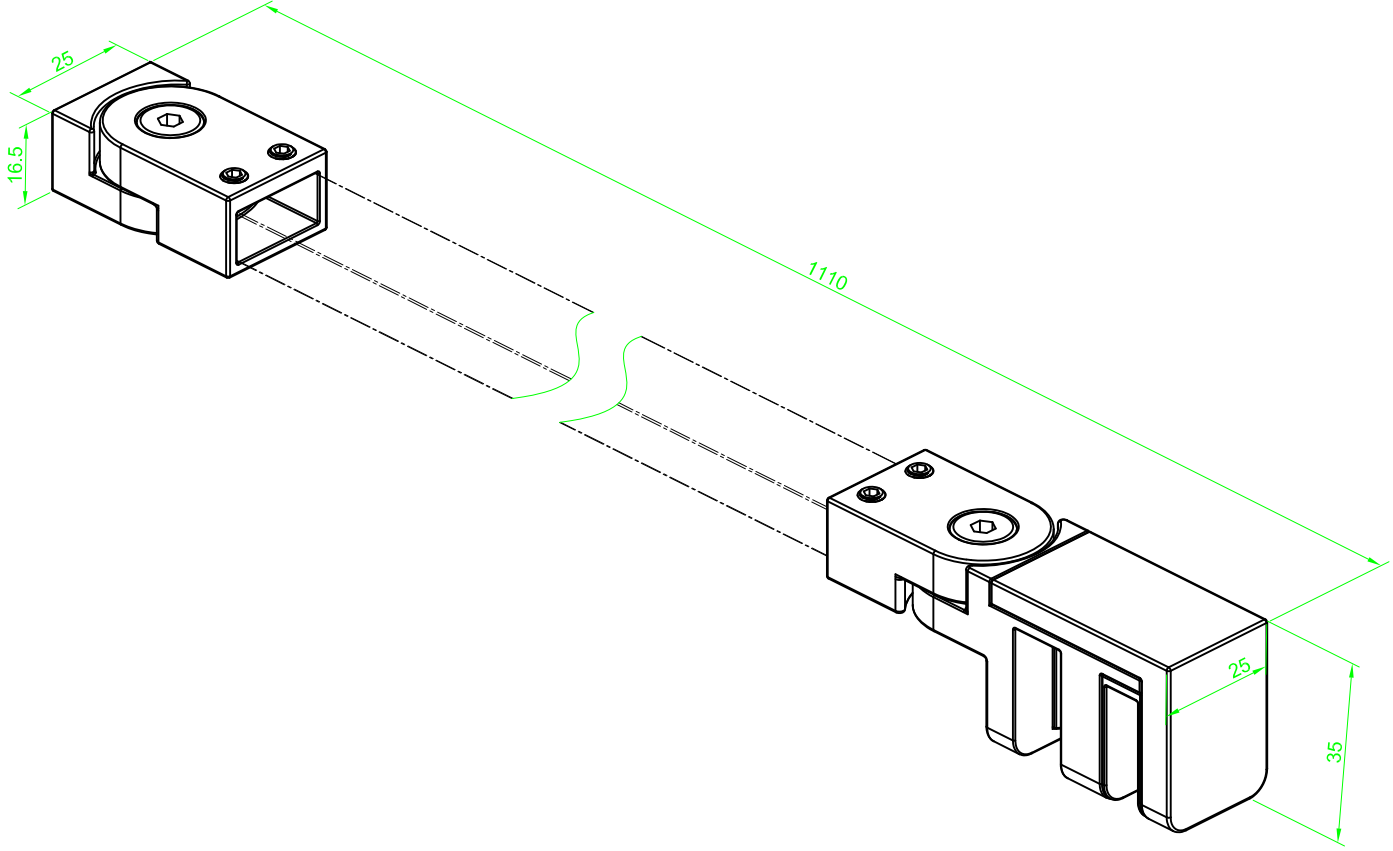


A
B
C
D
E



THE INFORMATION CONTAINED IN THIS DRAWING IS THE SOLE PROPERTY OF HARRISON BATHROOMS CO., LTD. ANY REPRODUCTION IN PART OR AS A WHOLE WITHOUT THE WRITTEN PERMISSION OF HARRISON BATHROOMS CO., LTD IS PROHIBITED.

	NAME	SIGNATURE	DATE	
DRAWN				UNLESS OTHERWISE SPECIFIED: DIMENSIONS ARE IN MILLIMETERS SURFACE FINISH: TOLERANCES:±0.5mm LINEAR: ANGULAR:
CHK'D				
APPVD				
MFG				
Q.A				FINISH:
				MATERIAL:
				DEBUR AND BREAK SHARP EDGES
				WEIGHT:
DO NOT SCALE DRAWING			REVISION	01

IF IN DOUBT ASK!	CUT SIZE :-	
	FINISH SIZE:-	
TITLE:		
DWG NO.	A3	