



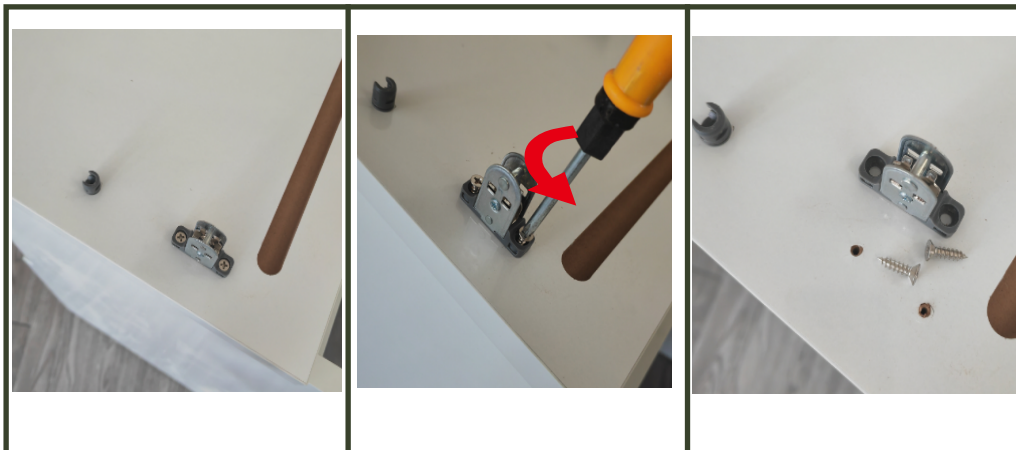
1. Begin by opening the drawer and removing all items from inside. Pull back the dark grey cover clips on the support arm to reveal the thread.



2. Lift the support arms to loosen the support from the drawer. Locate and remove the dark grey cover caps from the side of the drawer.



3. Using a posidrive screwdriver, insert screwdriver into the area shown above and **press down from the drawer panel**. This will now release the drawer panel.



4. Place the released drawer on the ground with the drawer clips facing up. Insert screwdriver and twist Anti-Clockwise to release tension and remove.

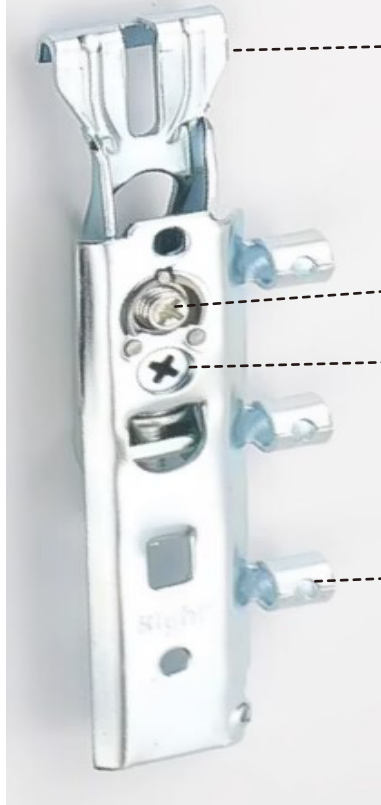
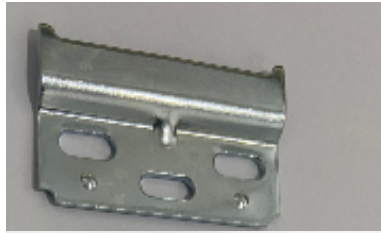
5. Fitting a New Drawer

Keep the fitting clip and screws from the previous drawer. Your new drawer is pre-drilled with clip holes. So you may only need to :

- fi Place the fitting clip.
- fi Use screwdriver to lock it in place with screws.

Now repeat the previous steps **in reverse** to fit your new drawer.

Mounting Bracket



Hanger

Clamp

Adjustment

Unit Inserts



1. Locate and insert the Mounting Bracket (if not already in place). Make sure the Hanger is facing the wall side as displayed in the second image. Once in position, fix the Mounting Bracket with screw (already provided) to secure the Mounting Bracket as shown in the third image.



2. Measure the position for the wall hangers and screw into position. Place the Mounting Bracket hangers onto both the Wall Hangers as shown here (right).

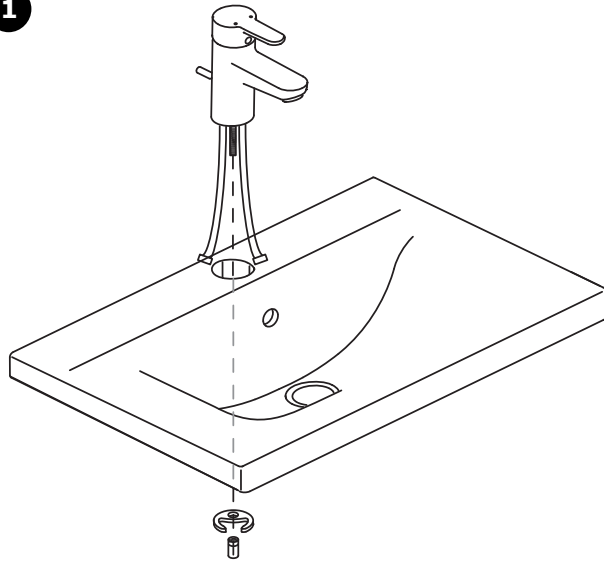
3. Now tighten the Hanger first and then the Clamp by turning **both clockwise**. Once both are tight, there should be no movement.

The adjustment screw can be used to lower or heighten the unit by 10mm.

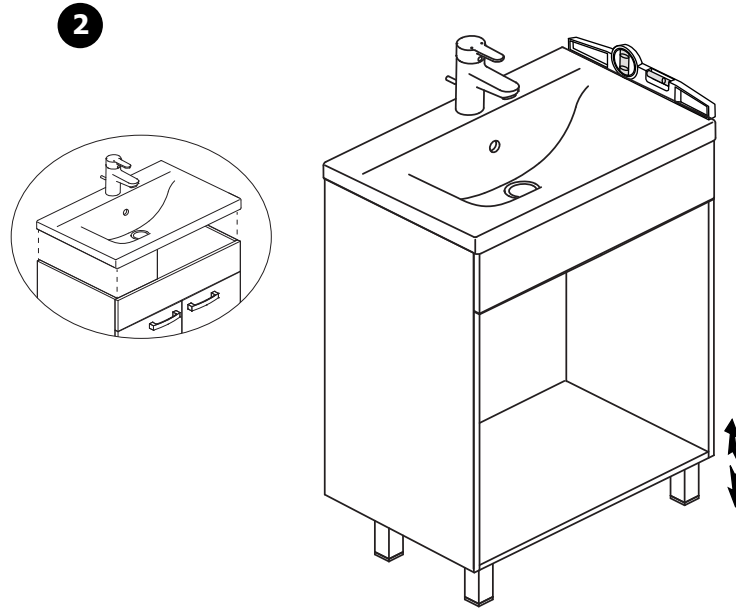


Basin Installation Instructions

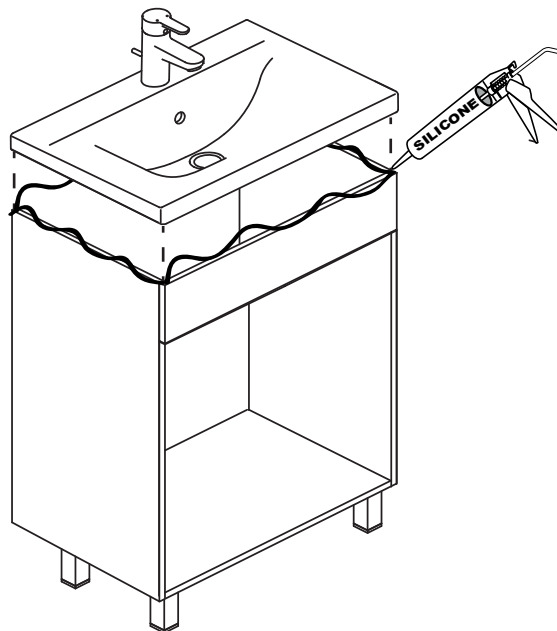
1



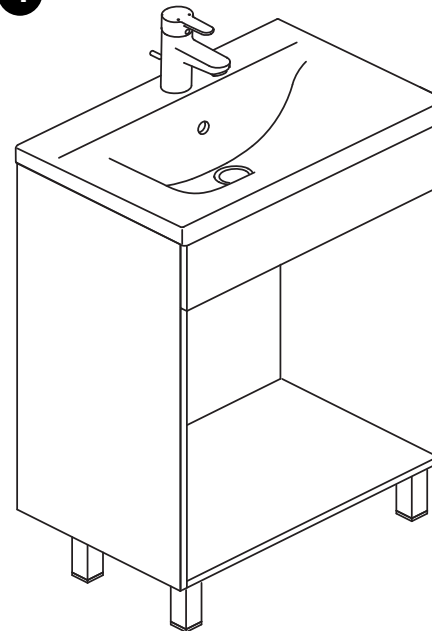
2



3



4



- On receipt of any product, ensure that the product is unboxed carefully and inspected for damages or defects, within one day. In the unlikely event that the product is damaged please report this to retailer. Under no circumstance should the product be installed.
- Do not carry units by their struts/rails.
- Do not compress carcasses or other items up against walls as this may affect the door or draw opening action.
- Avoid the use of strong adhesive tapes, to prevent damage to the laminated surface.
- The manufacturer assumes that the product is being installed by a competent professional. We may ask for the evidence of this.
- The manufacturer assumes that the product is being installed on reasonable level floors and walls. If this is not the case, it is expected the product may not perform optimally.
- Steps must be taken to ensure the product is secured to a suitable surface, i.e. a stud with noggins placed for fixings.
- Glass Warning: Do not strike glass components with hard or pointed items. Do not place very hot or very cold items against or in close proximity to glass surfaces unless an adequately thick insulation material is used to prevent such items coming in contact with the glass. If a glass component becomes chipped or broken, replace immediately.
- Beware of hidden pipes and cables.
- Ensure appropriate PPE is worn.
- Never overload shelves or carcass.
- This furniture is designed for domestic environments only. These environments must be suitably ventilated using an extractor fan, of the appropriate size for the room, which has an overrun function.
- MDF or MFC based bathroom furniture must never be installed close to an un-enclosed shower, or in a wetroom environment with any risk water will come into contact with the product.
- Any cut panel edges must be sealed with a good quality PVA, or silicone based sealant, especially the rear edge of any trimmed worktops or abutments to basins. Failure to do this will invalidate the guarantee.
- All points where worktops or furniture abut walls, floors or basins should be sealed with a bead of silicone to prevent capillary action causing water ingress into the units.
- Any and all spillages must be immediately cleaned and dried to prevent water ingress from occurring.
- Ensure any WC installed to the laminate is fully secured to the floor to prevent the WC from pulling up the veneer.
- Damage caused by water ingress will not be classified as a manufacturing defect as a combination of all the preventative measures, will result in the product lasting a lifetime.