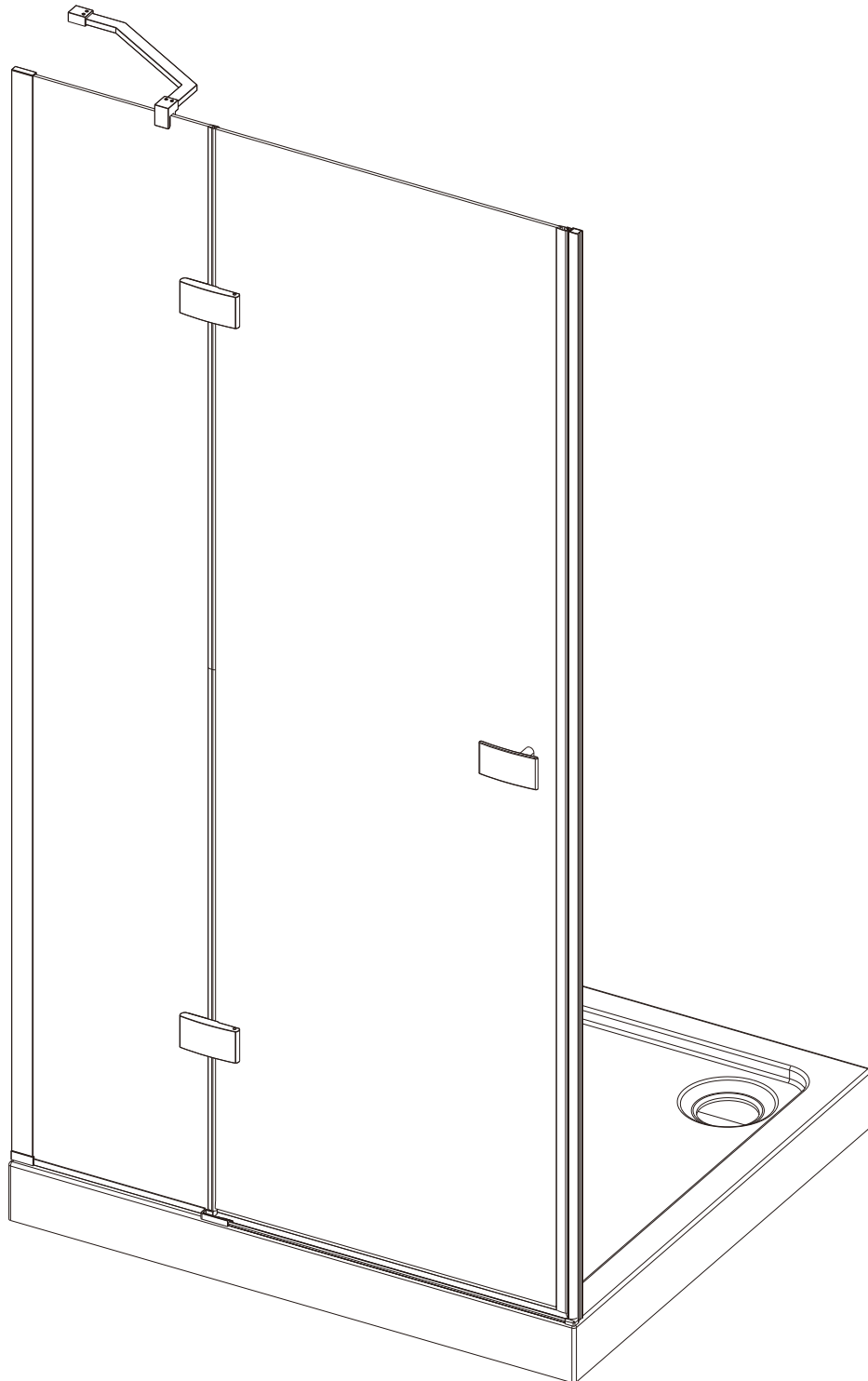
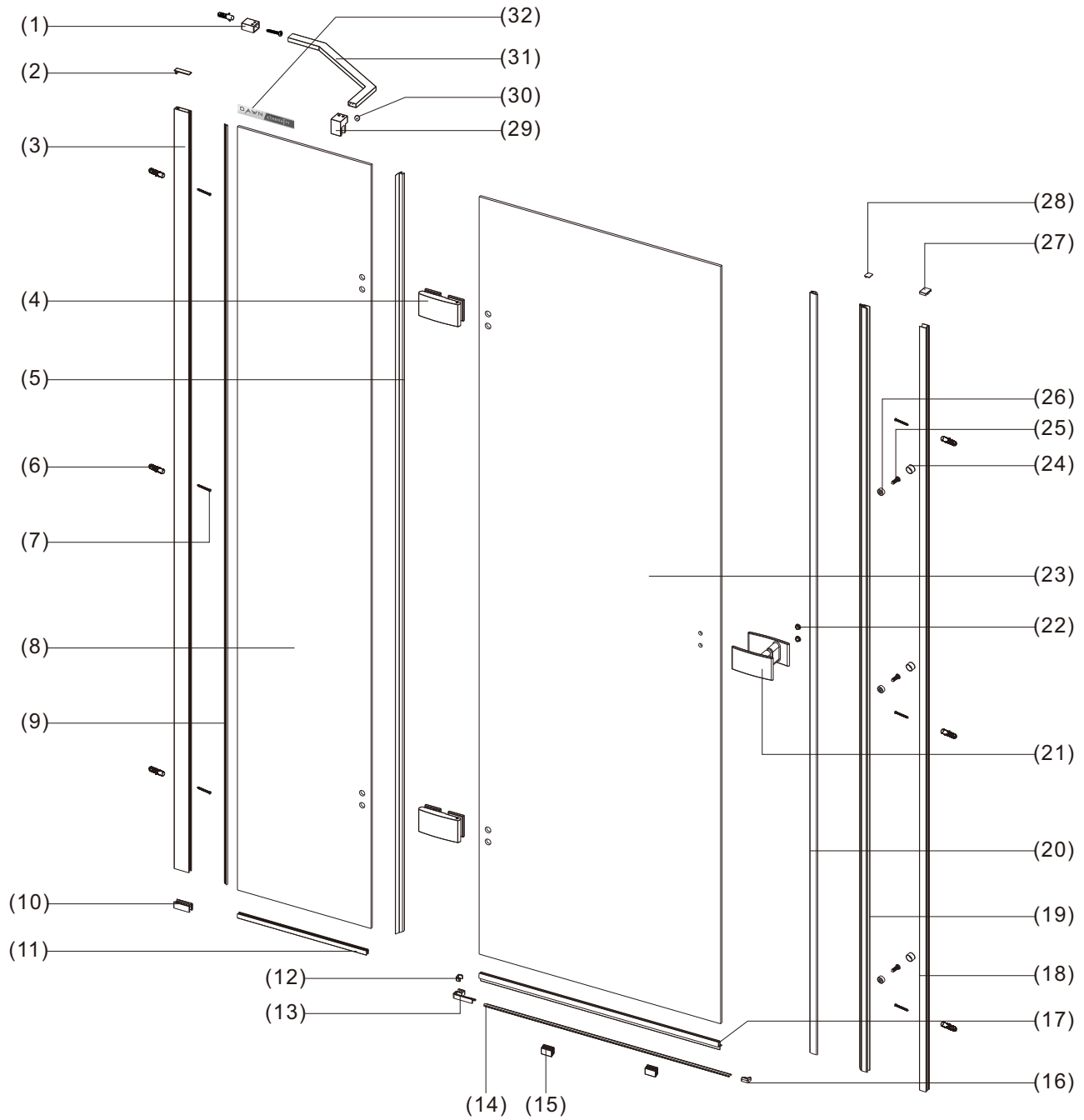


## 6MM CONCEALED HINGE DOOR










# ASSEMBLY INSTRUCTIONS - DRAWING

NB: ALL MEASUREMENTS + COMPONENT SIZES QUOTED ARE IN MM.

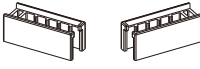


Parts List			Parts List			
1	M05102	Wall Bracket	1	JT0163-6-10/9GTS	Bottom Seal	1
2	N011156	Wall Profile Cover Cap A	1	LR12764	Wall Profile B	1
3	LCT161	Wall Profile A	1	CT0005-H & LR12765	Magnet profile	1
4	M02043	Hinges (Include Screw Caps)	2	CT0034-6H-GT	Magnet seal	1
5	JT0164-6-12GT	Seal For Moving Panel	1	M00075	Handle	1
6	N01135	Wall Plugs	7	N01521	Handle Cover Caps	2
7	M20430	Screws ST4x30	7	B	Moving Panel	1
8	A	Fixed Panel	1	N01041	Screw Cover Caps	3
9	JT0058-2.5T	Wedge Gasket Seal	1	M20412	Screws ST4x12	3
10	N011157 / N011158	Base Of The Wall Profile L&R	1	N01042	Screws Cover Cap Clips	3
11	LCL048	Bottom Drip Strip A	1	N01111 / N01112	Wall Profile Cover Cap B L&R	1
12	N01464	Glass Clip	1	N01110	Magnet Profile Top Cap	1
13	N01465 / N01466	Runa Rail End Cap A L&R	1	M05542	Glass Clamp	1
14	LR12345	Runa Rail	1	N01046	Glass Clamp Cover Cap	1
15	N01882	Support Blocks	2	M03185	Support Bar	1
16	N01114 / N01115	Runa Rail End Cap B L&R	1	M05583	ATHENA Scutcheon	1

# FIXING KIT COMPONENTS


x3	x3	x3	x7	x7	x2	x1
						
N01041	N01042	M20412	N01135	M20430	N01882	N01464

x1




N011157 / N011158

x1




N01465 / N01466

x1












N01114 / N01115

x1



N01111 / N01112


x1	x1	x1	x1	x1	x1	x2	x1	x2
								
N011156	N01110	M03185	N01046	M05542	M05102	M02043	M00075	N01521

x1



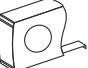


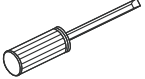

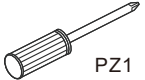

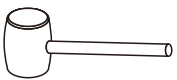



M05583

x1



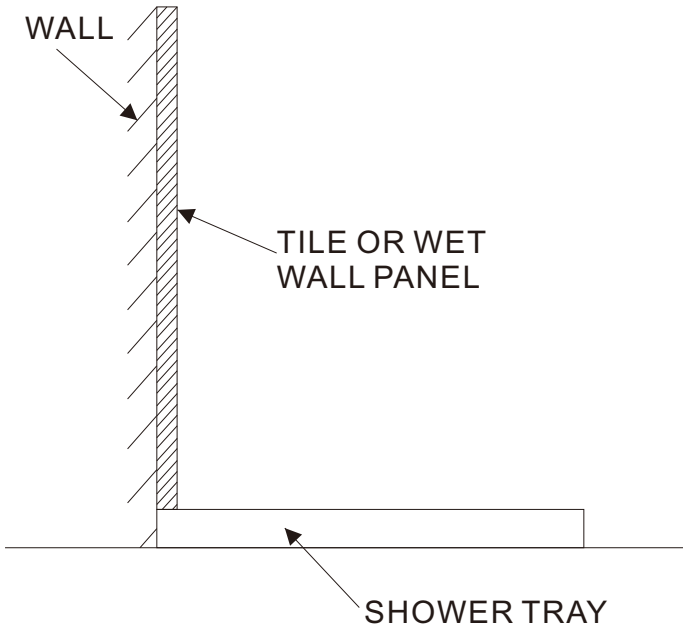
F04009

# TOOLS REQUIRED

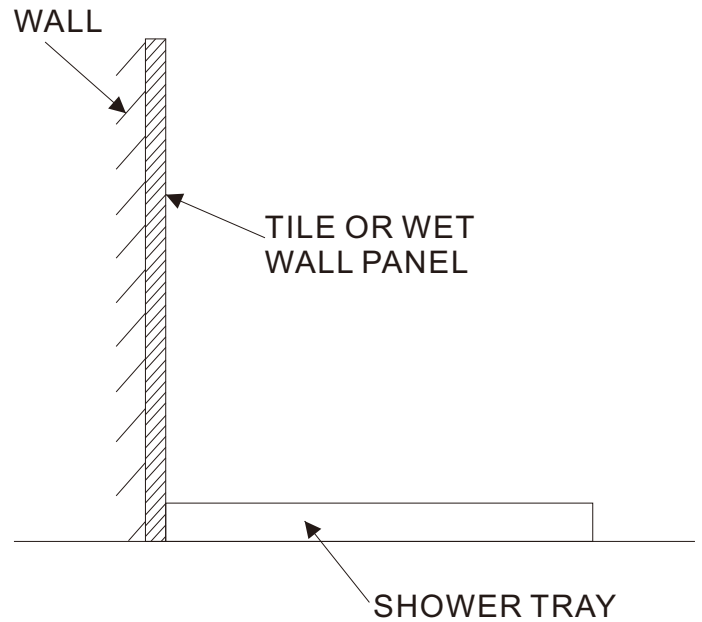
DESCRIPTION	PART IMAGE	DESCRIPTION	PART IMAGE
Tape measure		Drill	
Spirit level		Flat-head Screwdriver	
Pencil		Cross head Screwdriver	 PZ1
Ø6mm,Ø3mm Drill bit		Mallet	
Ø2,Ø2.5,Ø3,Ø4 Allen Key		Silicone Sealant	
Spanner			

STEP 1 DRAWING TO SHOW CORRECT SHOWER TRAY INSTALLATION

**YES** ✓

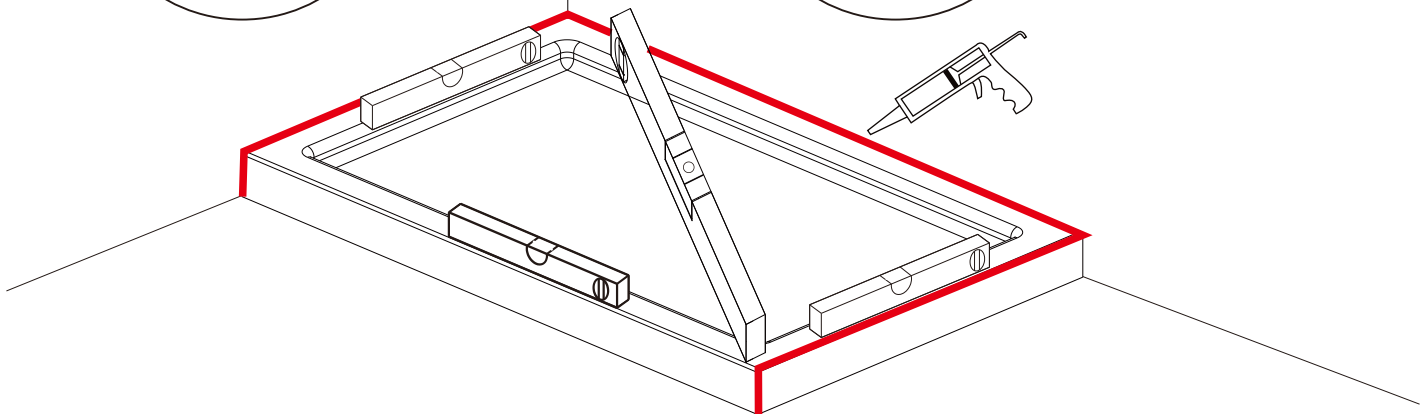
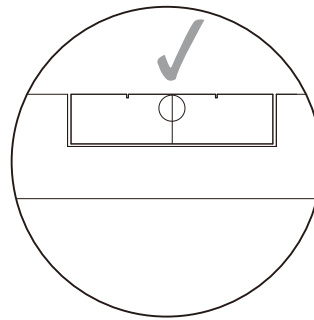
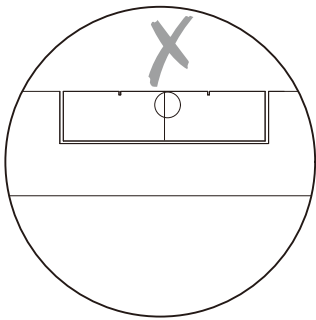


**NO** ✗



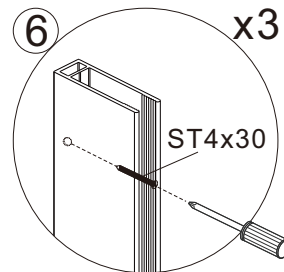
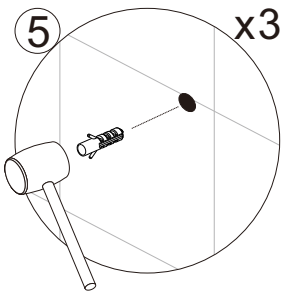
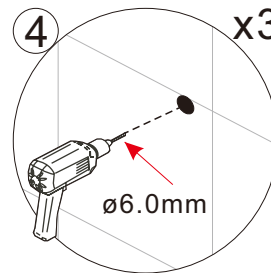
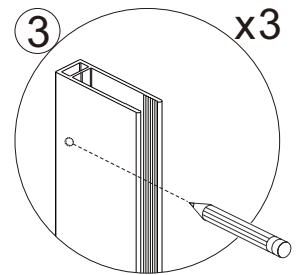
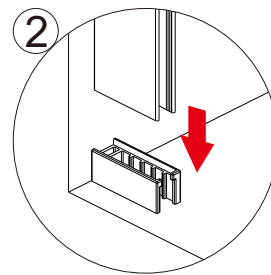
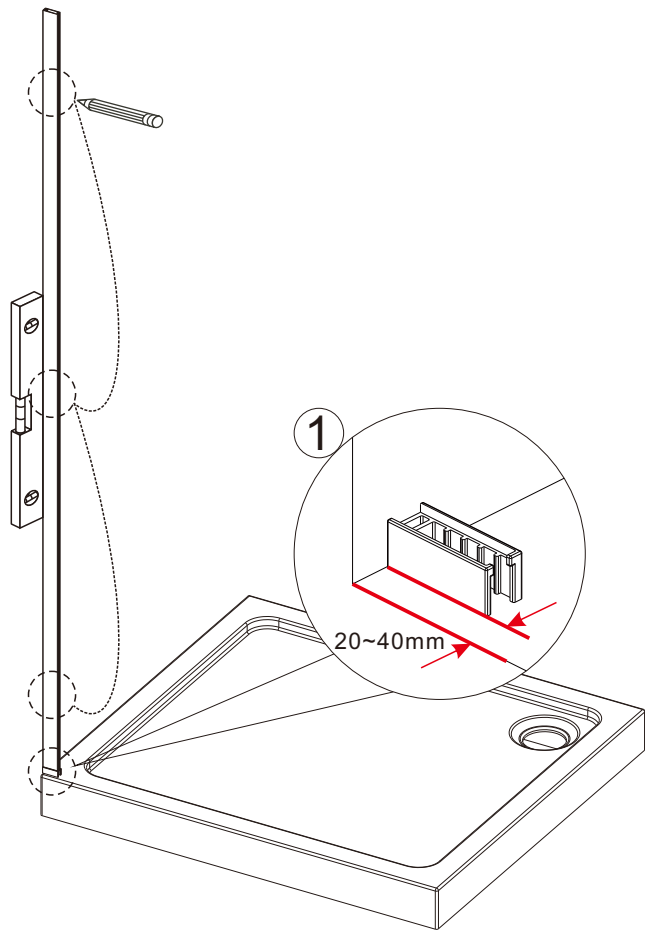
STEP 2 TRAY TO BE LEVEL

MAKE SURE THE TRAY IS LEVEL, USING A SPIRIT LEVEL, BEFORE INSTALLING THIS SHOWER PANEL / DOOR, AND THAT SILICONE IS APPLIED ON ALL SIDES WHERE THE TRAY MEETS THE TILES / WET WALL PANELS.

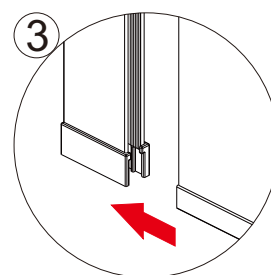
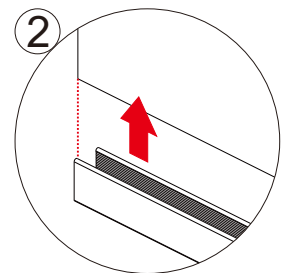
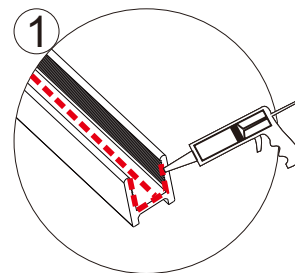
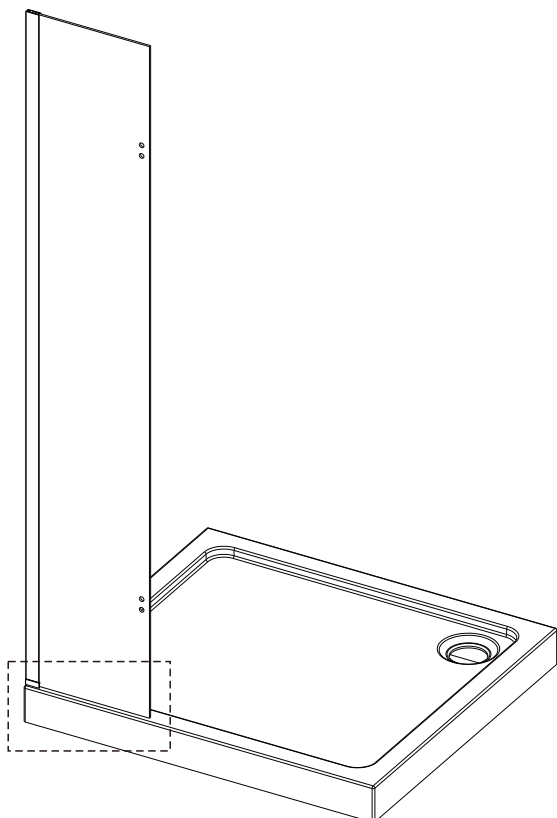


# ASSEMBLY CONCEALED HINGE DOOR PLEASE FOLLOW BELOW STEPS

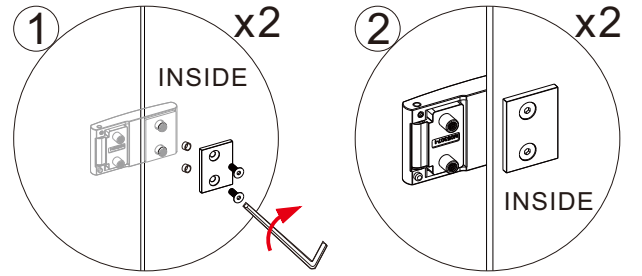
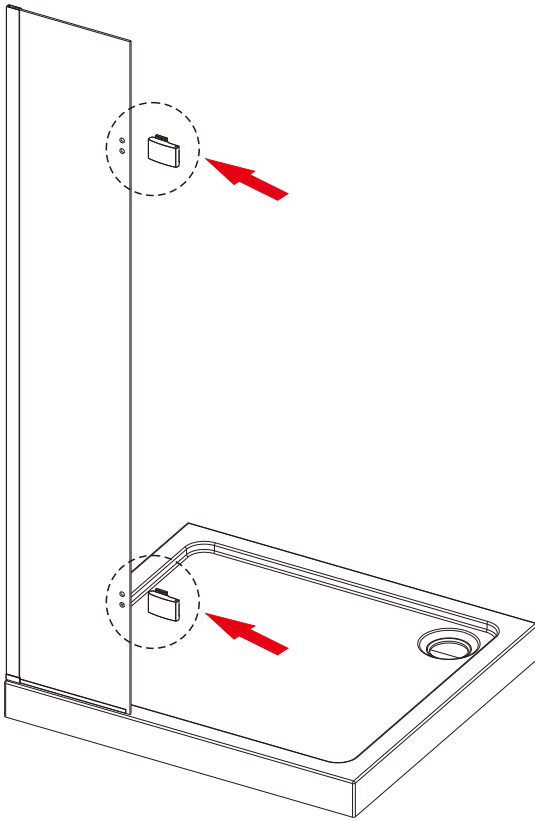
## STEP 3 FITTING WALL PROFILE TO THE WALL



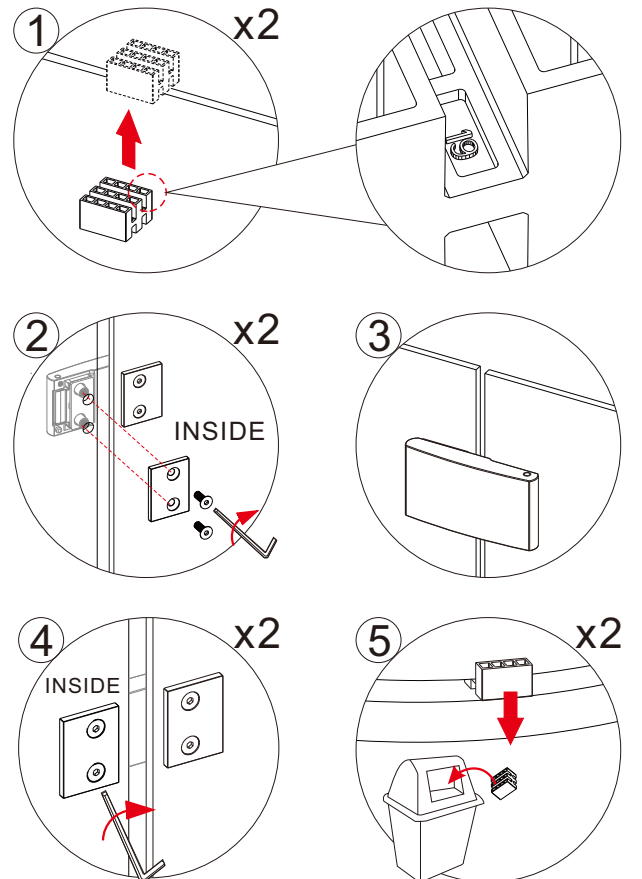
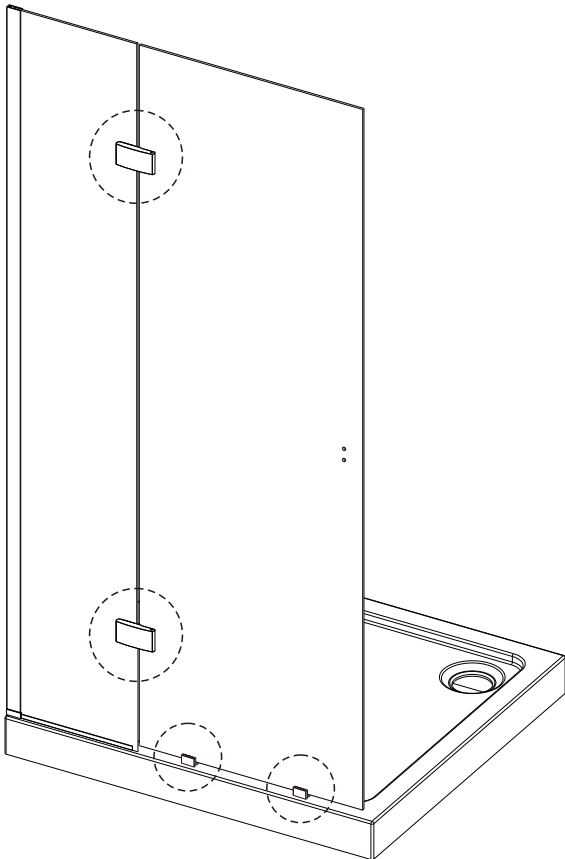
## STEP 4 FITTING THE FIXED PANEL



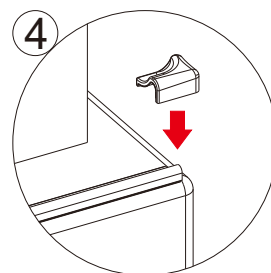
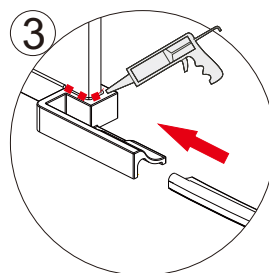
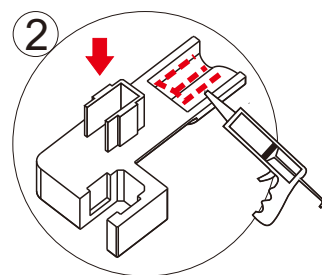
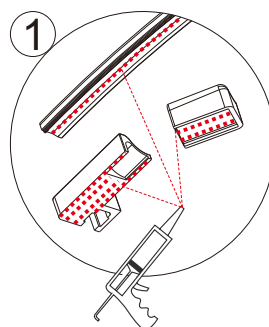
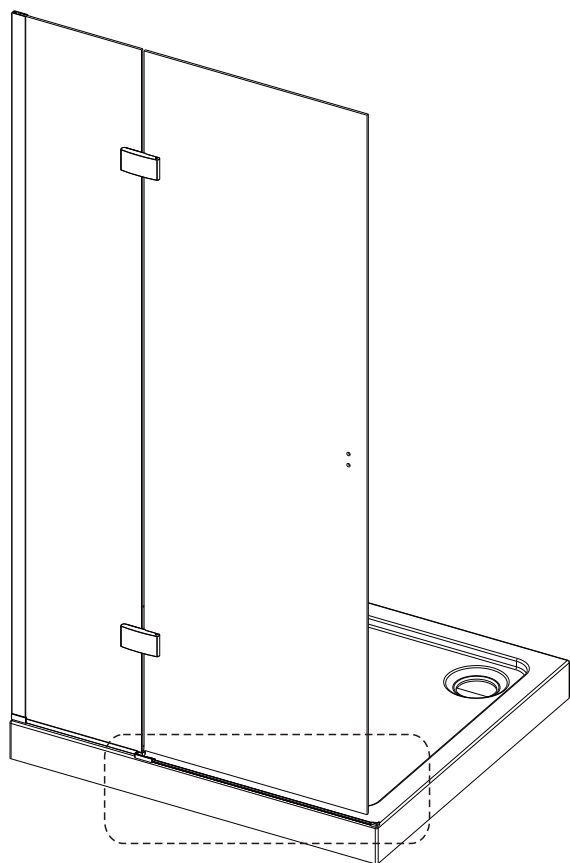
## STEP 5 FITTING THE HINGES



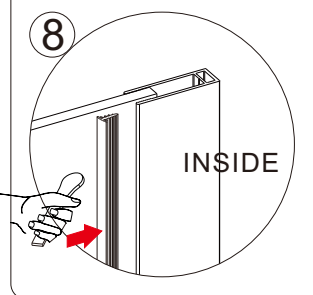
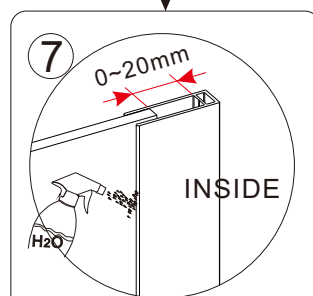
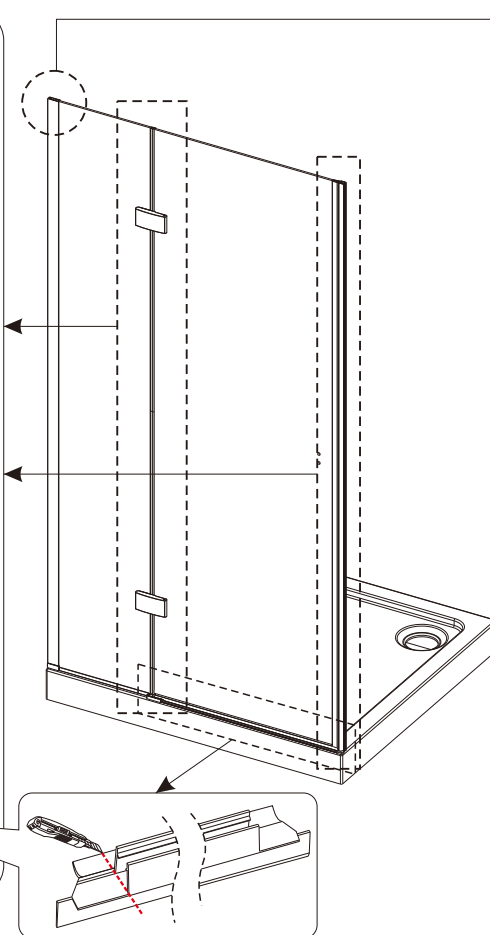
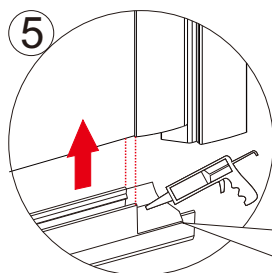
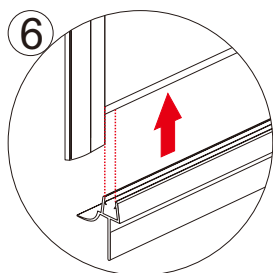
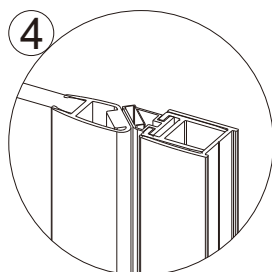
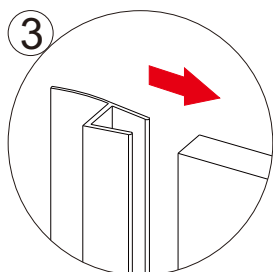
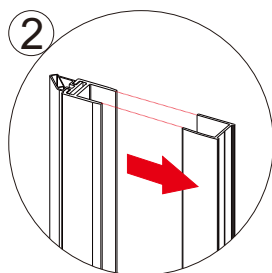
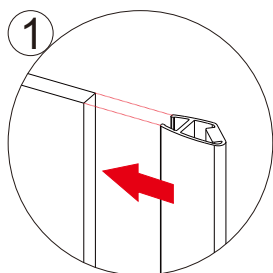
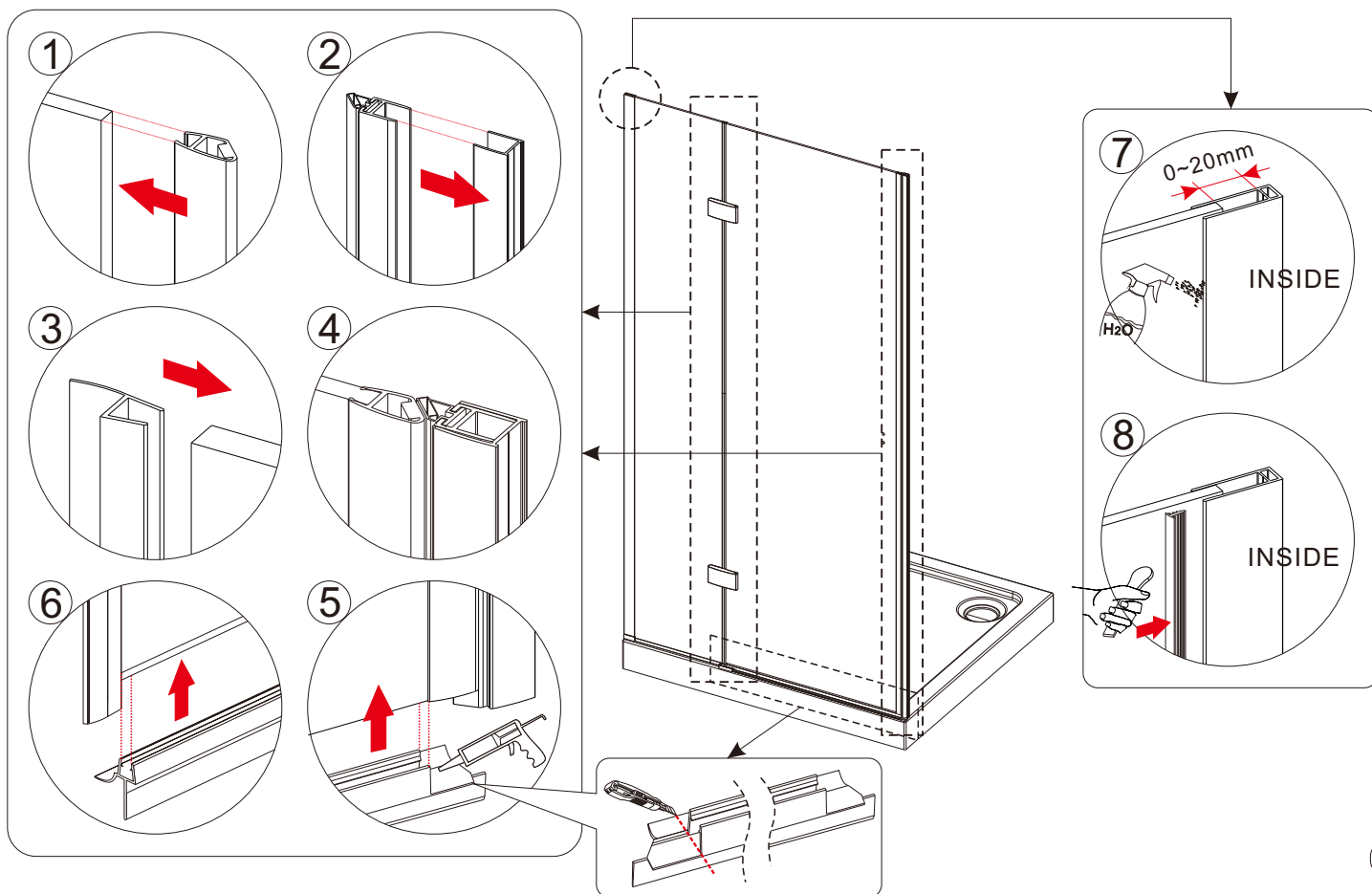
## STEP 6 FITTING THE HINGES & MOVING PANEL



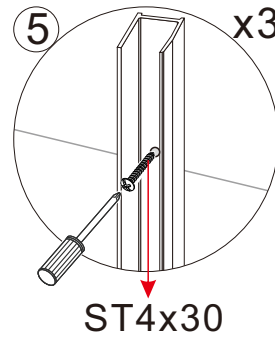
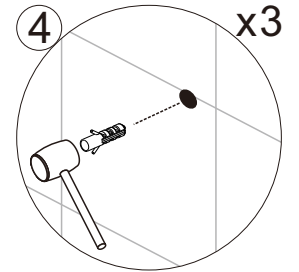
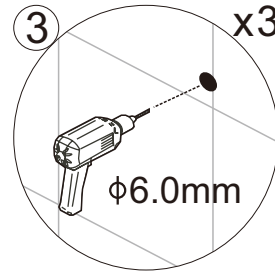
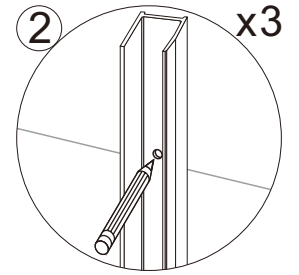
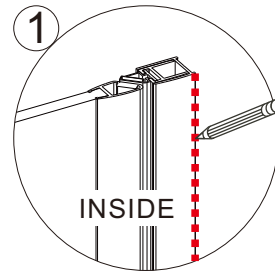
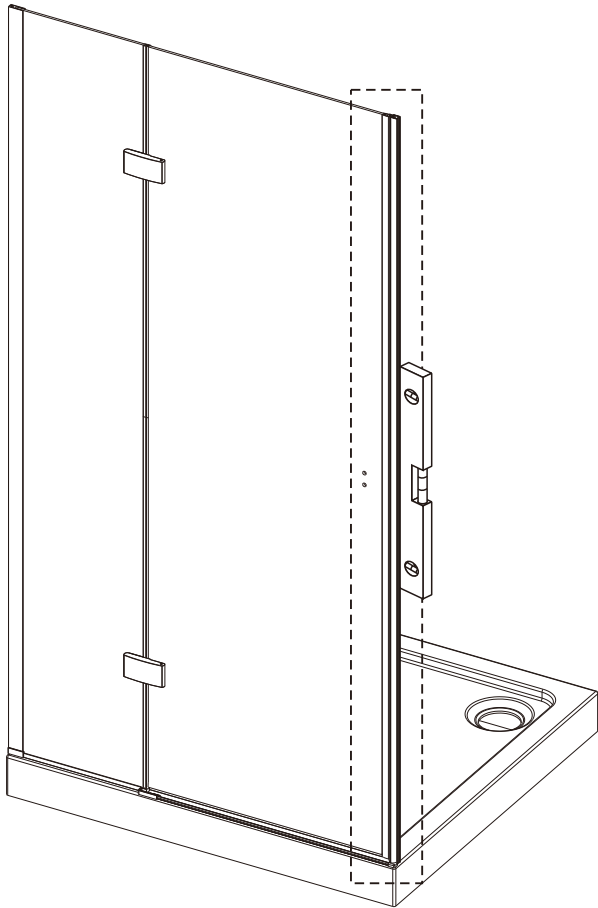
## STEP 7 FITTING THE BOTTOM DRIP STRIP



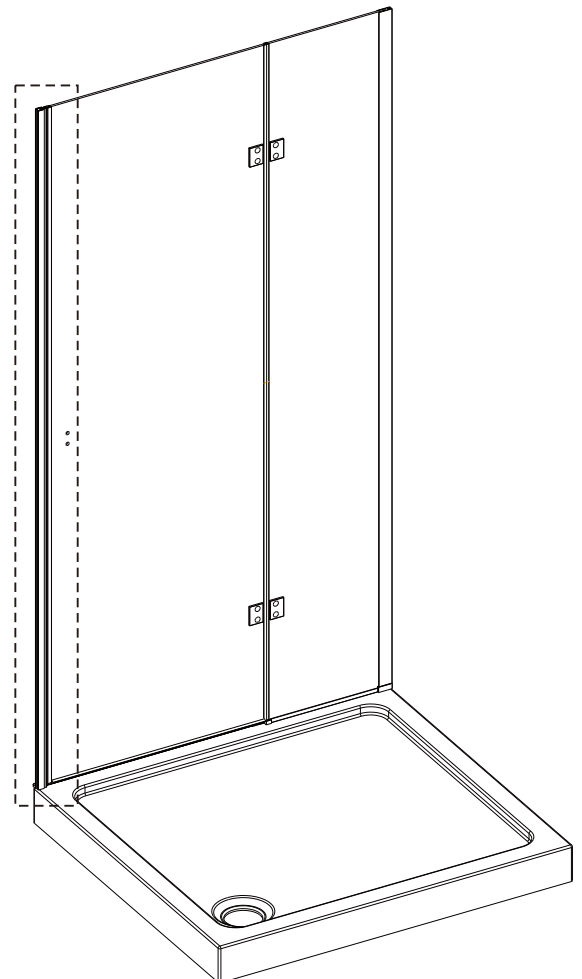
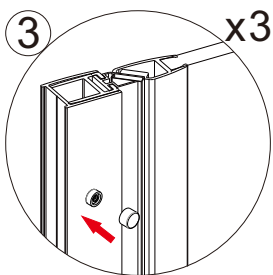
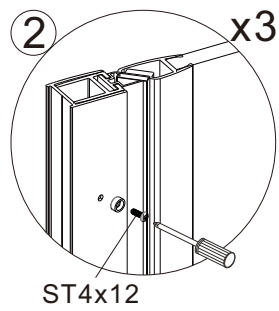
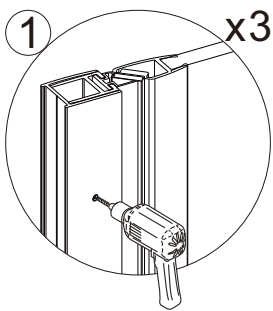
## STEP 8 FITTING THE SEALS



## STEP 9 FITTING THE WALL PROFILE B

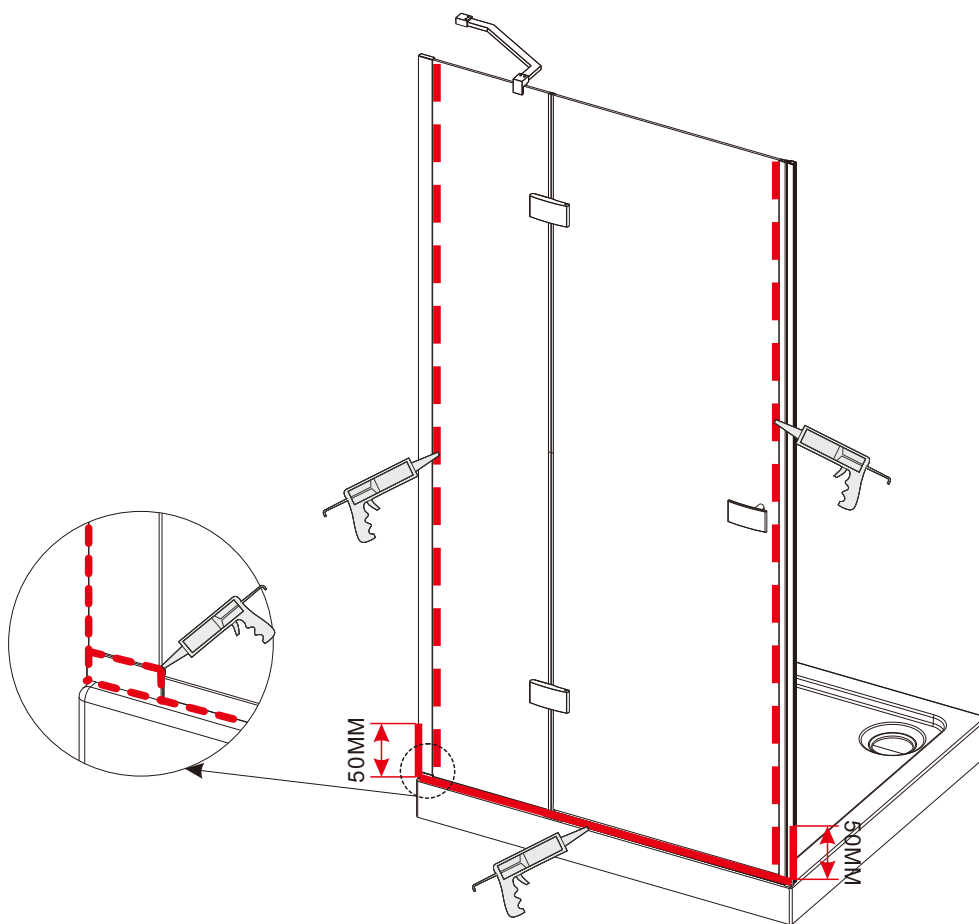


## STEP 10 SECURING THE WALL PROFILE B





STEP 13 SILICONE TO THE EDGE



**Allow 24 hours for silicone to dry before use.**