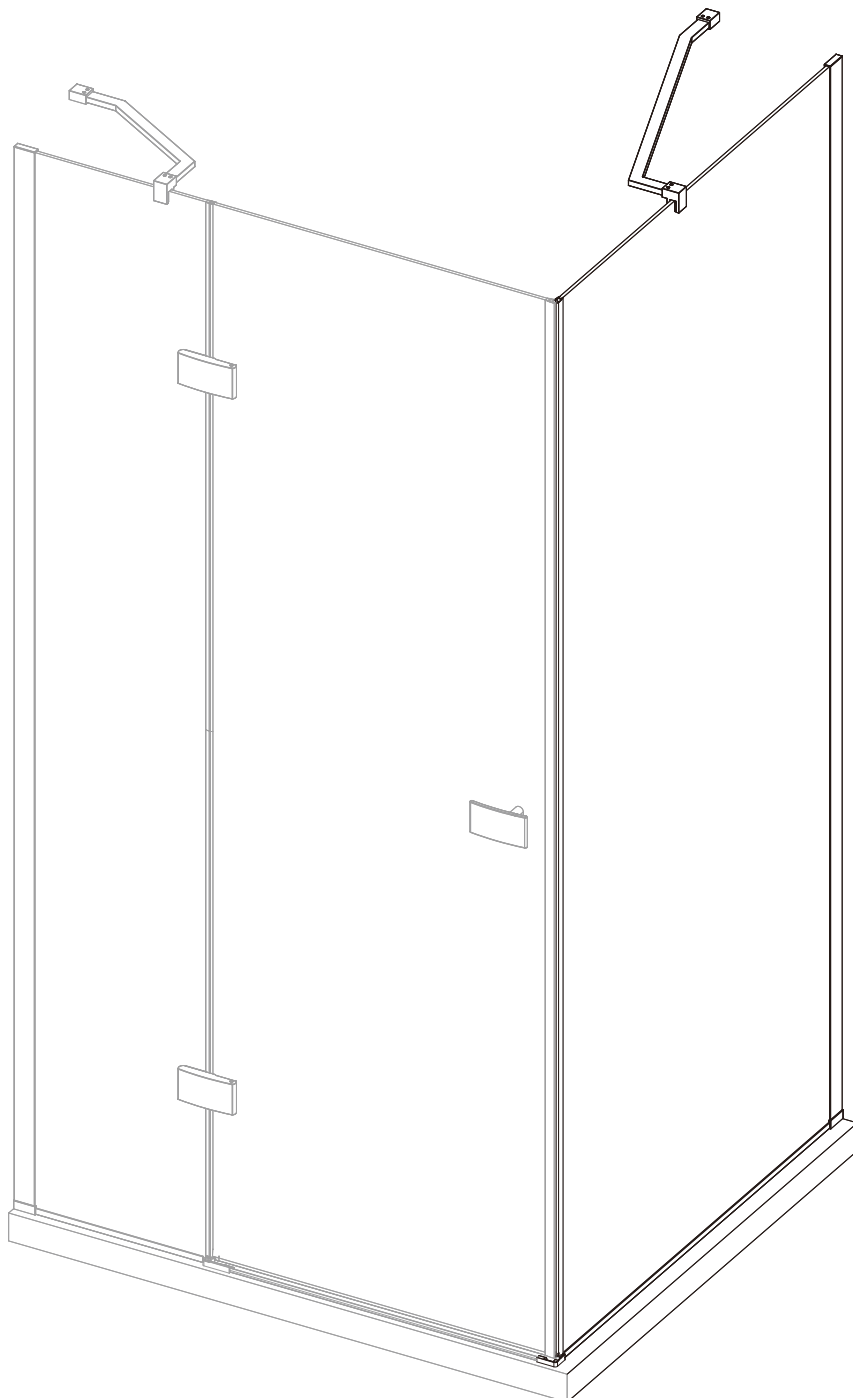
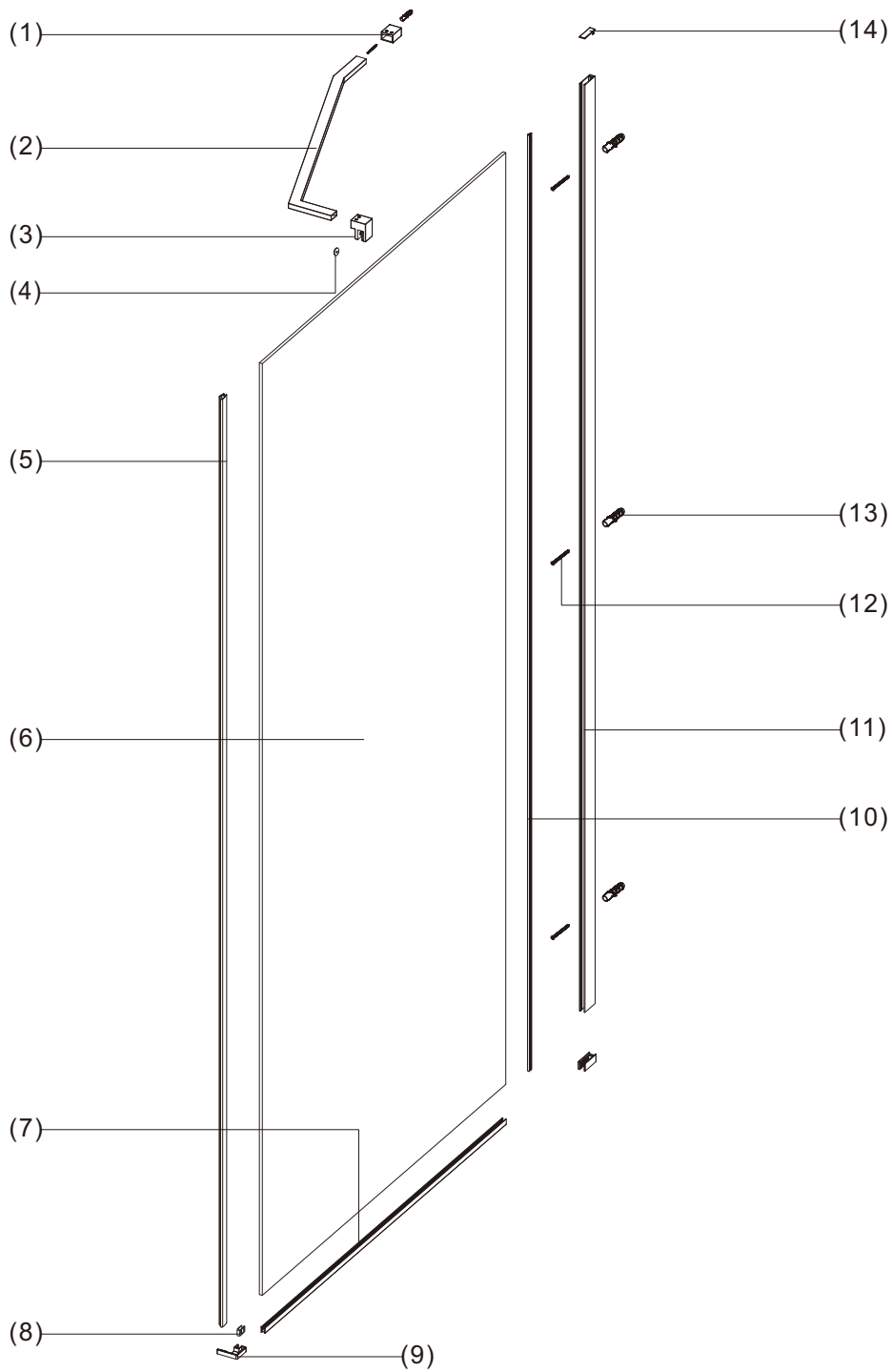


SIDE PANEL FOR 6MM FRAMELESS CONCEALED HINGE DOOR










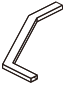
ASSEMBLY INSTRUCTIONS - DRAWING


NB: ALL MEASUREMENTS + COMPONENT SIZES QUOTED ARE IN MM.




Parts List				Parts List			
1	M05102	Wall Bracket	1	8	N01464	Glass Clip	1
2	M03182	Support Bar	1	9	N01467 / N01468	Corner Bracket L/R	1
3	M05542	Glass Clamp	1	10	JT0058-2.5T	Wedge Gasket Seal	1
4	N01046	Glass Clamp Cover Cap	1	11	LCT161	Wall Profile	1
5	CT0034-6H-GT	Magnet Seal	1	12	M20430	Screws ST4x30	4
6	A	Side Panel	1	13	N01135	Wall Plugs	4
7	LCL048	Bottom Drip Strip	1	14	N011156	Wall Profile Cover Cap	1

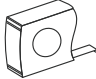


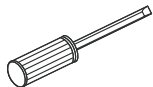
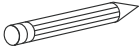
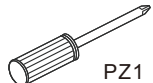

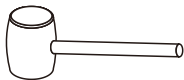


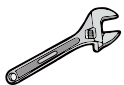
FIXING KIT COMPONENTS

x4	x4	x1	x1	x1	x1	x1	x1
							
N01135	M20430	N01464	N011156	M05102	M05542	N01046	M03182

x2

N01467 / N01468

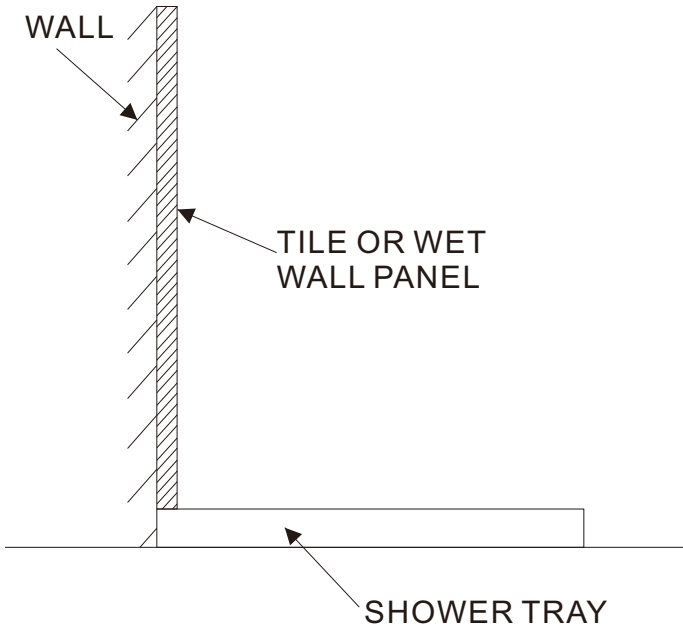
x1

F04009

TOOLS REQUIRED

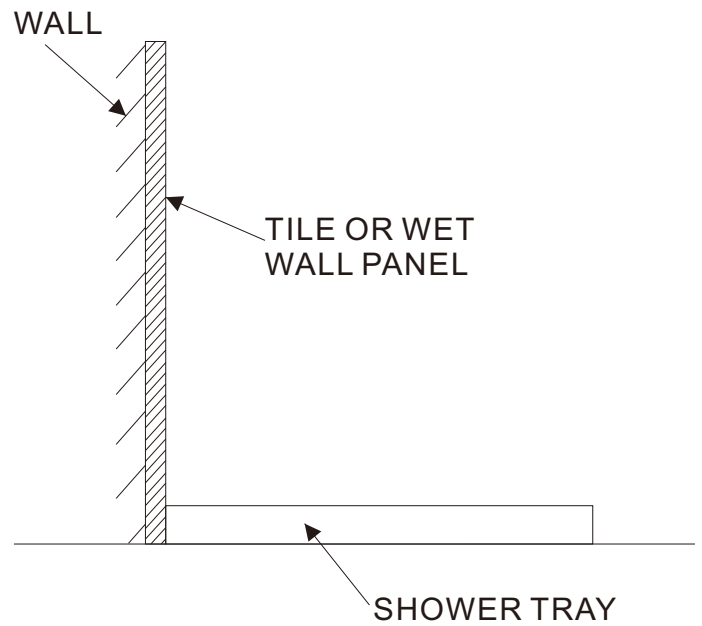
DESCRIPTION	PART IMAGE	DESCRIPTION	PART IMAGE
Tape measure		Drill	
Spirit level		Flat-head Screwdriver	
Pencil		Cross head Screwdriver	 PZ1
Ø6mm,Ø3mm Drill bit		Mallet	
Ø2,Ø2.5,Ø3,Ø4 Allen Key		Silicone Sealant	
Spanner			

STEP 1 DRAWING TO SHOW CORRECT SHOWER TRAY INSTALLATION

YES ✓

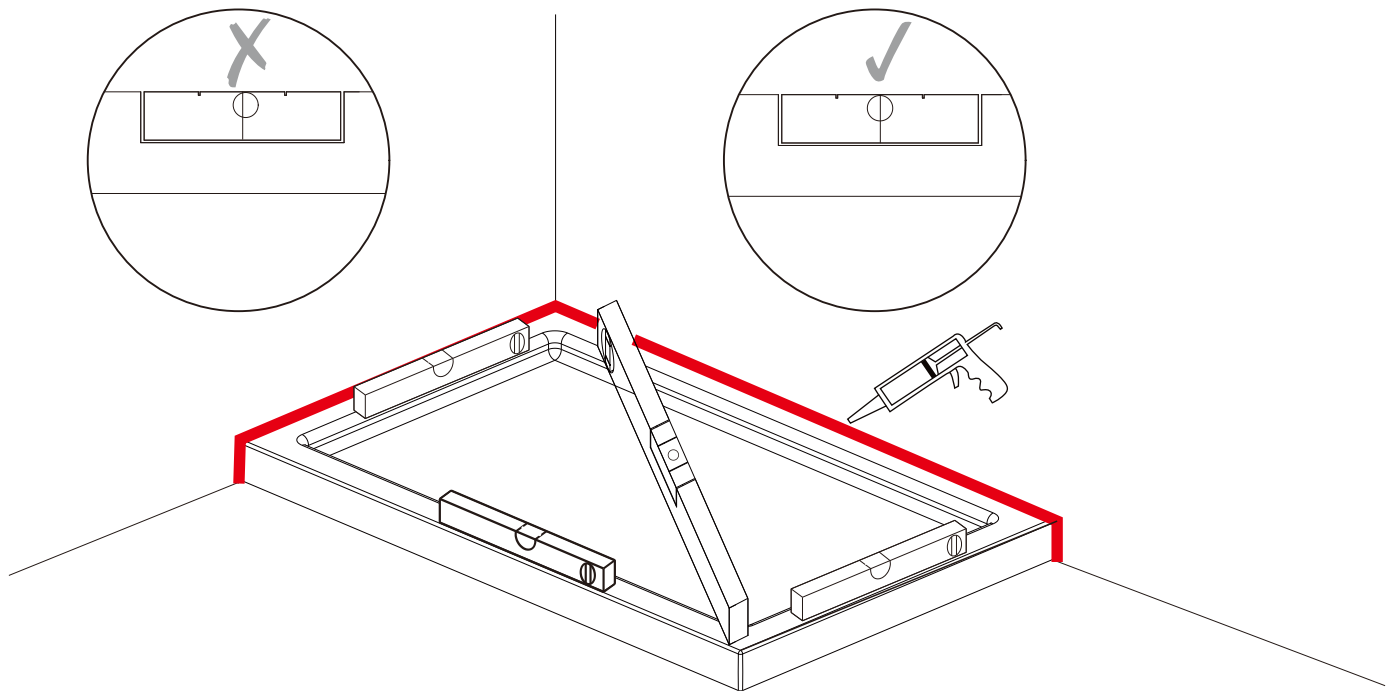


NO ✗



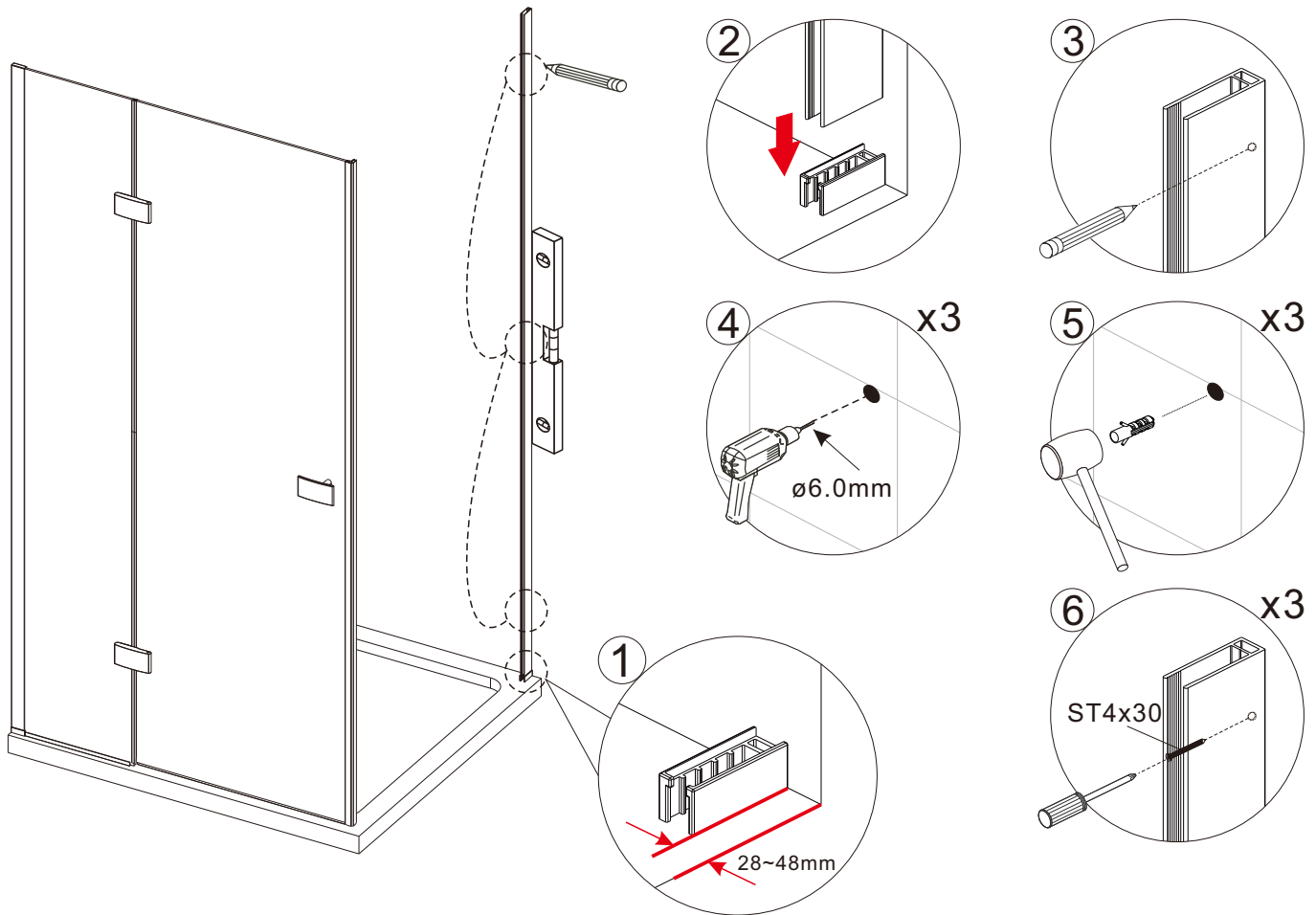
STEP 2 TRAY TO BE LEVEL

MAKE SURE THE TRAY IS LEVEL, USING A SPIRIT LEVEL, BEFORE INSTALLING THIS SHOWER PANEL / DOOR, AND THAT SILICONE IS APPLIED ON ALL SIDES WHERE THE TRAY MEETS THE TILES / WET WALL PANELS.

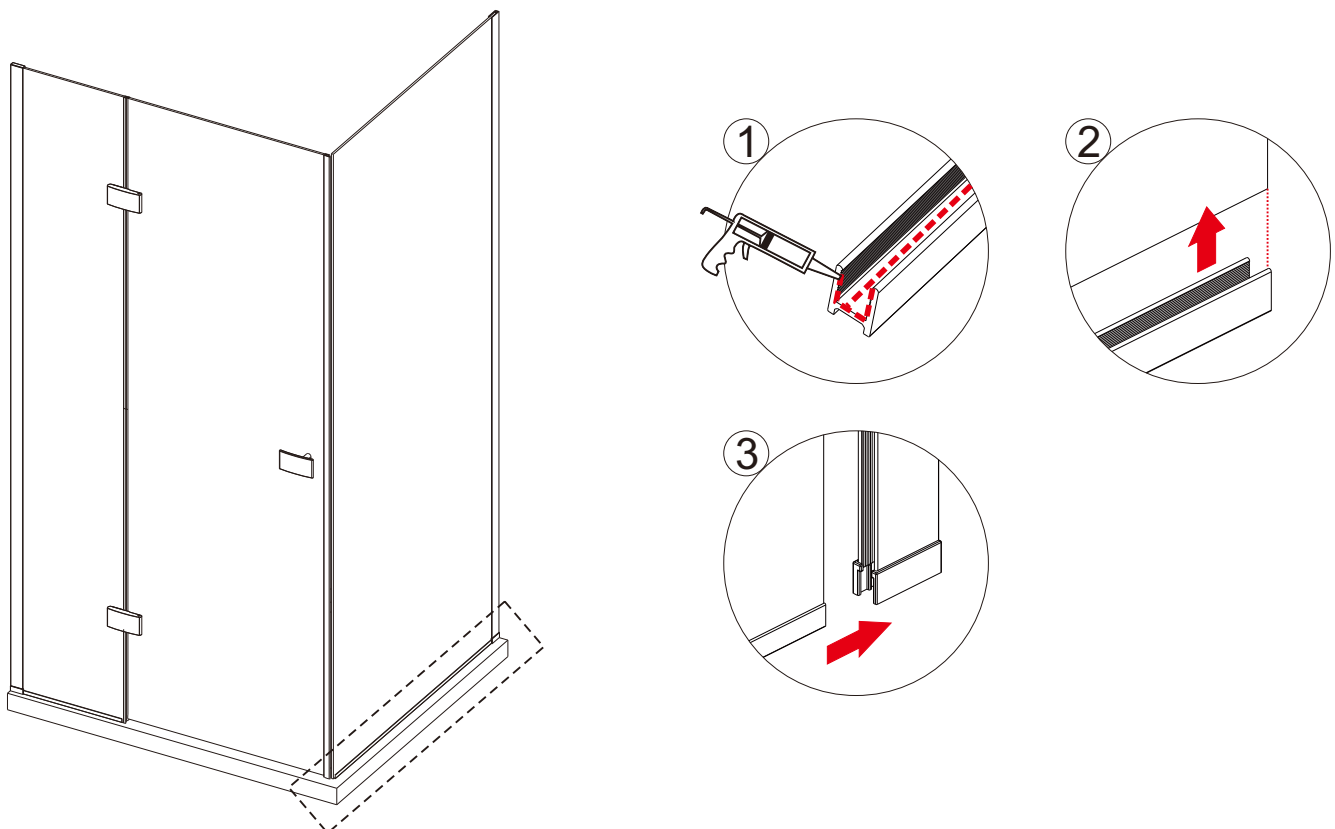


ASSEMBLY SIDE PANEL WITH CONCEALED HINGE DOOR PLEASE FOLLOW BELOW STEPS

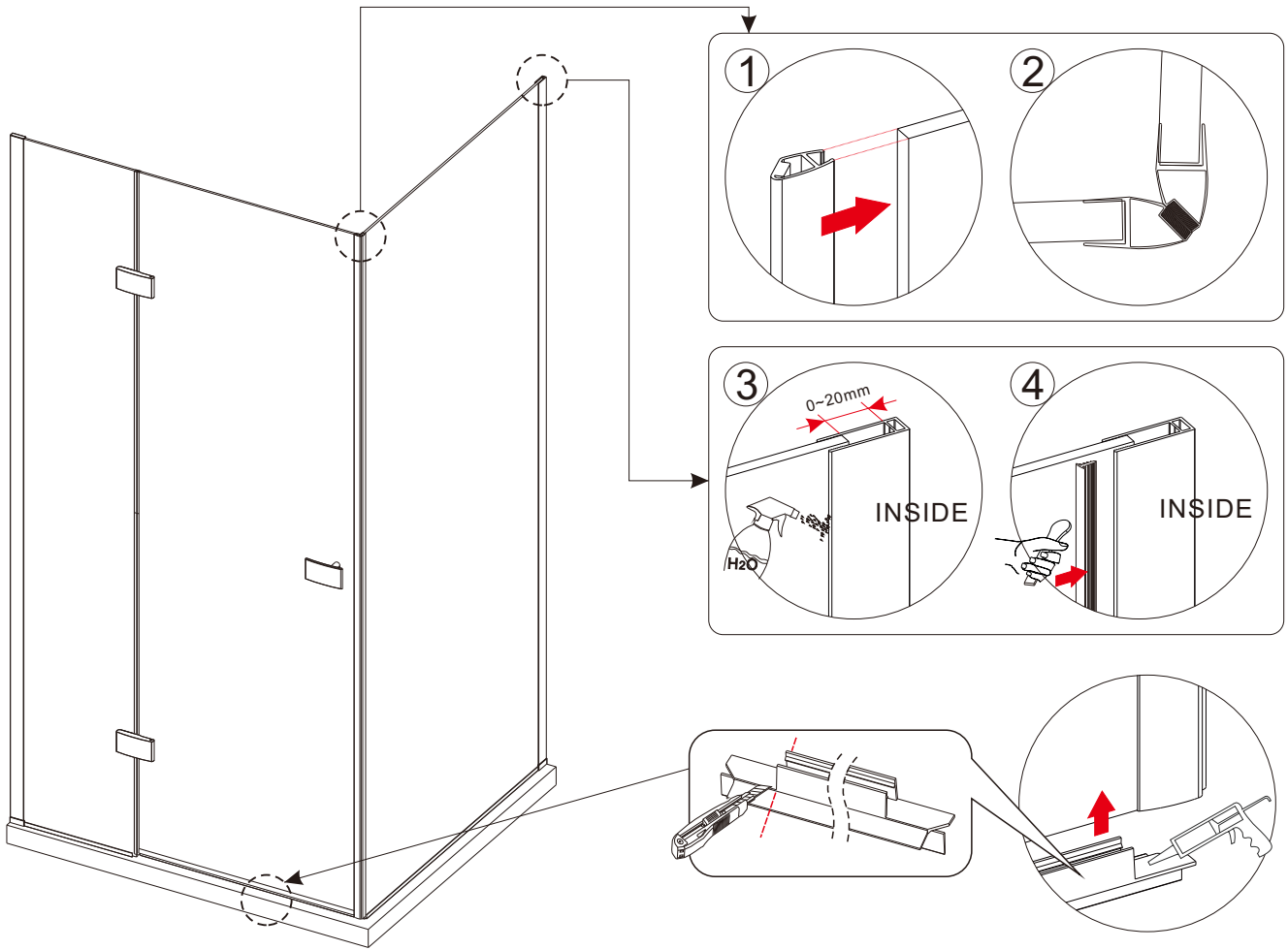
STEP 3 FITTING WALL PROFILE TO THE WALL



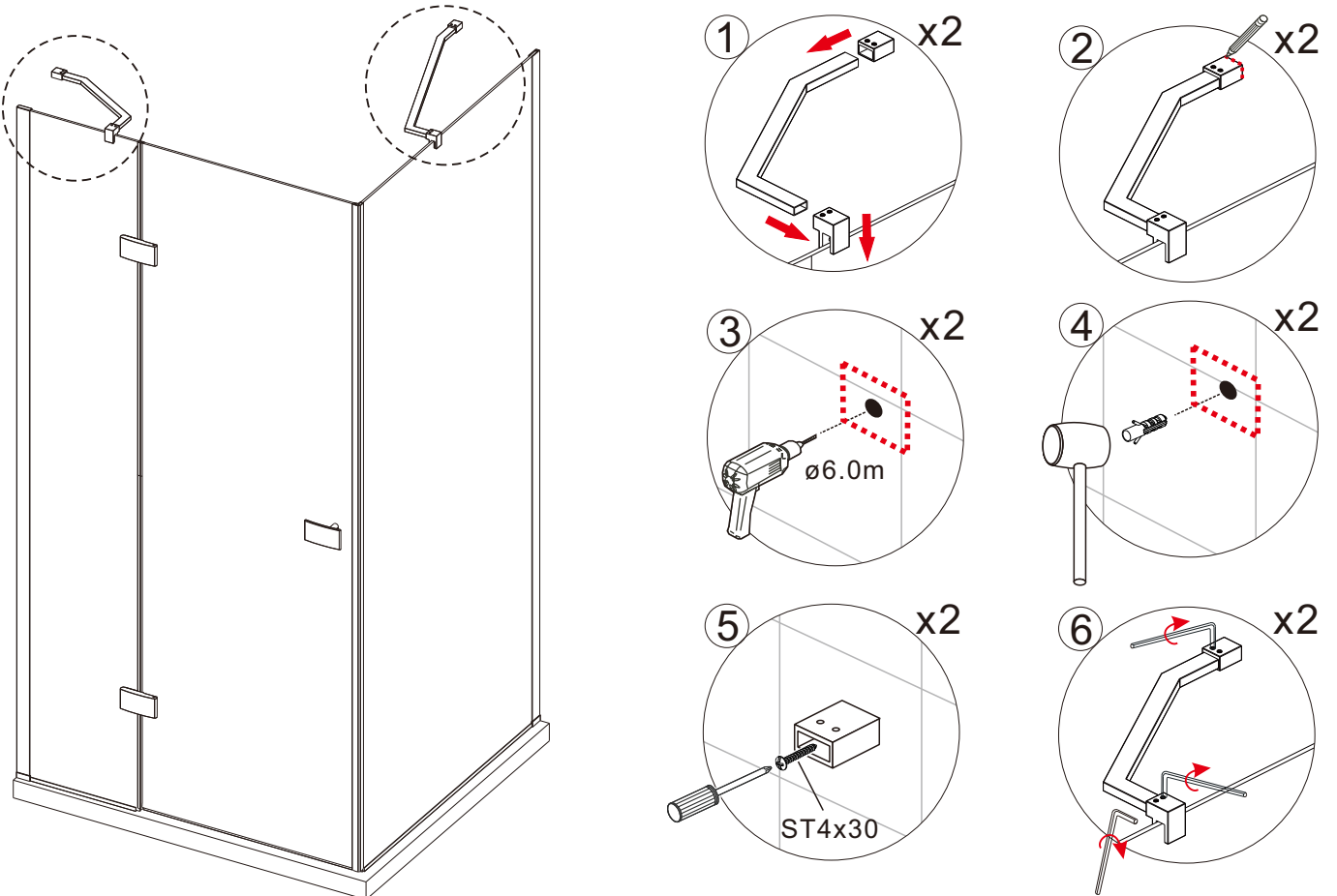
STEP 4 FITTING THE SIDE PANEL



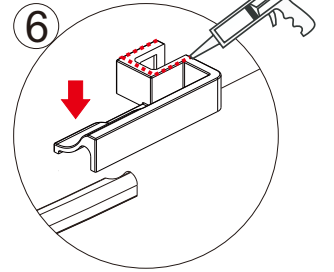
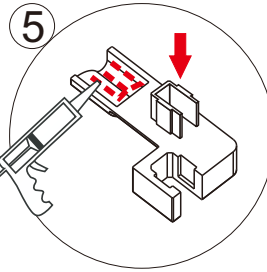
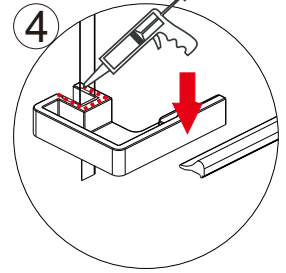
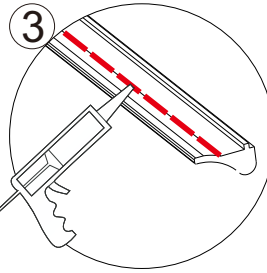
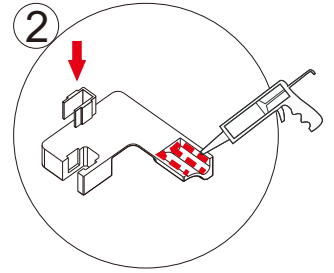
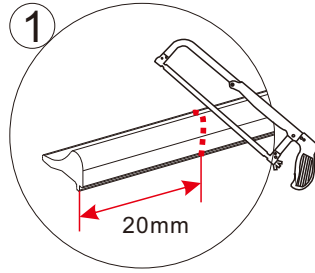
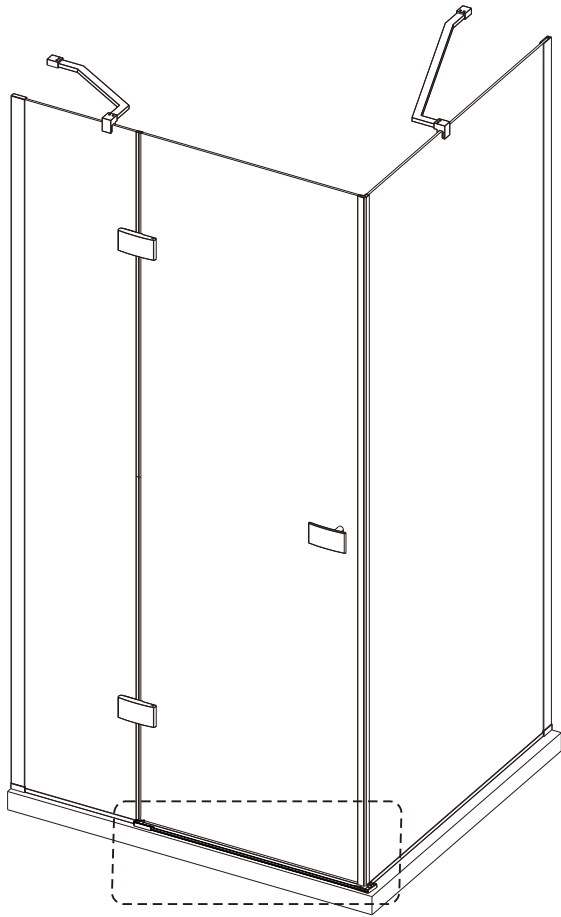
STEP 5 FITTING THE SEALS



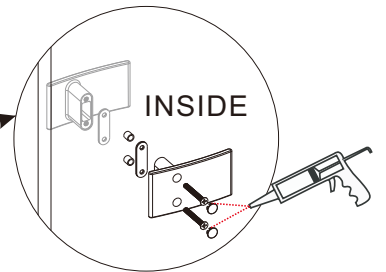
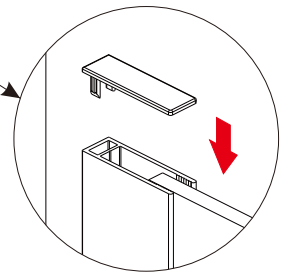
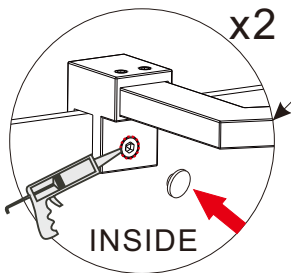
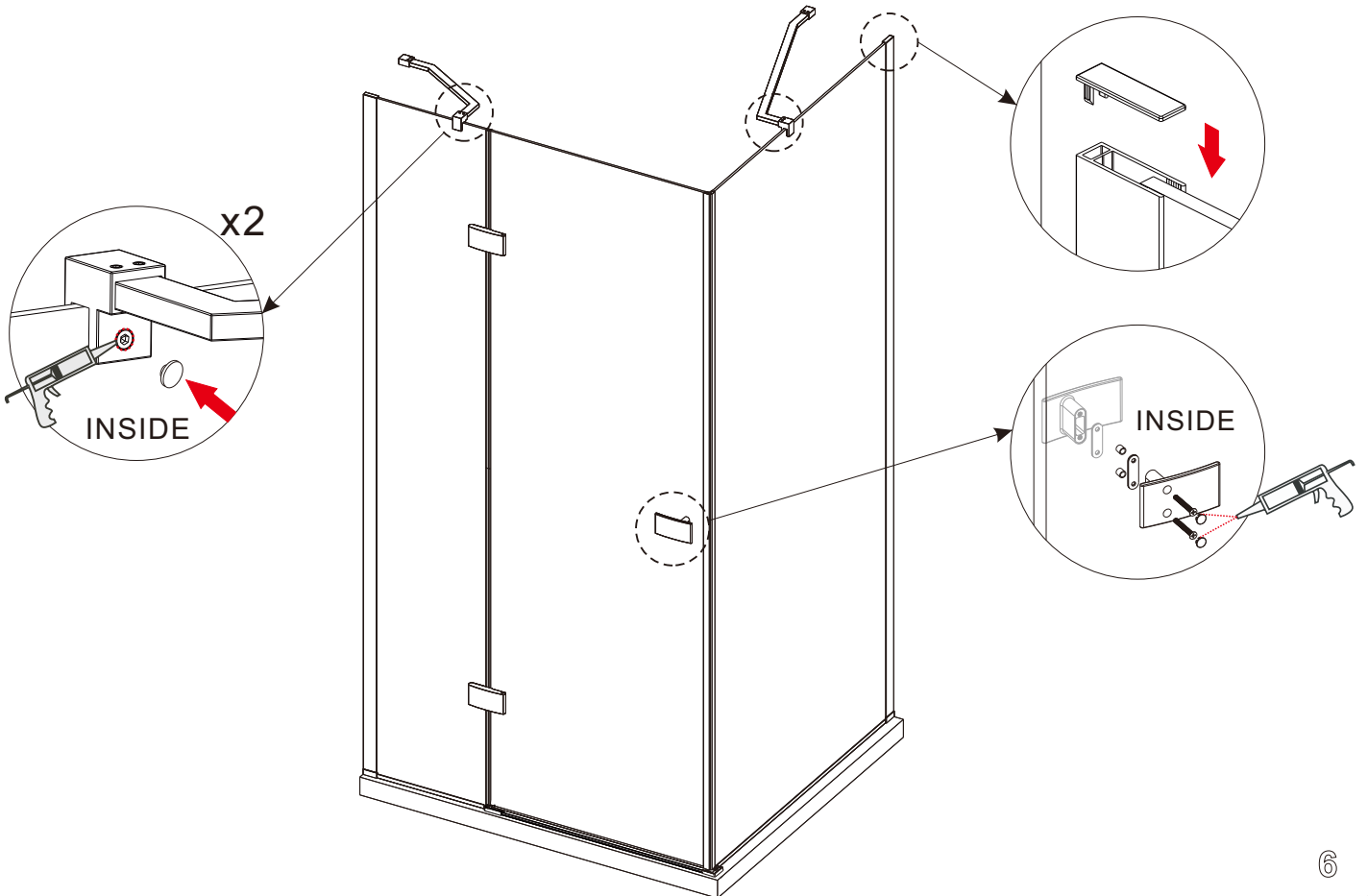
STEP 6 FITTING THE SUPPORT BAR



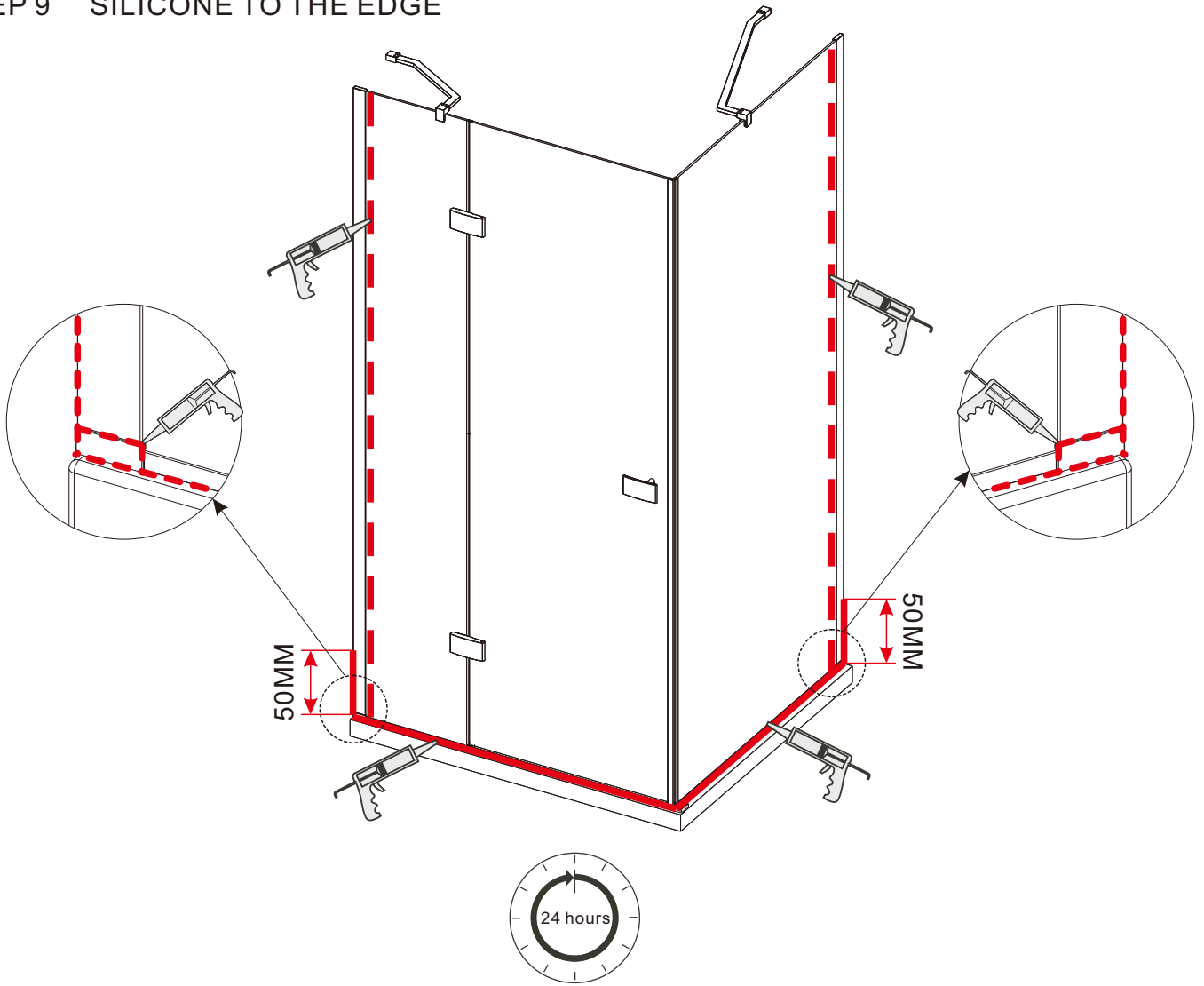
STEP 7 FITTING THE RUNARAIL



STEP 8 FITTING THE CAPS AND HANDLE



STEP 9 SILICONE TO THE EDGE



Allow 24 hours for silicone to dry before use.