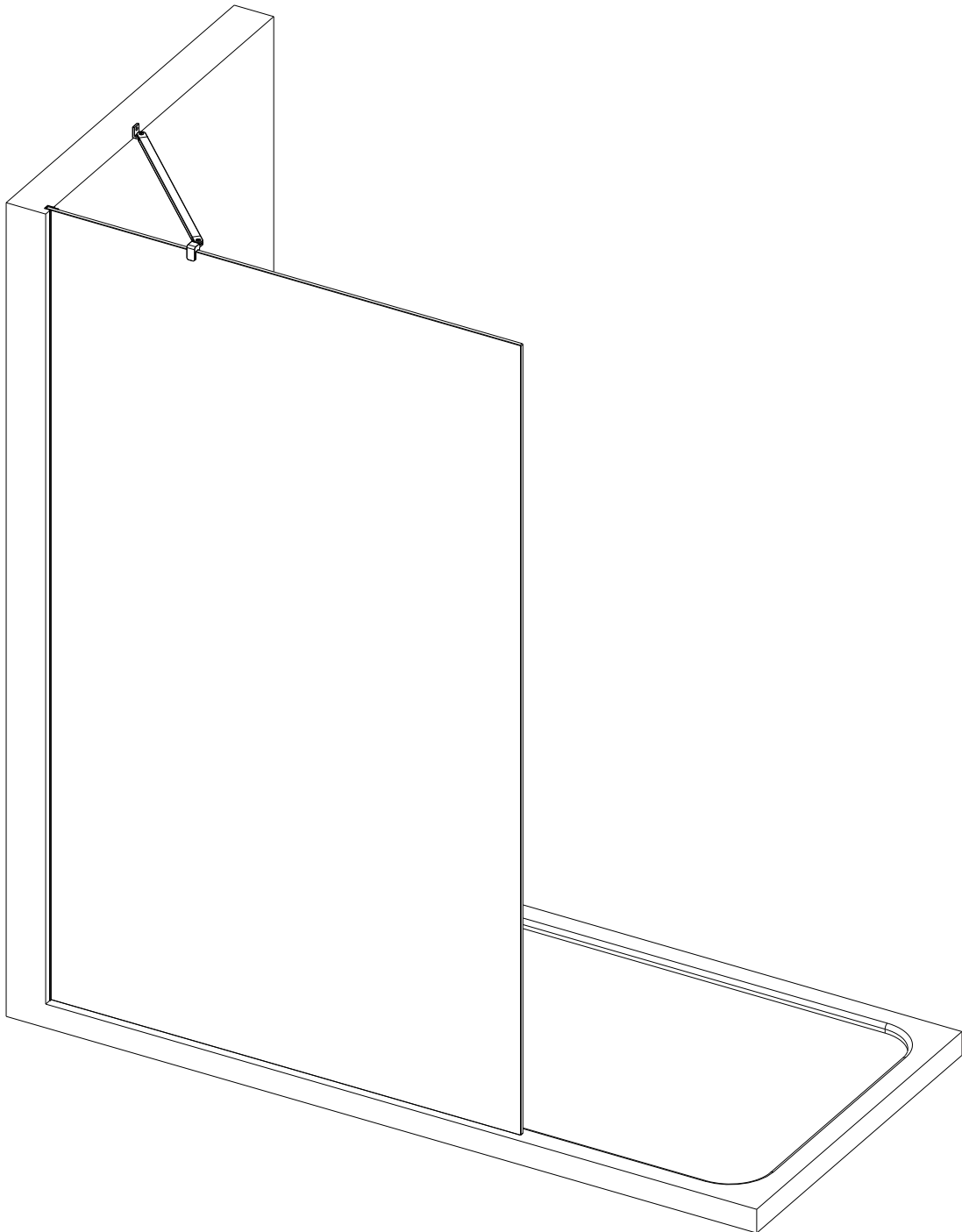


DAWN

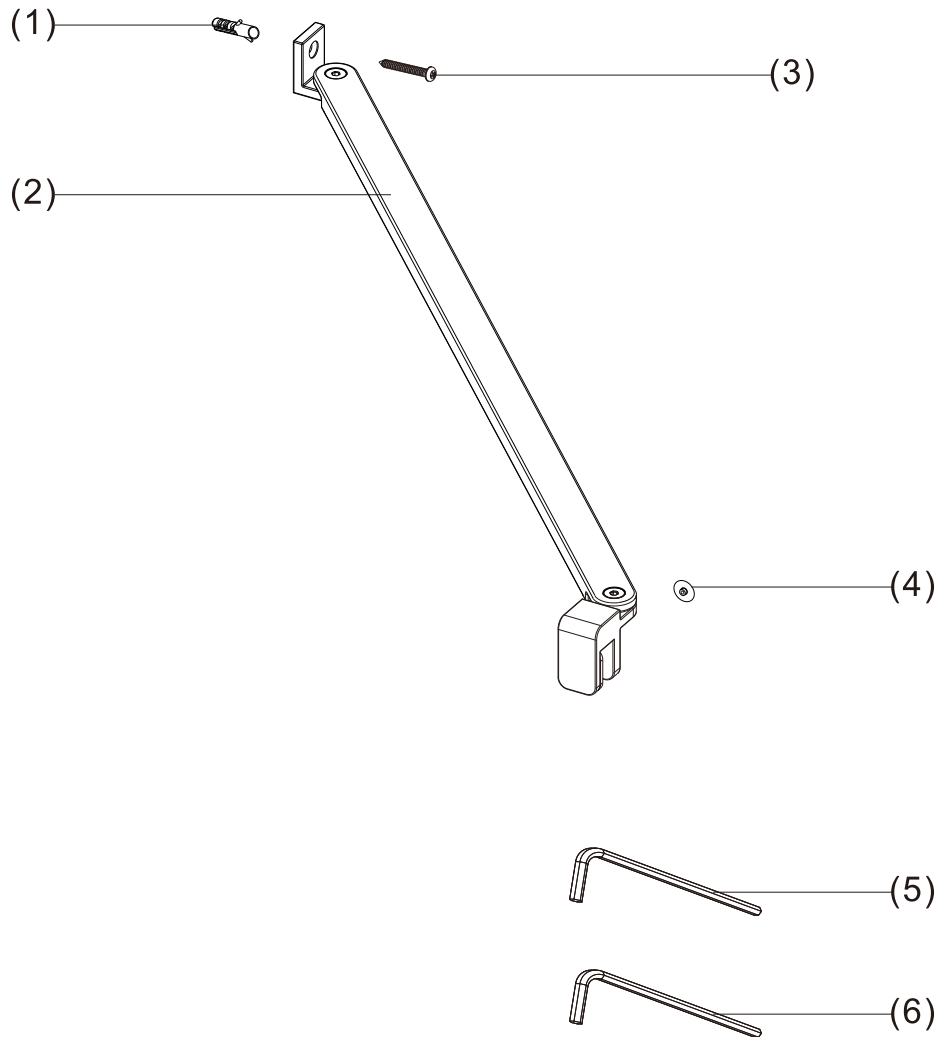
MINOS | WALK-IN ENCLOSURE RANGE

MINOS ANGLED STABILISING BAR



ASSEMBLY INSTRUCTIONS - DRAWING

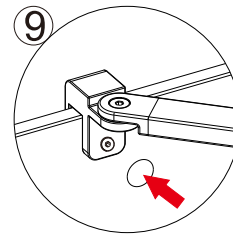
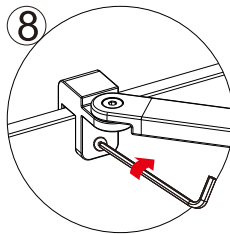
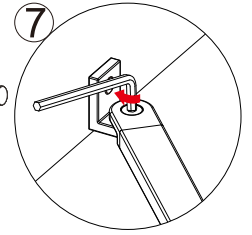
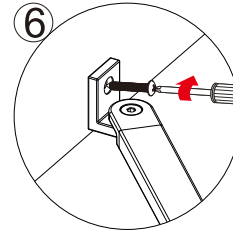
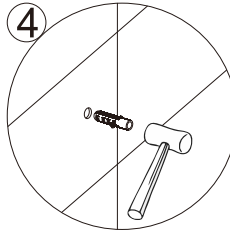
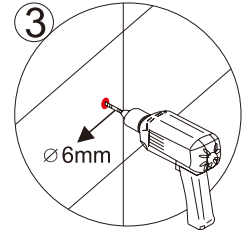
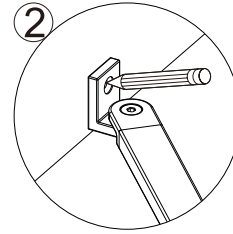
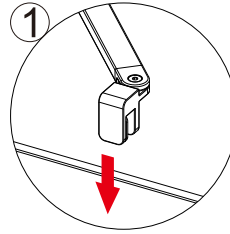
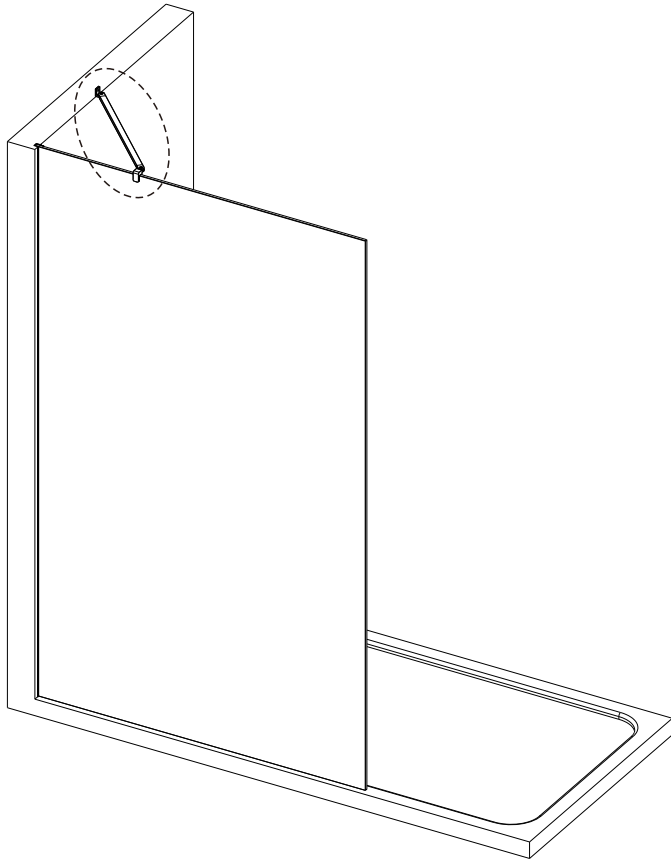
NB: ALL MEASUREMENTS + COMPONENT SIZES QUOTED ARE IN MM.



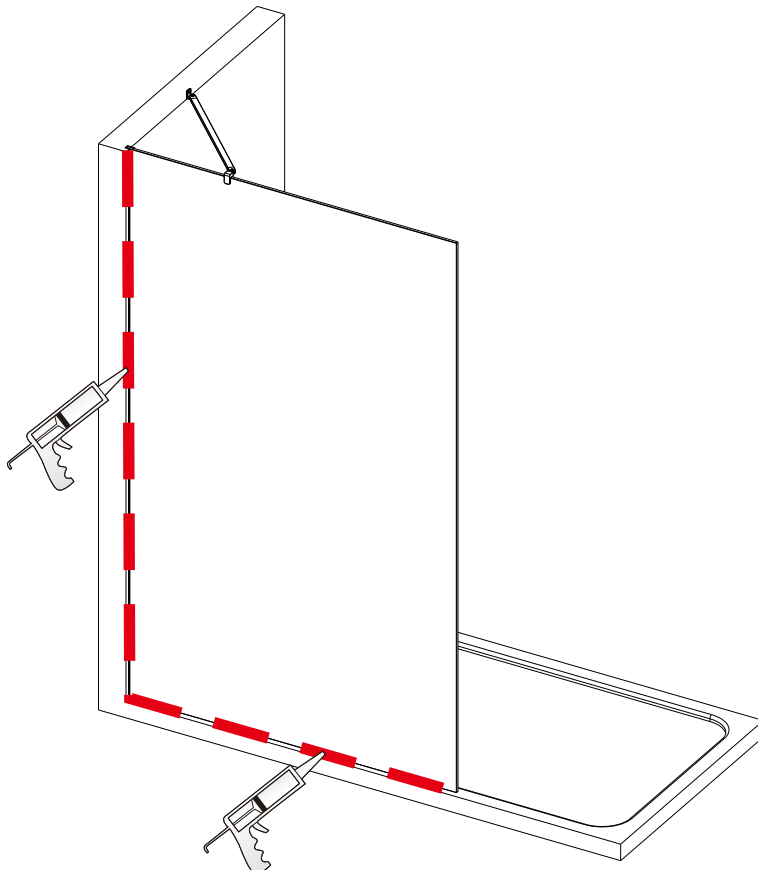
Parts List			
1	N01135	Wall Plug	1
2	M03232	Top Bar	1
3	M22430	Screw ST4x30	1
4	N01046	Cover Cap	1
5	F04001	Allen key kit	1
6	F04005	Allen key kit	1

ASSEMBLY WET ROOM FLIPPER PANEL PLEASE FOLLOW BELOW STEPS

STEP 1 FITTING TOP BAR



STEP 2 SILICONE TO THE EDGE



Allow 24 hours for silicone to dry before use.