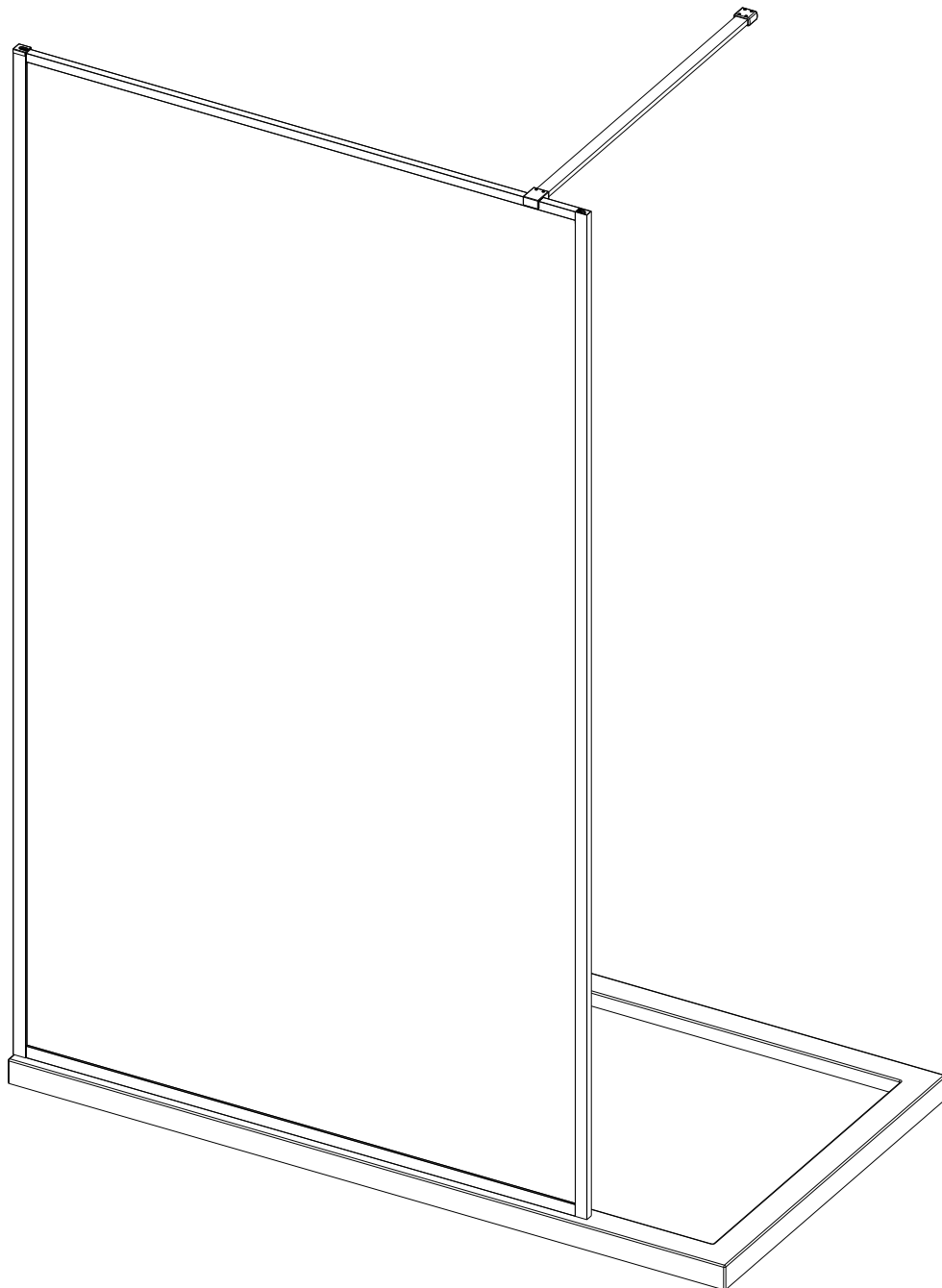


DAWN

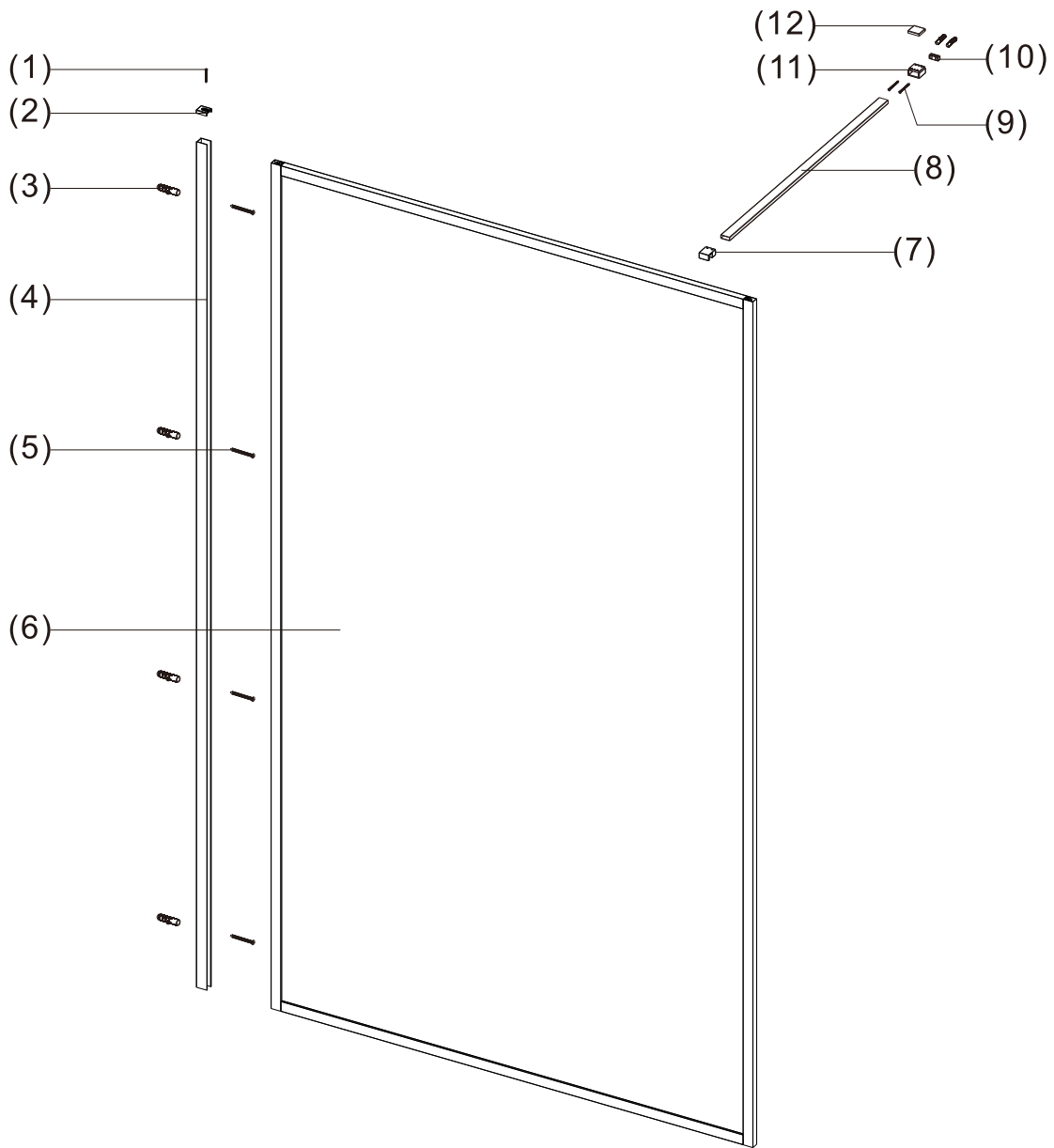
MINOS | WALK-IN ENCLOSURE RANGE

8MM FRAMED WALL PANEL




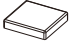




ASSEMBLY INSTRUCTIONS - DRAWING

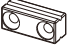

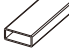

NB: ALL MEASUREMENTS + COMPONENT SIZES QUOTED ARE IN MM.



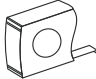


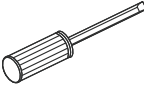
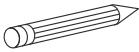
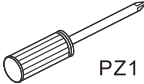
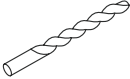
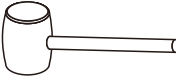


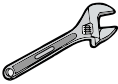
Parts List			Parts List				
1	M213516	Screw ST3.5x16	1	7	M05639	Glass Clip	1
2	M05640	Wall Profile Cover Cap	1	8	LL0842050	Top Bar	1
3	N01135	Wall Plug	6	9	M22430	Screws ST4x30	2
4	LZ2452050	Wall Profile	1	10	M05627	Wall Bracket A	1
5	M20430	Round Screws ST4x30	4	11	M05638	Wall Bracket B	1
6	A	Fixed Panel	1	12	N011343	Wall Bracket Cover Cap	1

FIXING KIT COMPONENTS

x1	x1	x6	x4	x2	x1
					
M05640	N011343	N01135	M20430	M22430	M213516

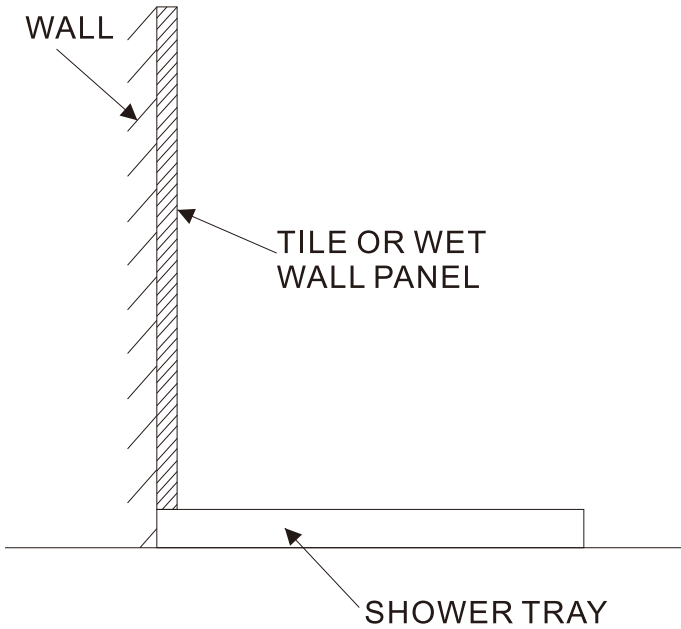
x1	x1	x1	x1
			
M05627	M05639	LL0842050	M05638

TOOLS REQUIRED

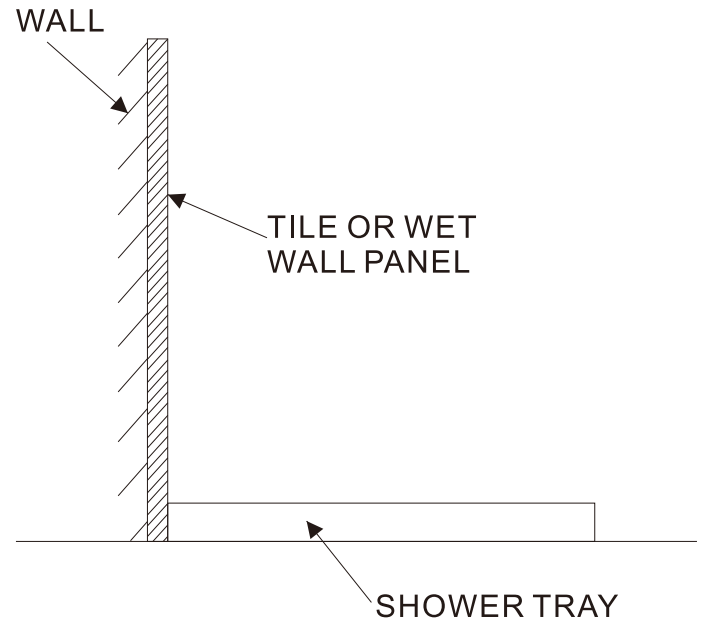
DESCRIPTION	PART IMAGE	DESCRIPTION	PART IMAGE
Tape measure		Drill	
Spirit level		Flat-head Screwdriver	
Pencil		Cross head Screwdriver	 PZ1
Ø6mm,Ø3mm Drill bit		Mallet	
Ø2,Ø2.5,Ø3,Ø4 Allen Key		Silicone Sealant	
Spanner			

STEP 1 DRAWING TO SHOW CORRECT SHOWER TRAY INSTALLATION

YES ✓

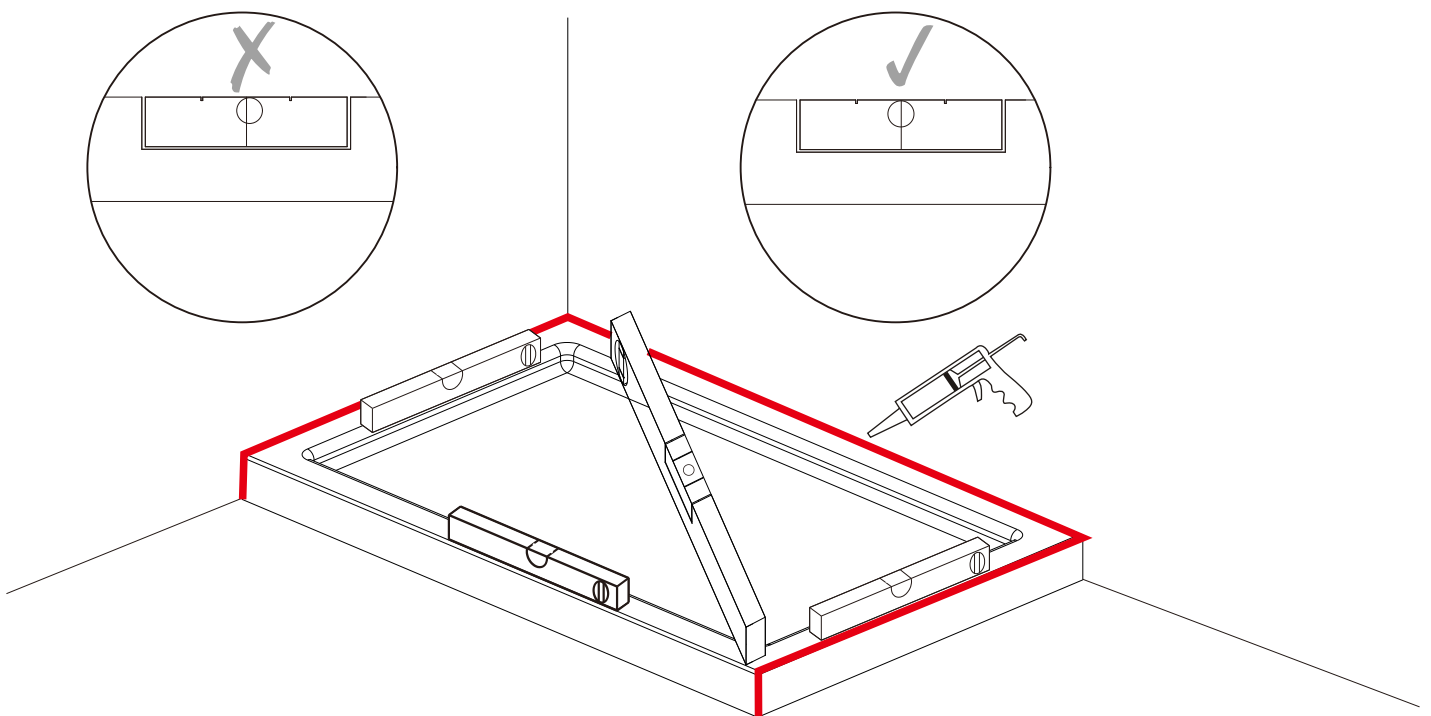


NO ✗



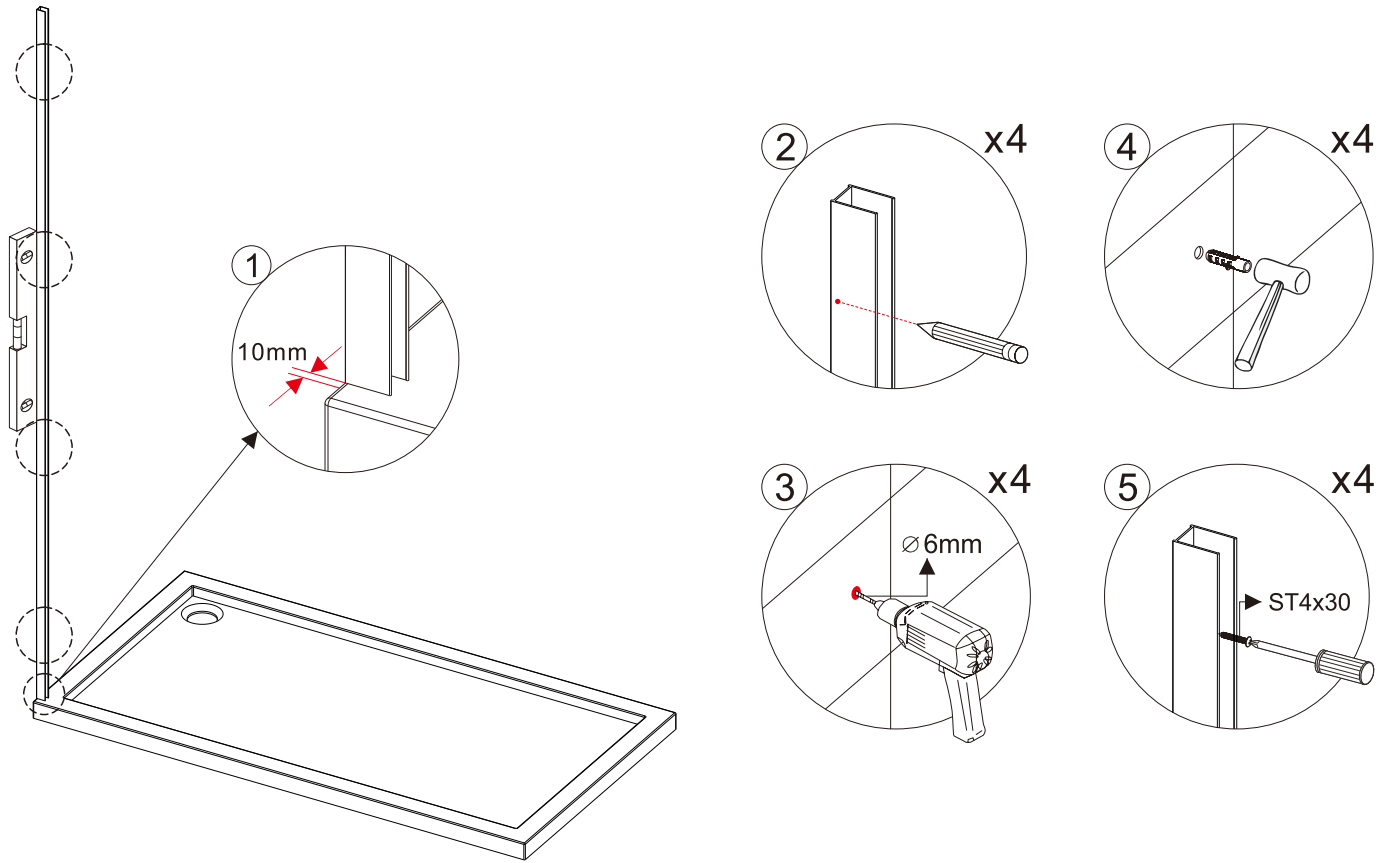
STEP 2 TRAY TO BE LEVEL

MAKE SURE THE TRAY IS LEVEL, USING A SPIRIT LEVEL, BEFORE INSTALLING THIS SHOWER PANEL / DOOR, AND THAT SILICONE IS APPLIED ON ALL SIDES WHERE THE TRAY MEETS THE TILES / WET WALL PANELS.

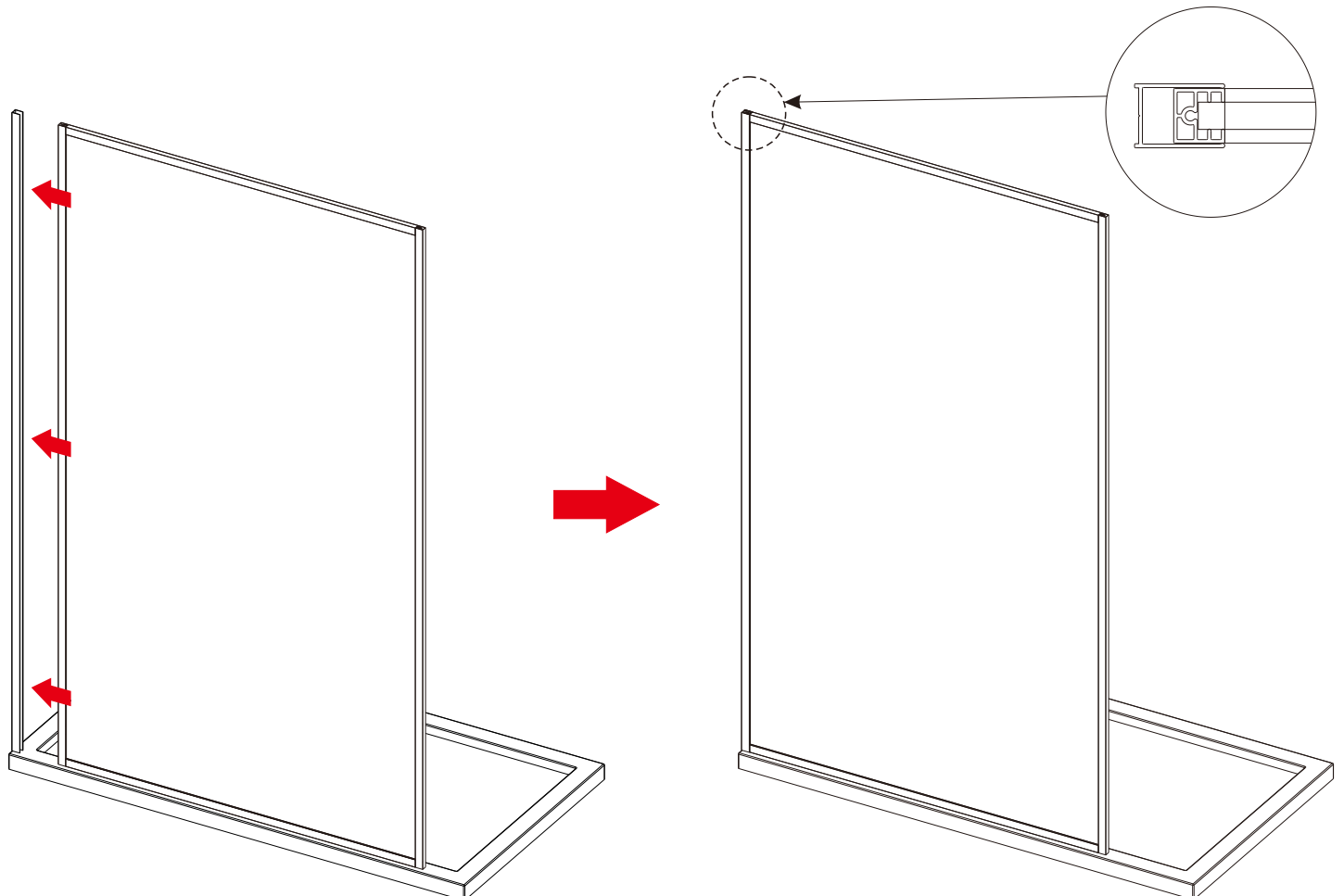


ASSEMBLY WET ROOM FLIPPER PANEL PLEASE FOLLOW BELOW STEPS

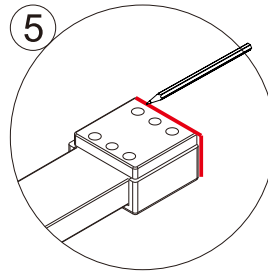
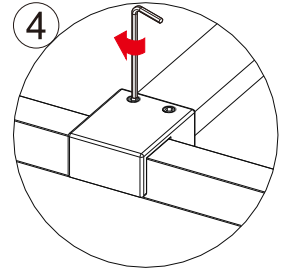
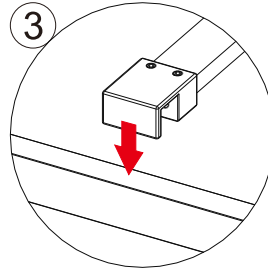
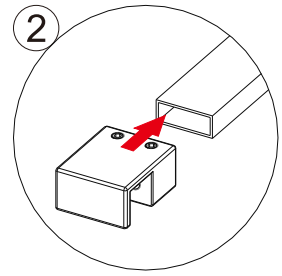
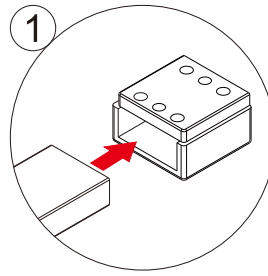
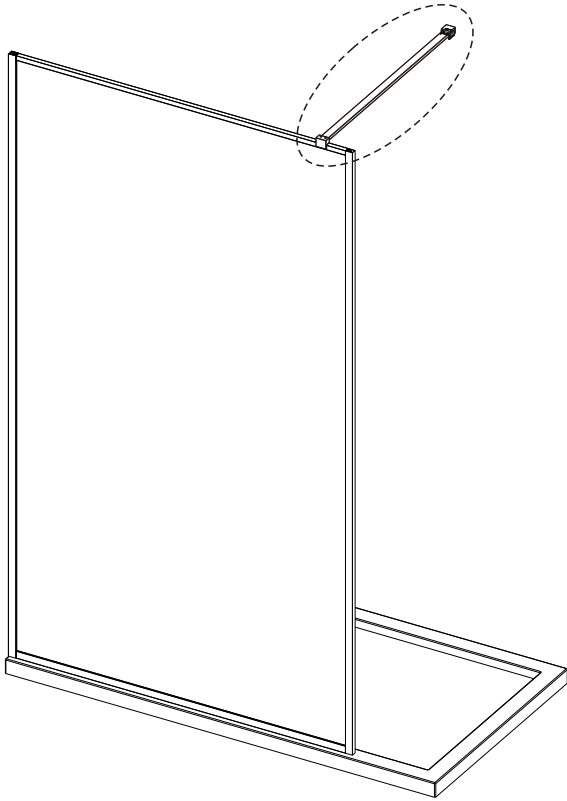
STEP 3 FITTING WALL PROFILE TO THE WALL



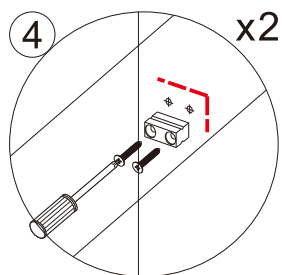
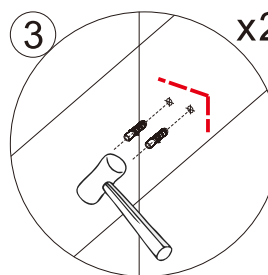
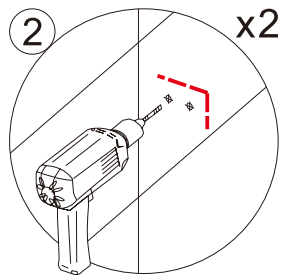
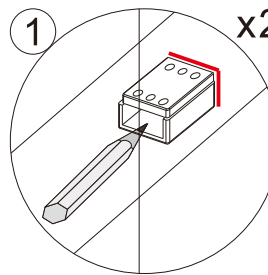
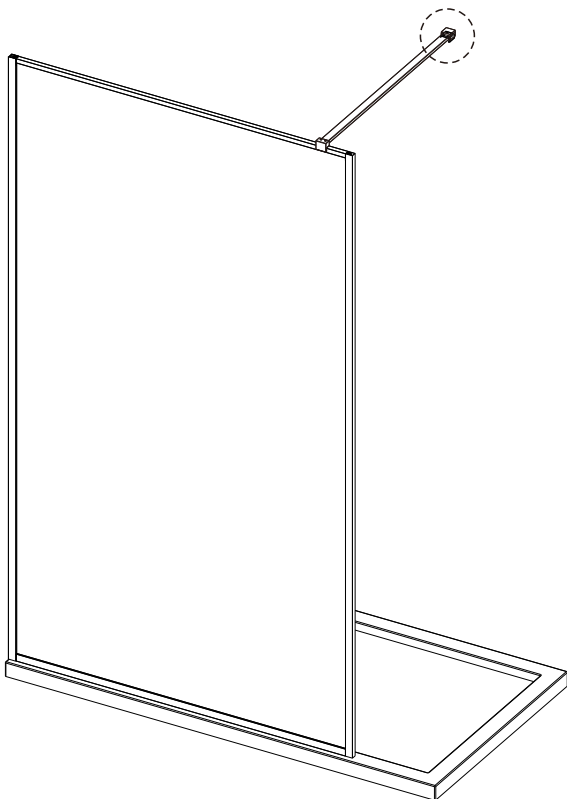
STEP 4 FITTING THE FIXED PANEL



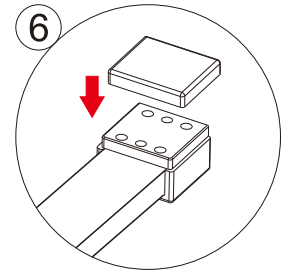
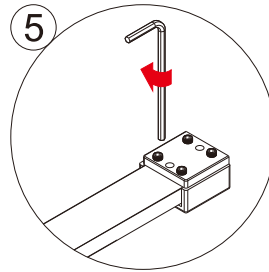
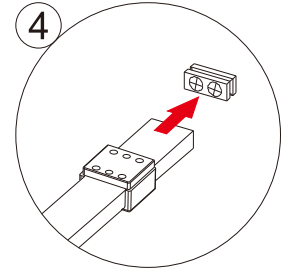
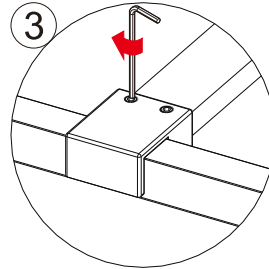
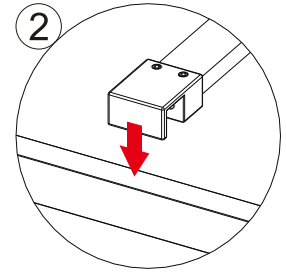
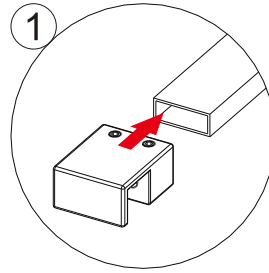
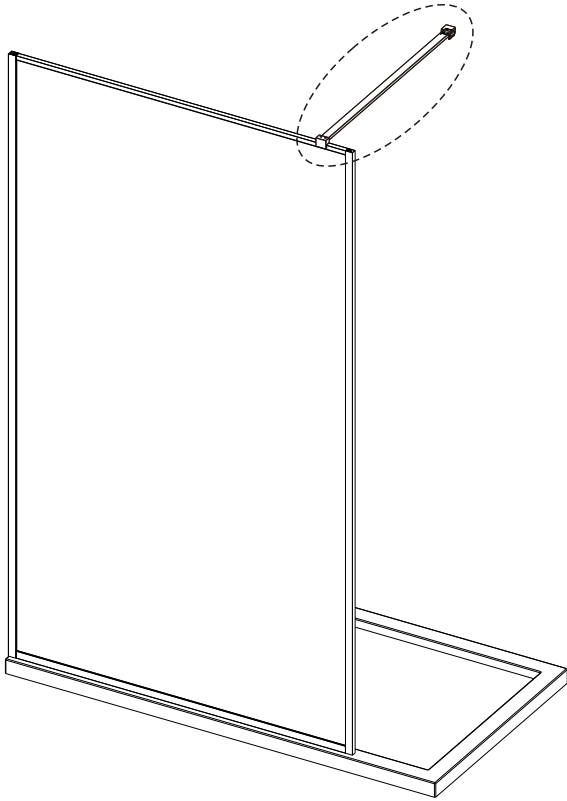
STEP 5 FITTING THE TOP BAR



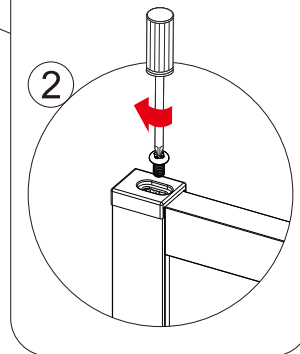
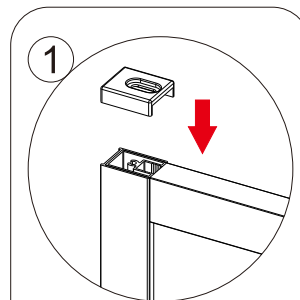
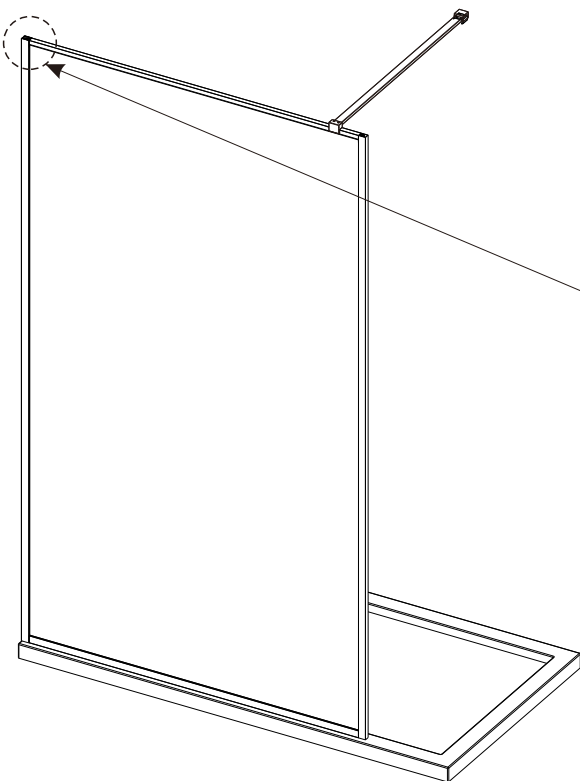
STEP 6 FITTING THE TOP BAR



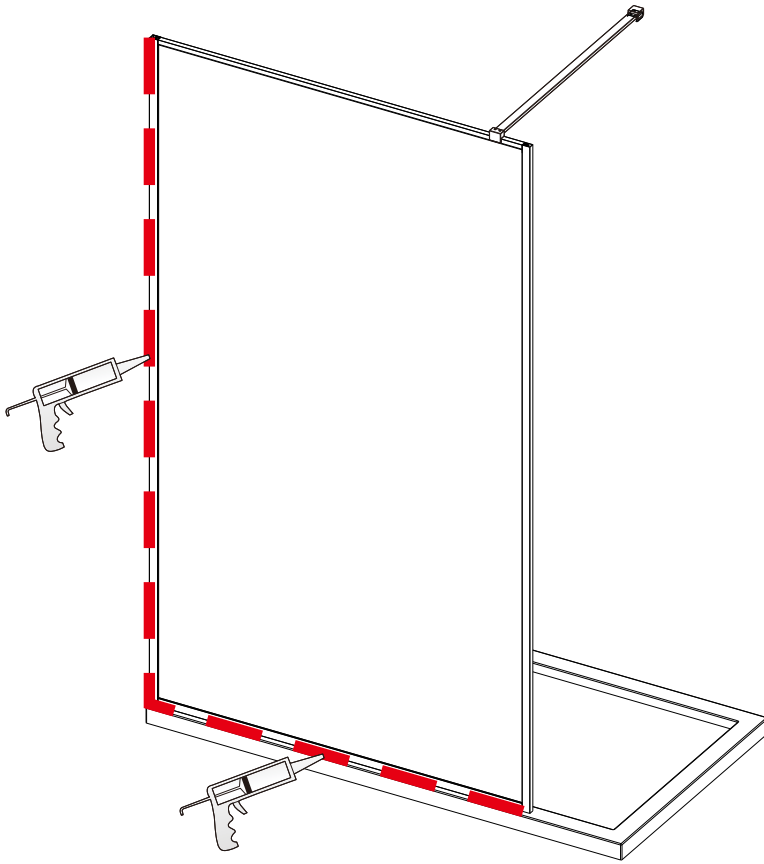
STEP 7 FITTING THE TOP BAR



STEP 8 FITTING THE COVER CAP



STEP 9 SILICONE TO THE EDGE



Allow 24 hours for silicone to dry before use.