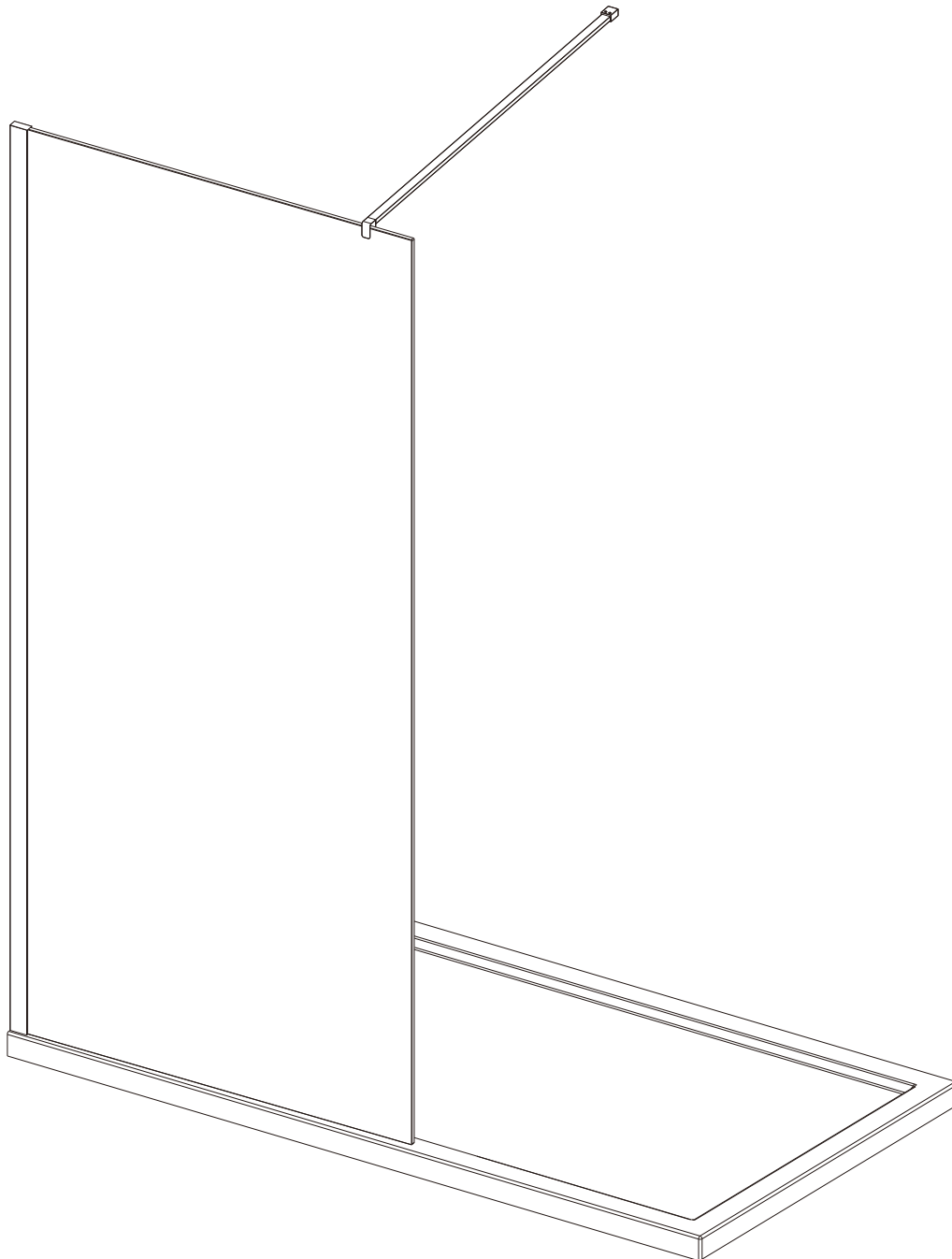


DAWN

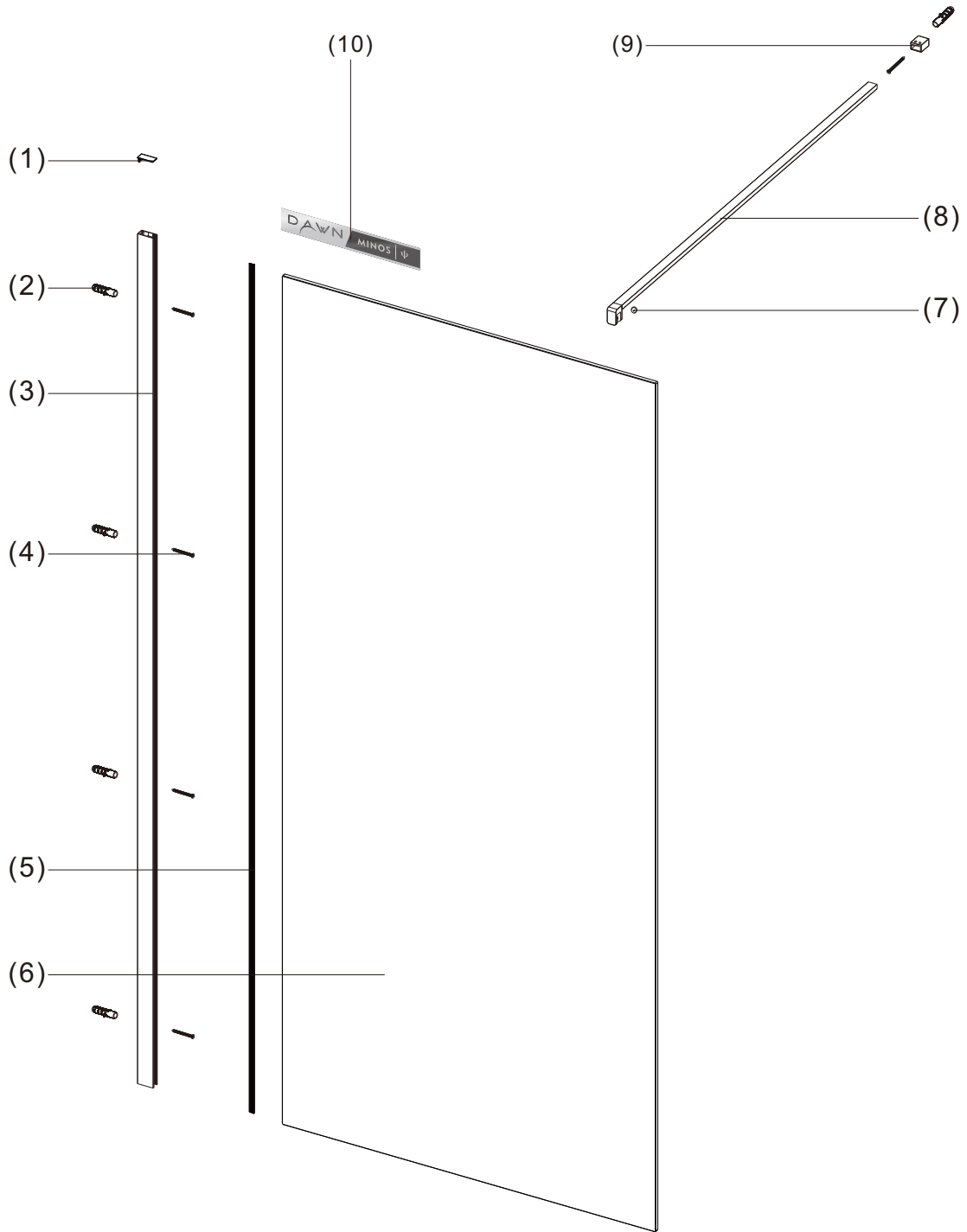
MINOS | WALK-IN ENCLOSURE RANGE

10MM WETROOM GLASS PANEL



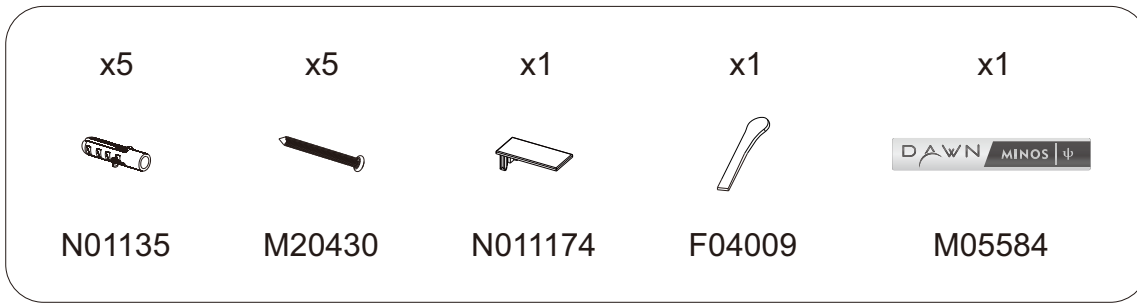
ASSEMBLY INSTRUCTIONS - DRAWING

NB: ALL MEASUREMENTS + COMPONENT SIZES QUOTED ARE IN MM.

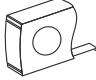

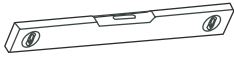
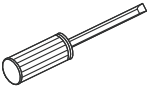
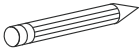
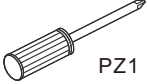

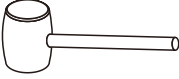





Parts List				Parts List			
1	N011174	Wall Profile Cover Cap	1	6	A	Fixed Panel	1
2	N01135	Wall Plugs	5	7	N01046	Glass Clamp Cover Cap	1
3	LCZ217	Wall Profile	1	8	M03179	Top Bar	1
4	M20430	Screws ST4x30	5	9	M05102	Wall Bracket	1
5	JT0058-2.5T	Wedge Gasket Seal	1	10	M05584	MINOS Scutcheon	1

FIXING KIT COMPONENTS

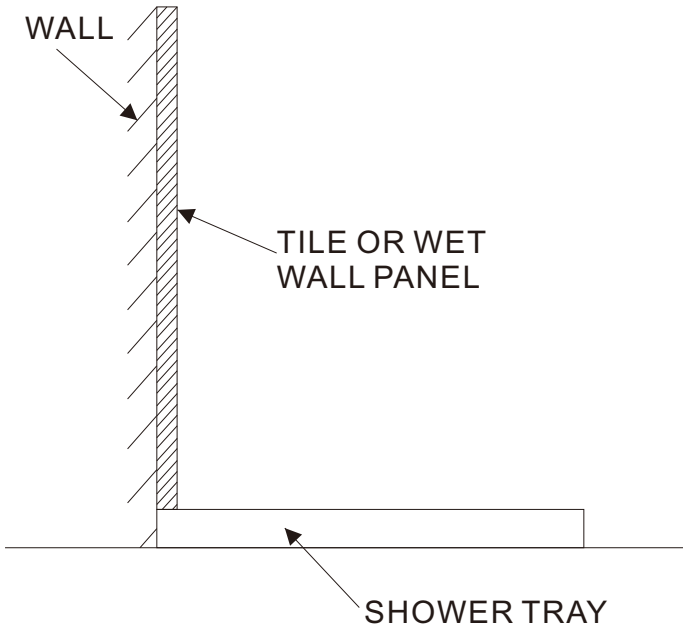


TOOLS REQUIRED

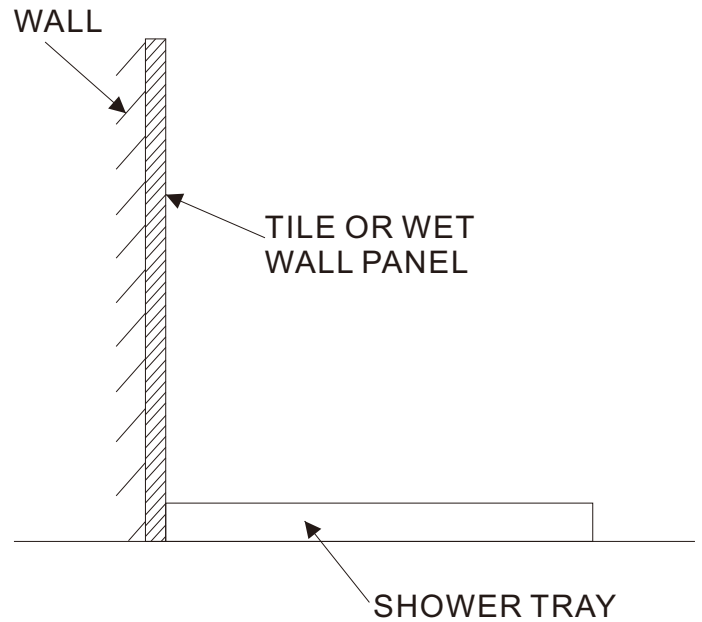
DESCRIPTION	PART IMAGE	DESCRIPTION	PART IMAGE
Tape measure		Drill	
Spirit level		Flat-head Screwdriver	
Pencil		Cross head Screwdriver	 PZ1
Ø6mm,Ø3mm Drill bit		Mallet	
Ø2,Ø2.5,Ø3,Ø4 Allen Key		Silicone Sealant	
Spanner			

STEP 1 DRAWING TO SHOW CORRECT SHOWER TRAY INSTALLATION

YES ✓

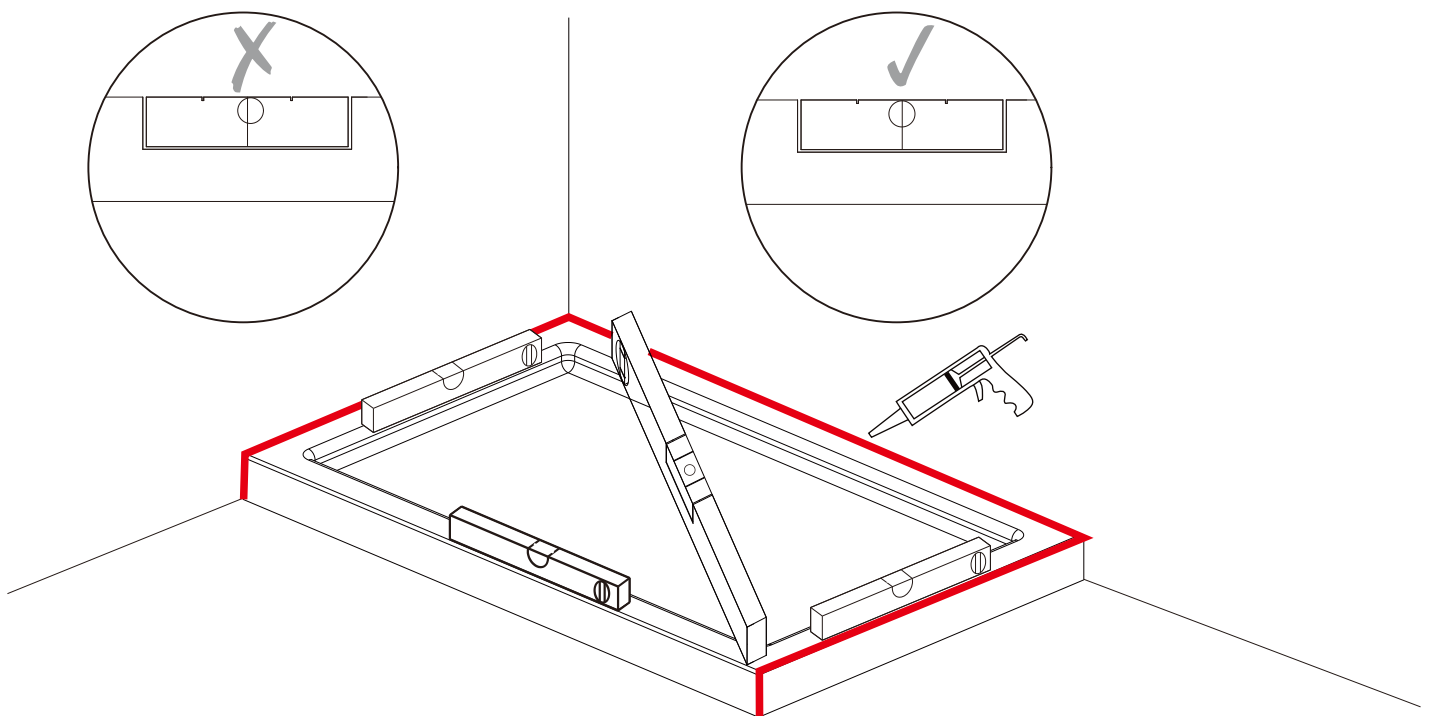


NO ✗



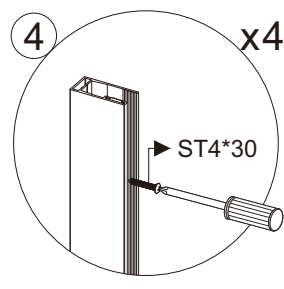
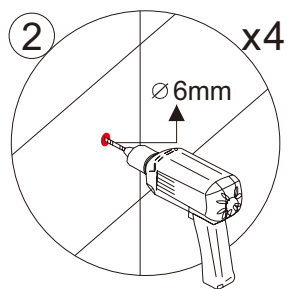
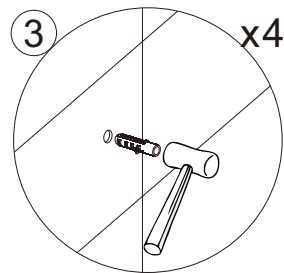
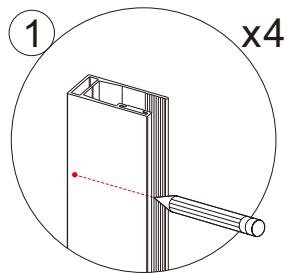
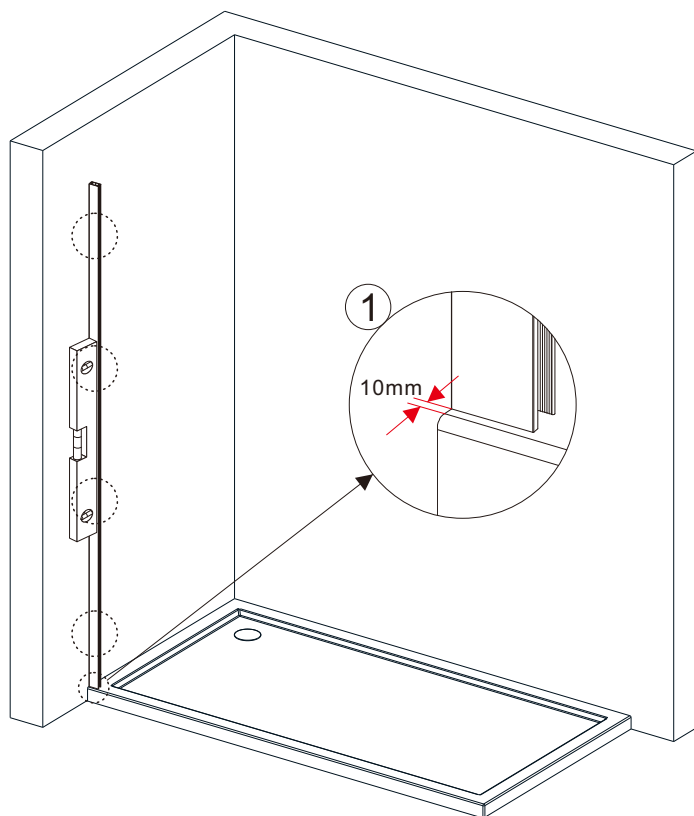
STEP 2 TRAY TO BE LEVEL

MAKE SURE THE TRAY IS LEVEL, USING A SPIRIT LEVEL, BEFORE INSTALLING THIS SHOWER PANEL / DOOR, AND THAT SILICONE IS APPLIED ON ALL SIDES WHERE THE TRAY MEETS THE TILES / WET WALL PANELS.

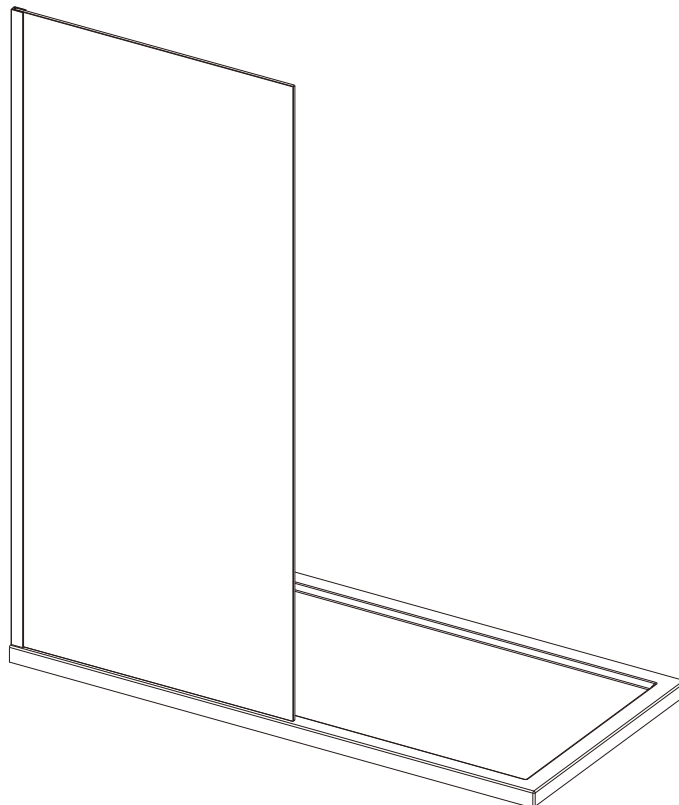
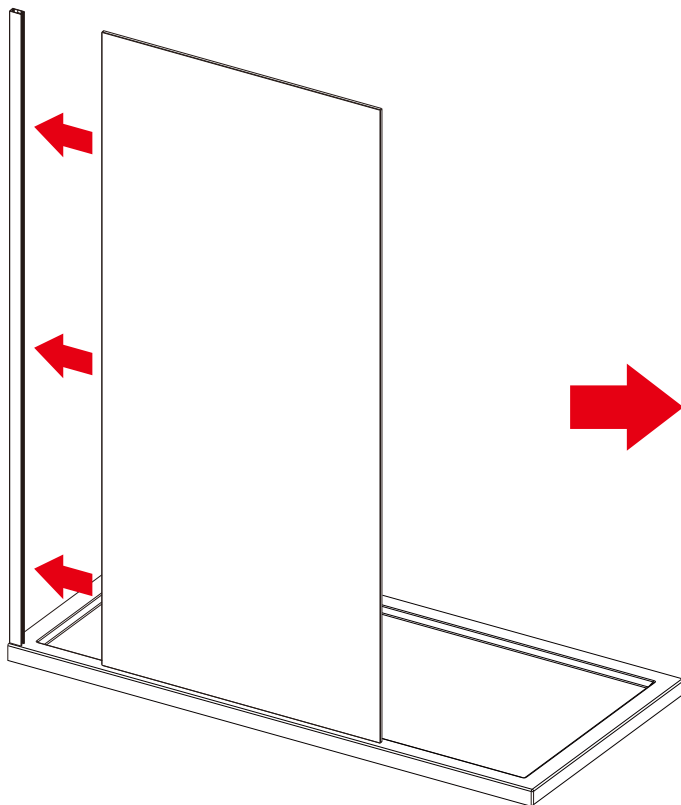


ASSEMBLY WET ROOM GLASS PANEL PLEASE FOLLOW BELOW STEPS

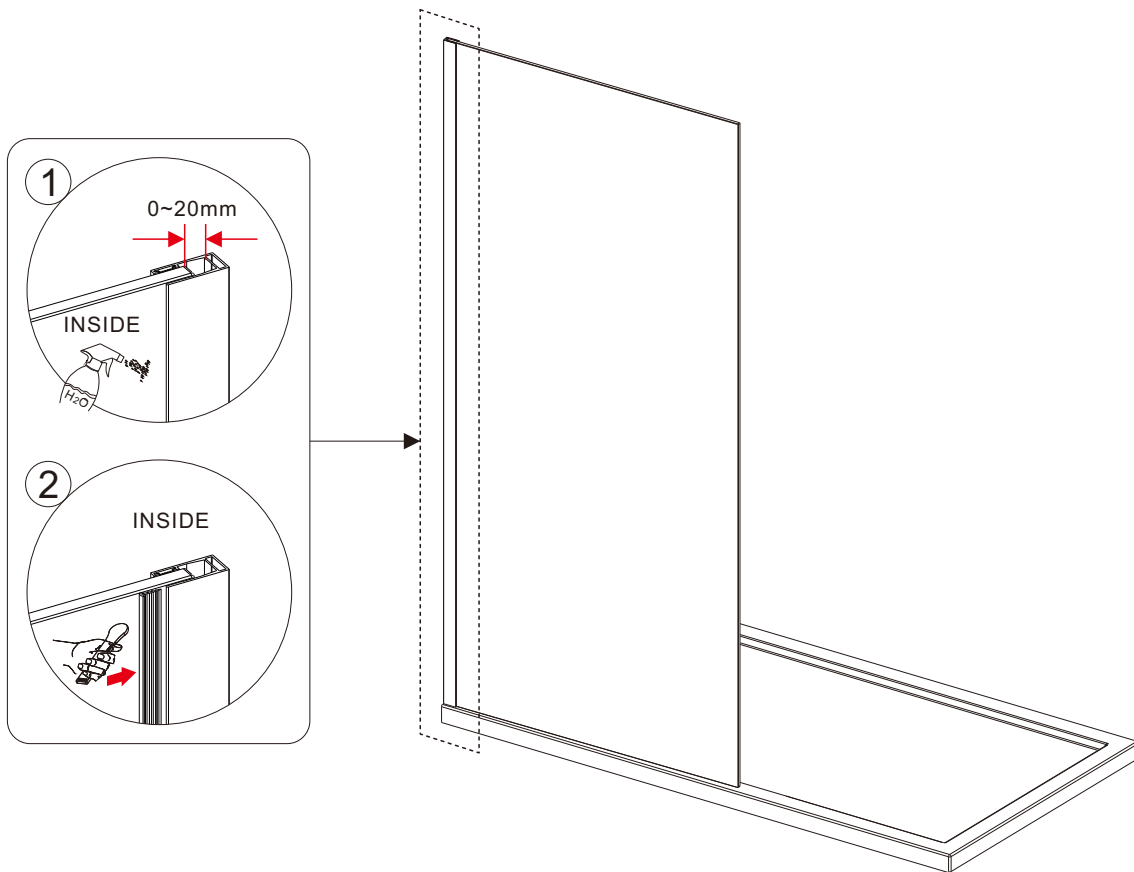
STEP 3 DRILLING WALL PROFILES TO THE WALL



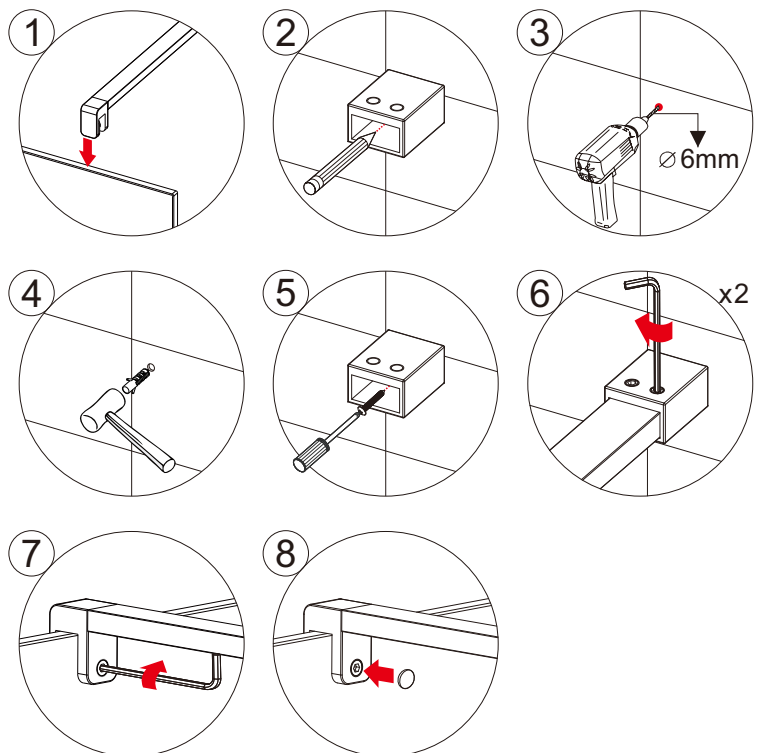
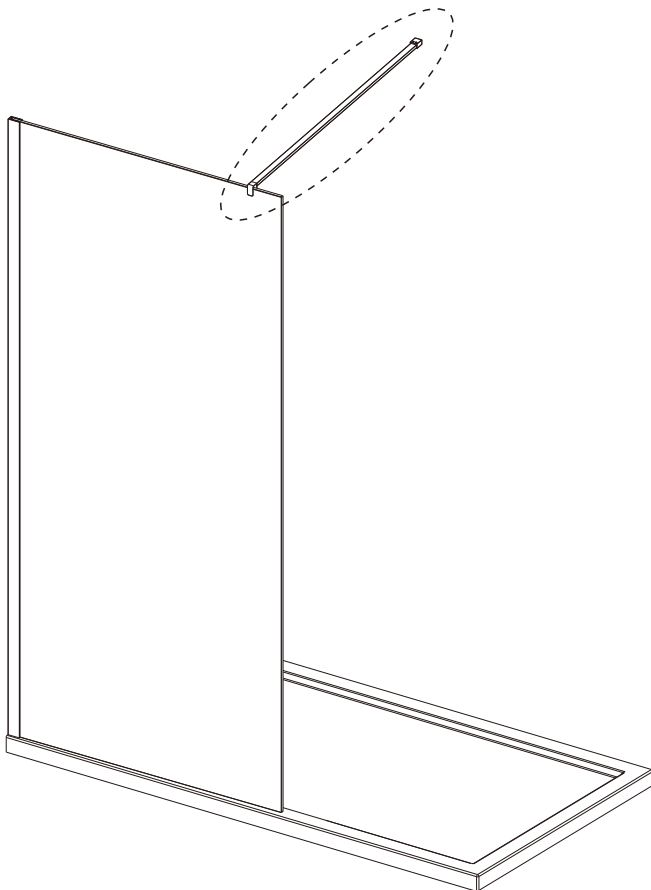
STEP 4 FITTING THE FIXED PANEL



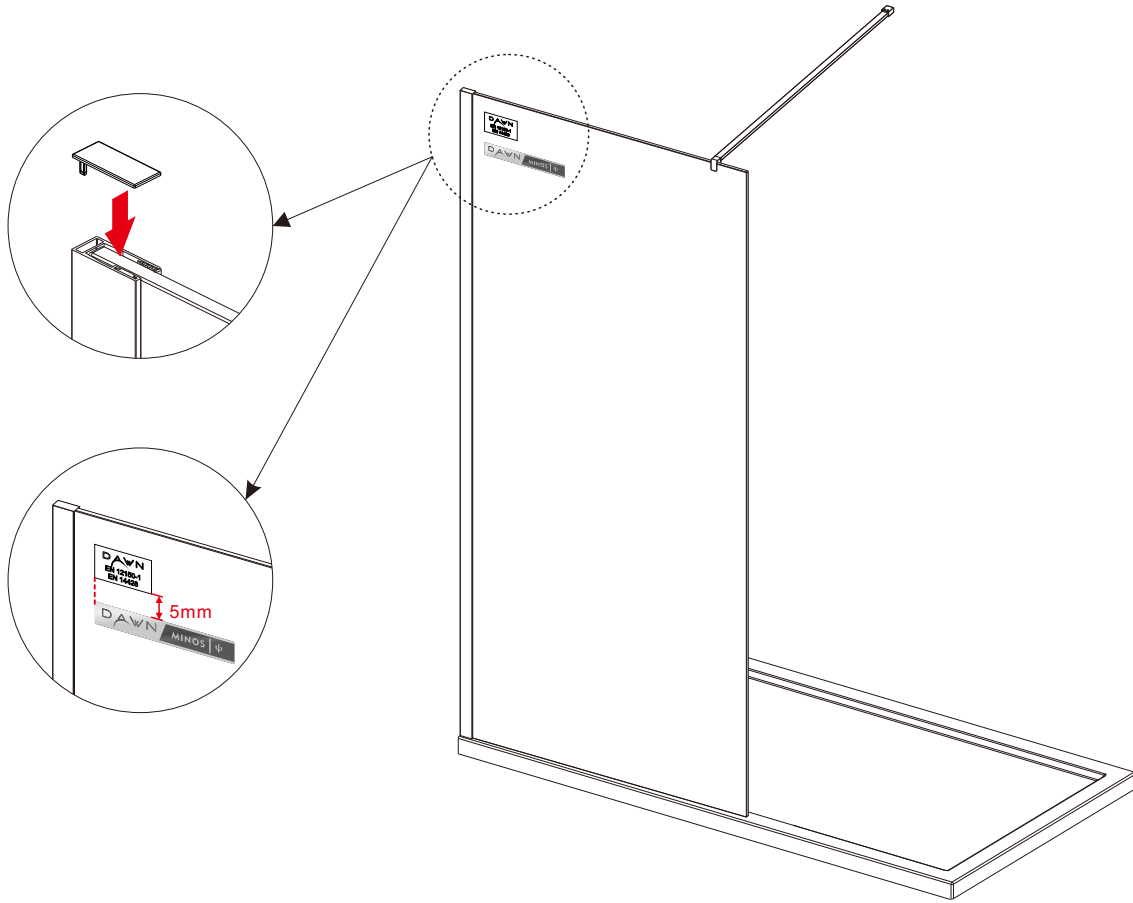
STEP 5 FITTING THE SEALS



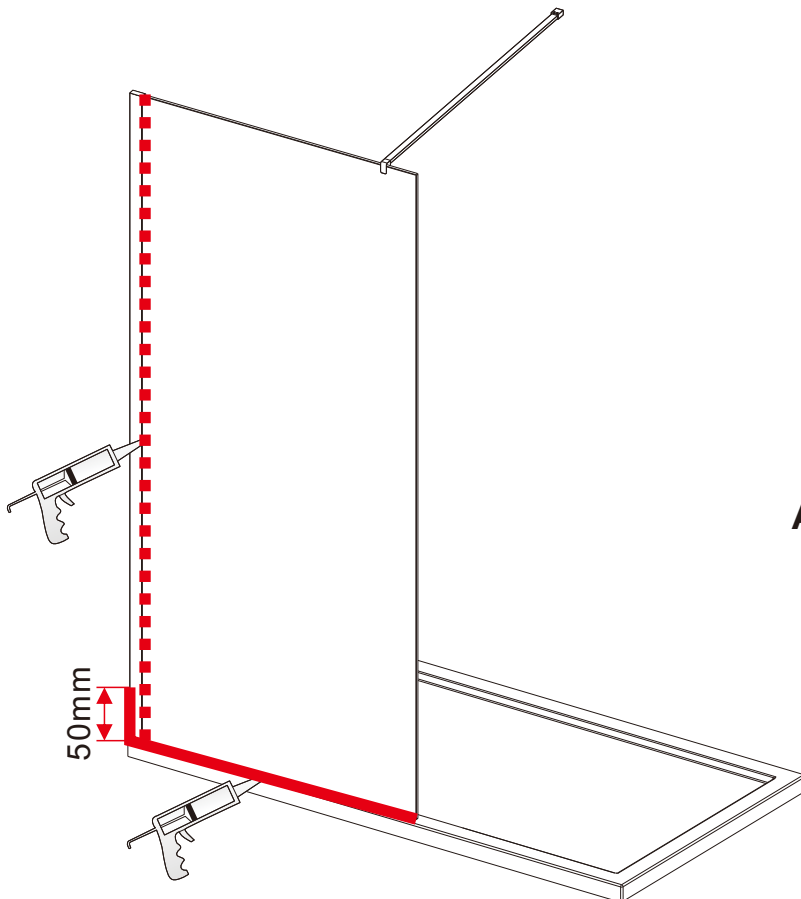
STEP 6 FITTING THE TOP BAR



STEP 7 FITTING THE COVER CAP AND STICK SCUTCHEON



STEP 8 SILICONE TO THE EDGE



Allow 24 hours for silicone to dry before use.