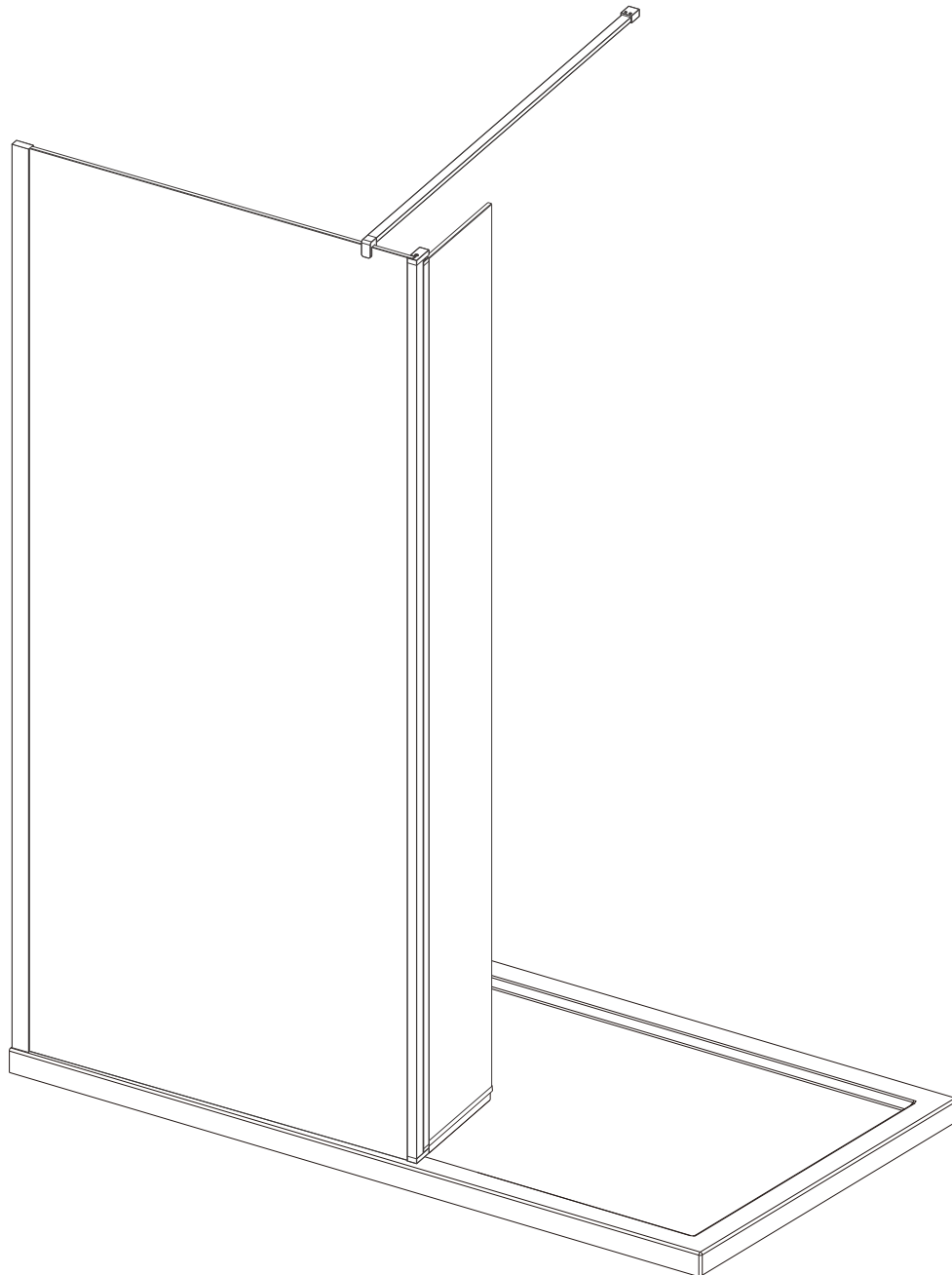


DAWN

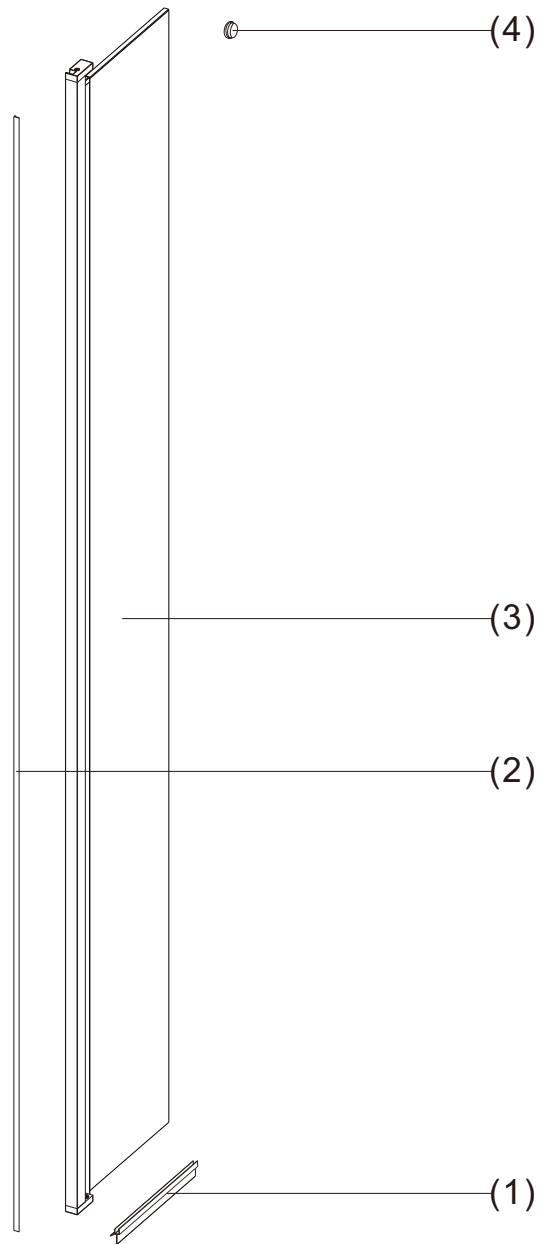
MINOS | WALK-IN ENCLOSURE RANGE

10MM WET ROOM FLIPPER PANEL



ASSEMBLY INSTRUCTIONS - DRAWING

NB: ALL MEASUREMENTS + COMPONENT SIZES QUOTED ARE IN MM.



| Parts List | | | | Parts List | | | |
|------------|------------------|-------------------|---|------------|---------|---------------|---|
| 1 | JT0004-8-14/19TS | Bottom Seal | 1 | 3 | A | Flipper Panel | 1 |
| 2 | JT0030-1.0T | Wedge Gasket Seal | 1 | 4 | N011288 | Epoxy | 1 |

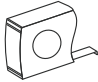


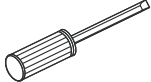
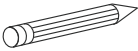
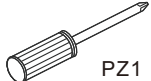

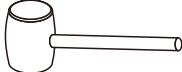



FIXING KIT COMPONENTS

x1

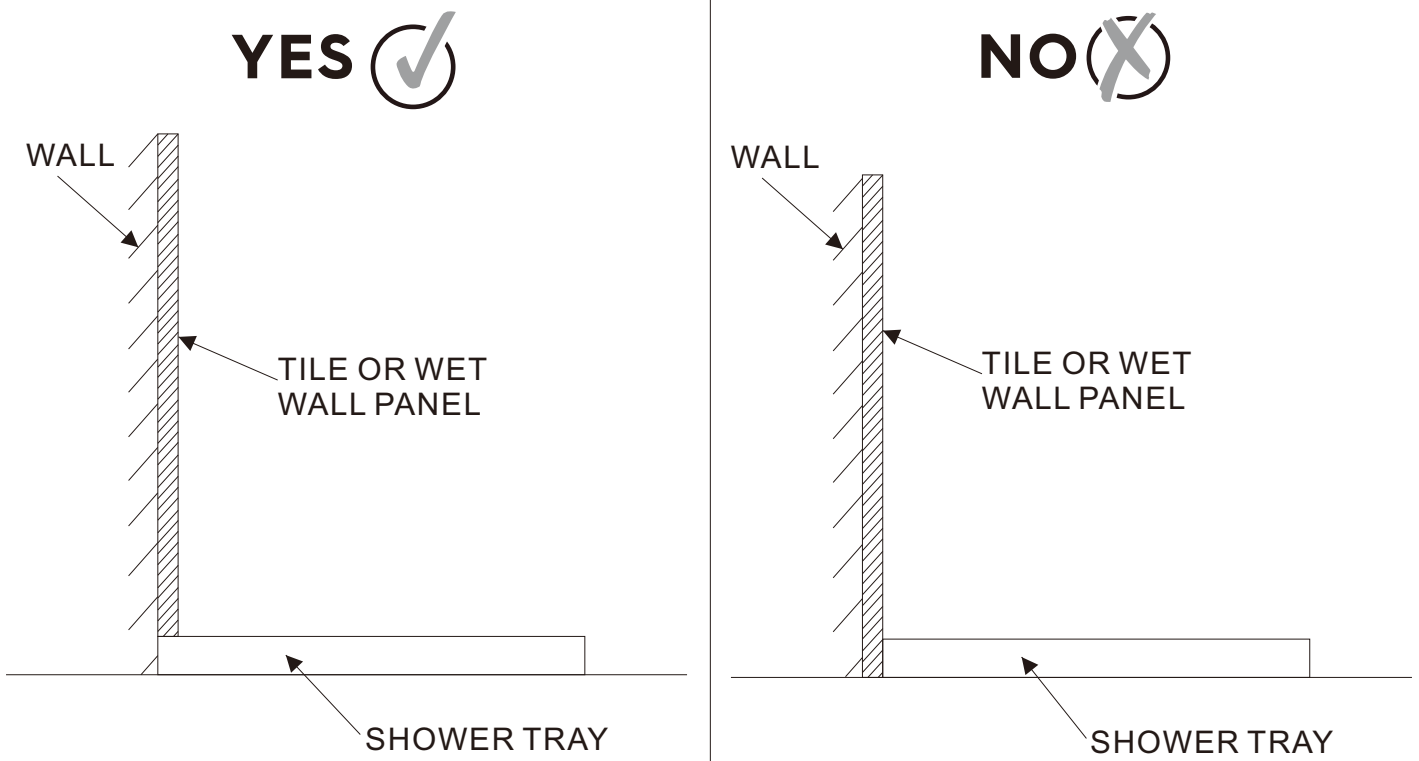


N011288

TOOLS REQUIRED

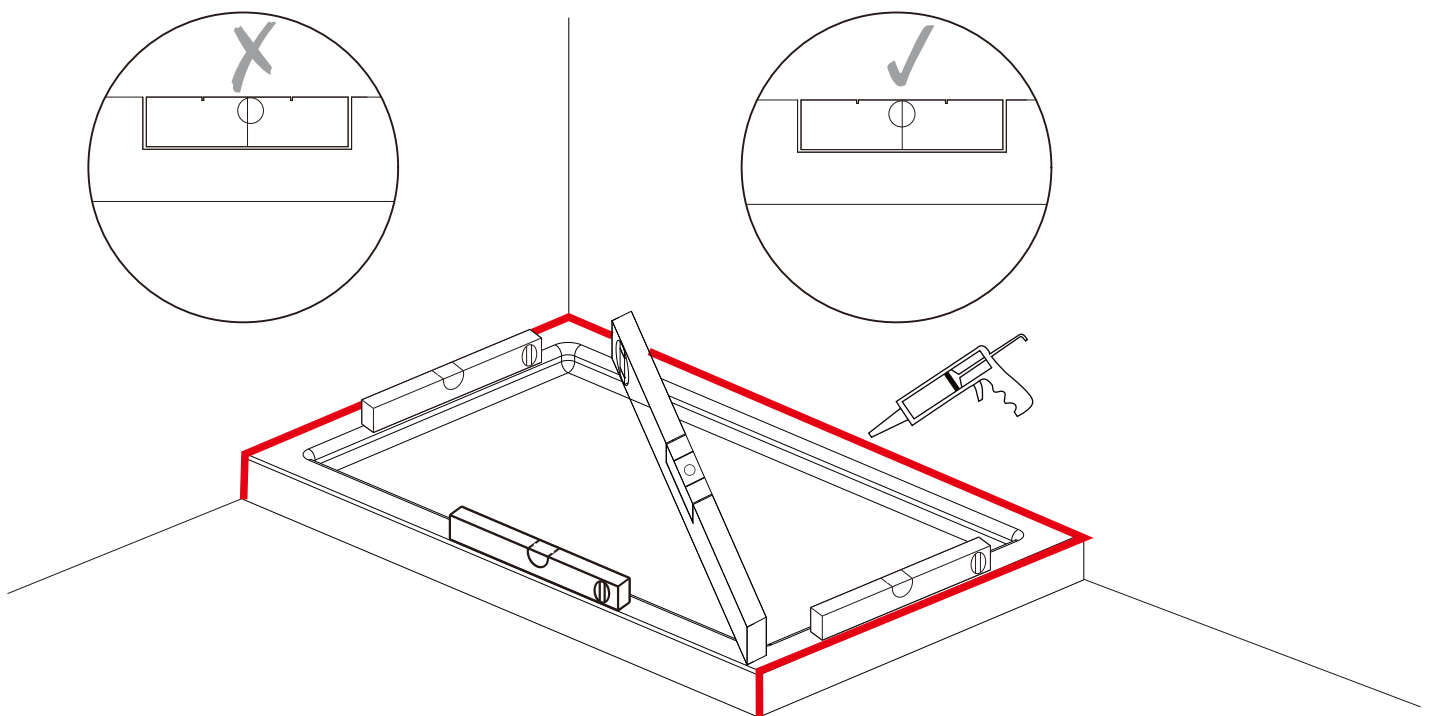
| DESCRIPTION | PART IMAGE | DESCRIPTION | PART IMAGE |
|----------------------------|---|------------------------|---|
| Tape measure |  | Drill |  |
| Spirit level |  | Flat-head Screwdriver |  |
| Pencil |  | Cross head Screwdriver |  PZ1 |
| Ø6mm,Ø3mm Drill bit |  | Mallet |  |
| Ø2,Ø2.5,Ø3,Ø4 Allen Key |  | Silicone Sealant |  |
| Spanner |  | | |

STEP 1 DRAWING TO SHOW CORRECT SHOWER TRAY INSTALLATION



STEP 2 TRAY TO BE LEVEL

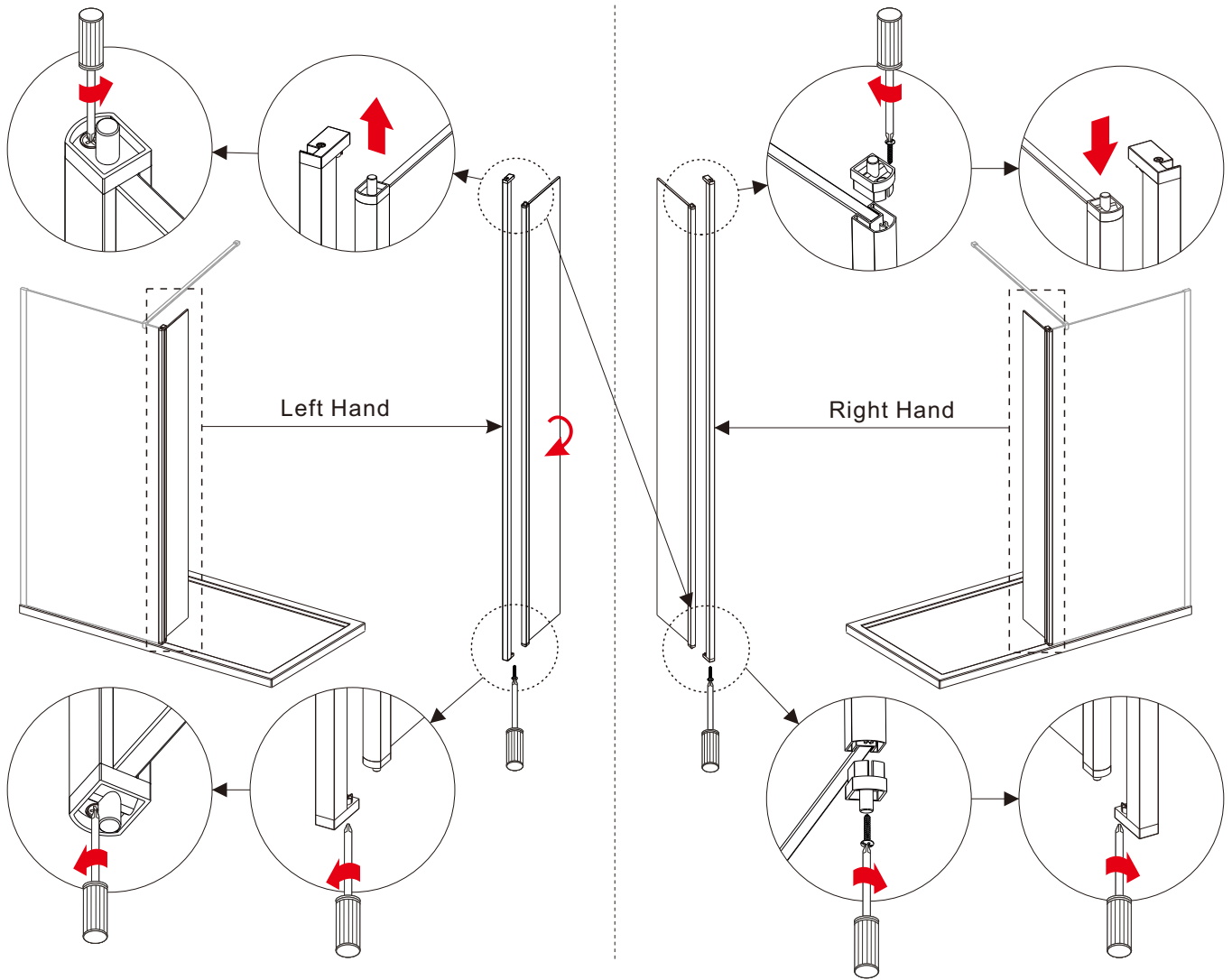
MAKE SURE THE TRAY IS LEVEL, USING A SPIRIT LEVEL, BEFORE INSTALLING THIS SHOWER PANEL / DOOR, AND THAT SILICONE IS APPLIED ON ALL SIDES WHERE THE TRAY MEETS THE TILES / WET WALL PANELS.



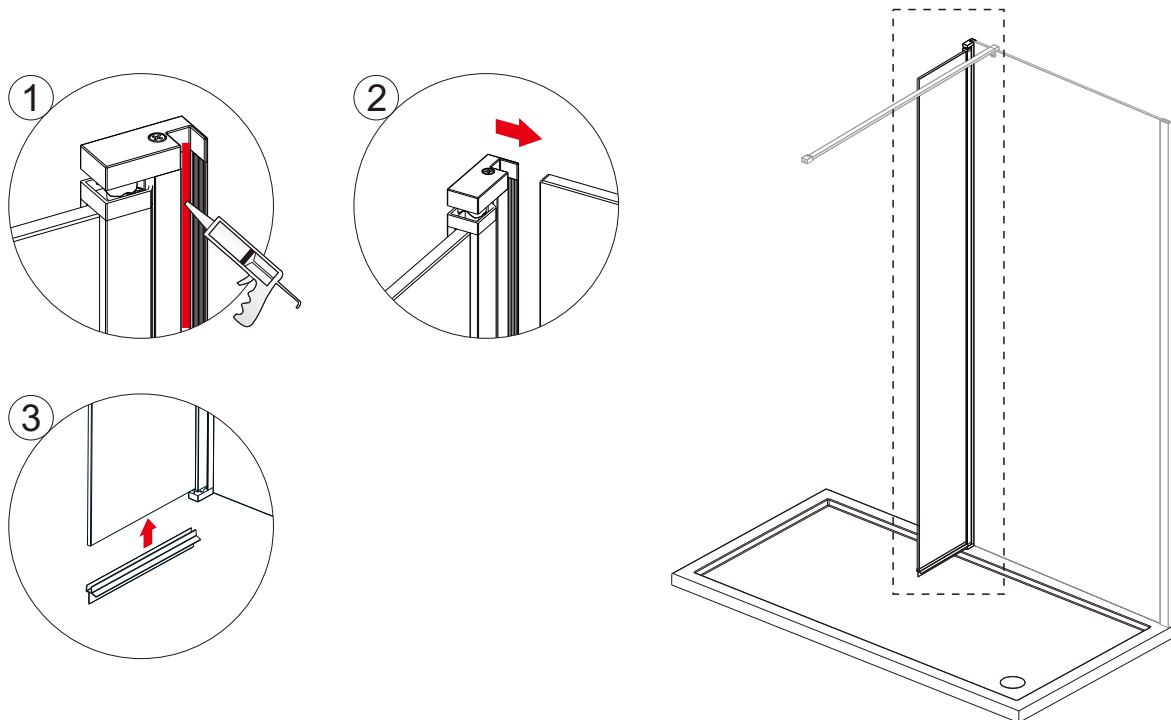
ASSEMBLY WET ROOM FLIPPER PANEL PLEASE FOLLOW BELOW STEPS

STEP 3 CHECK LEFT HAND OR RIGHT HAND FITTING

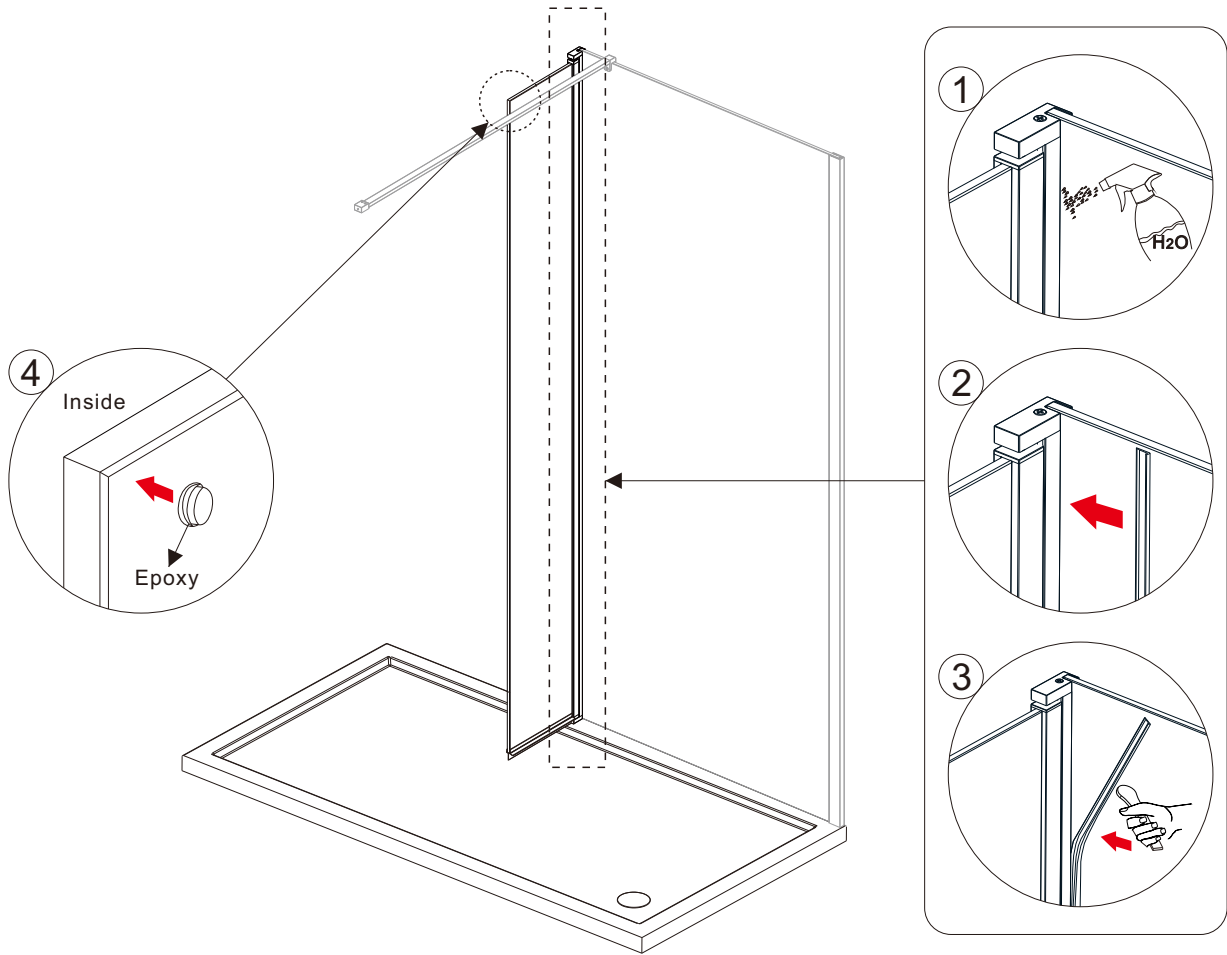
Note: Complete the separated step, please switch the top pivot core from top to the bottom!



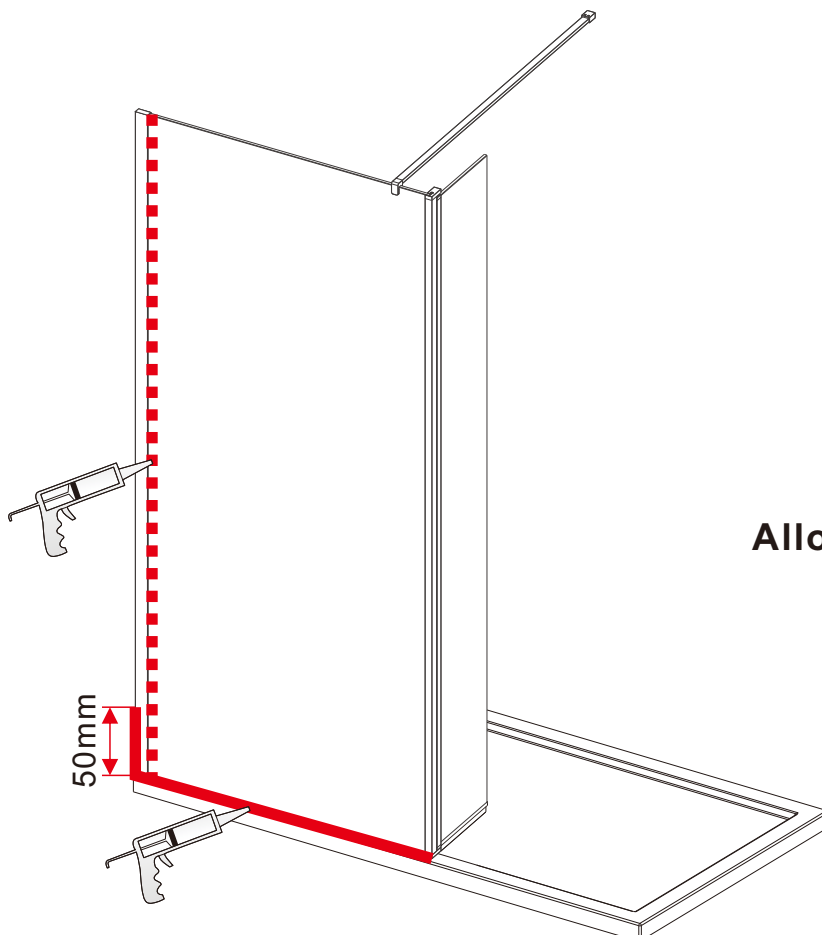
STEP 4 FITTING THE SEALS AND INSTALLING THE FLIPPER PANEL



STEP 5 FITTING THE SEAL



STEP 6 SILICONE TO THE EDGE



Allow 24 hours for silicone to dry before use.