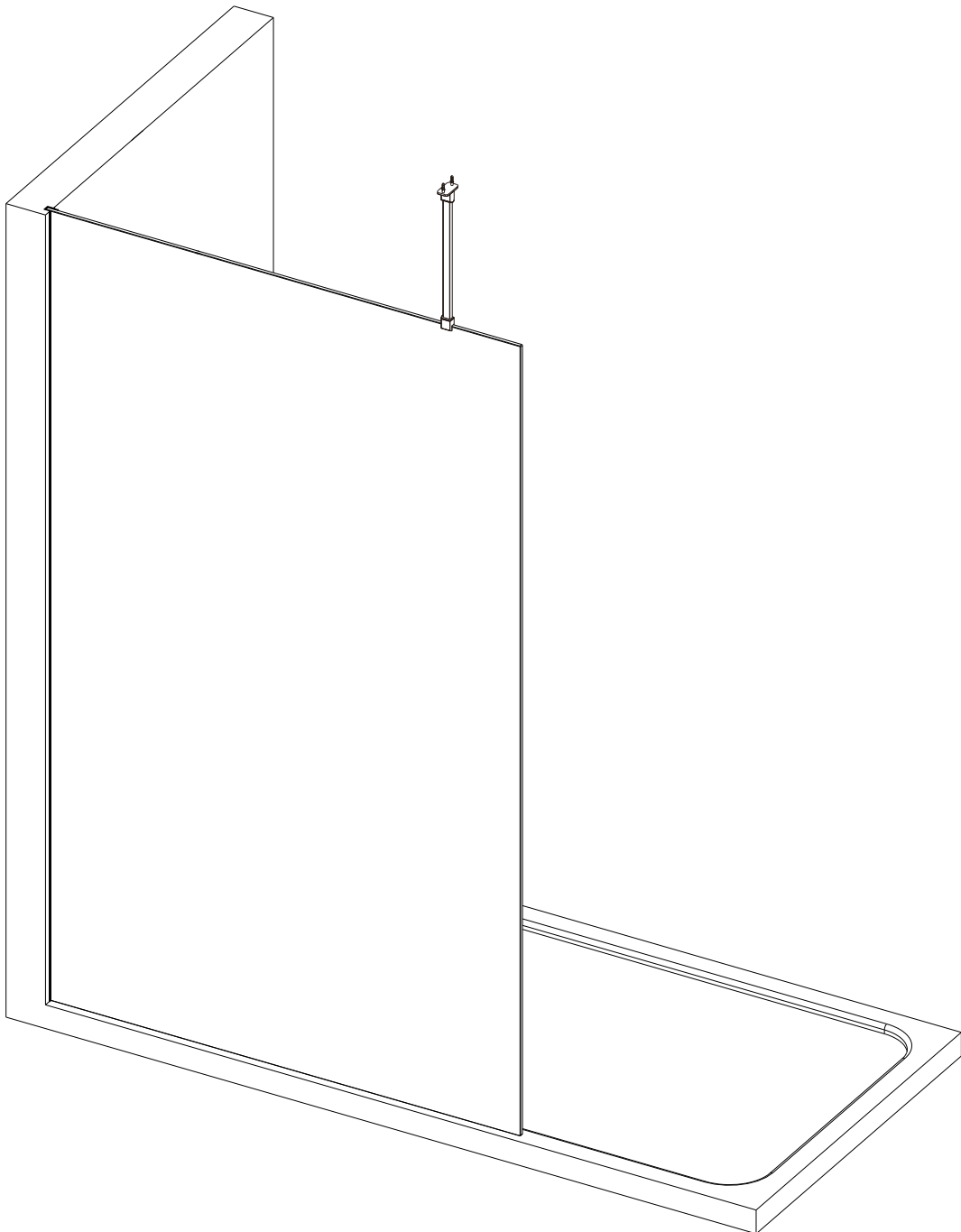


DAWN

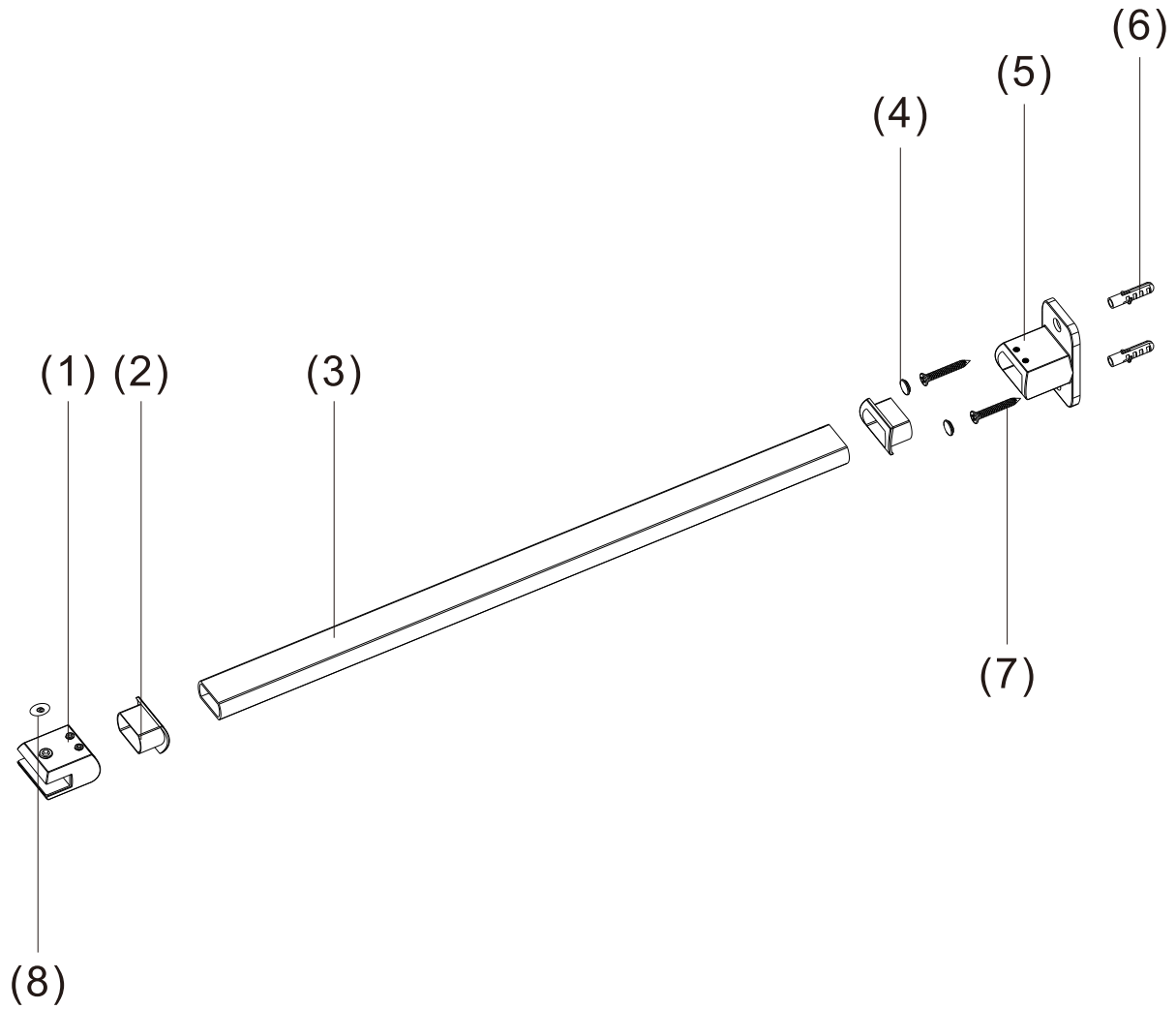
MINOS | WALK-IN ENCLOSURE RANGE

MINOS CEILING STABILISING BAR



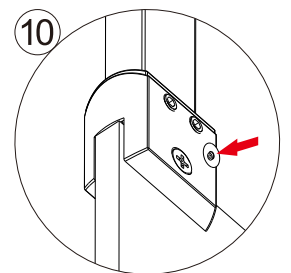
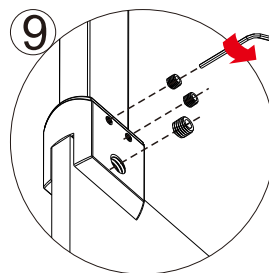
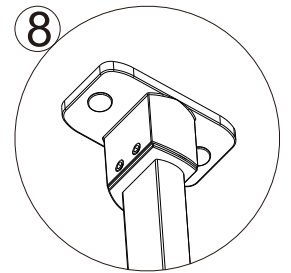
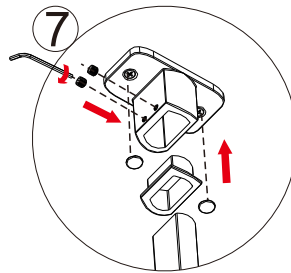
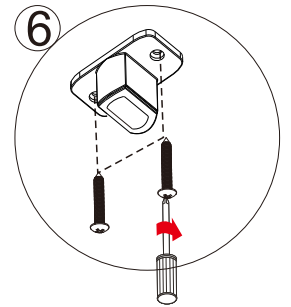
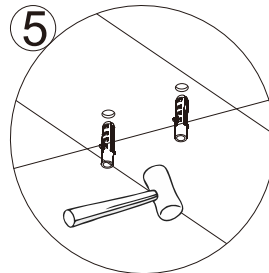
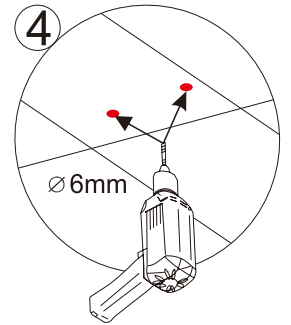
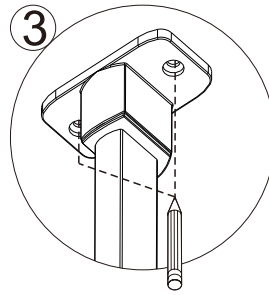
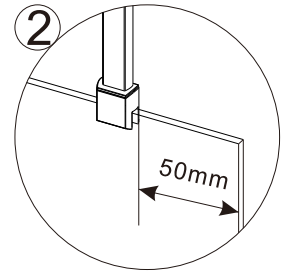
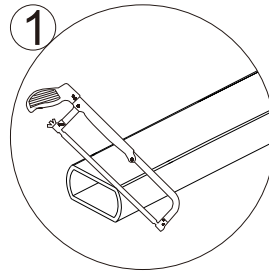
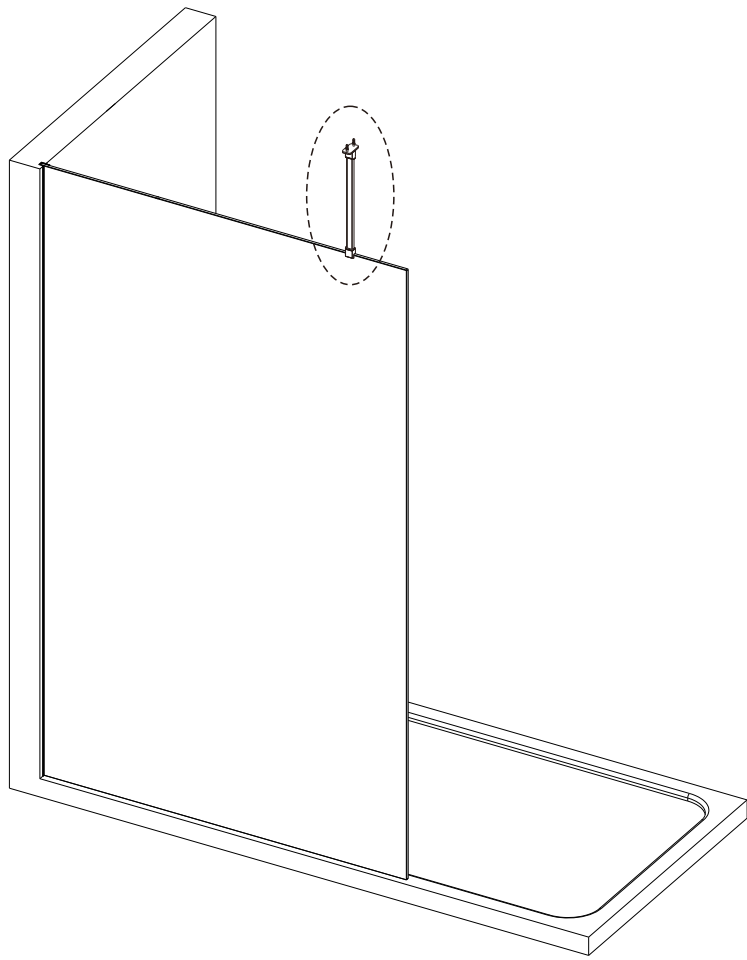
ASSEMBLY INSTRUCTIONS - DRAWING

NB: ALL MEASUREMENTS + COMPONENT SIZES QUOTED ARE IN MM.

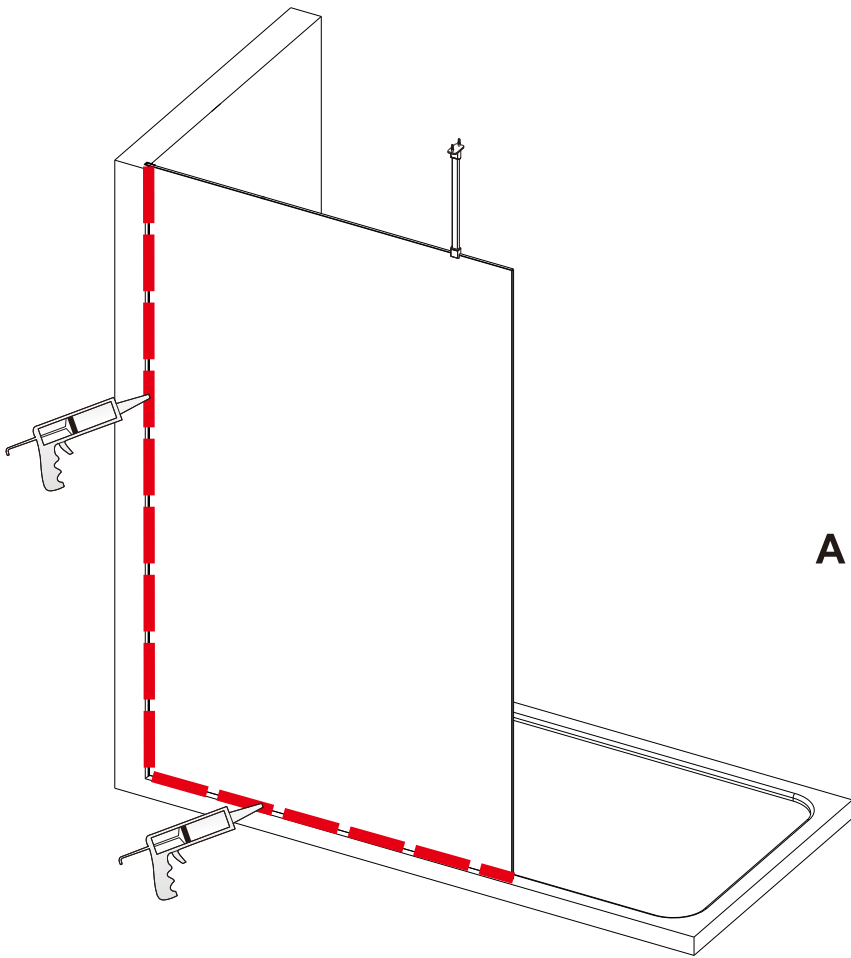


Parts List			
1	M05816	Glass Clip	1
2	N01177	A	2
3	LL0082010	Top Bar	1
4	N011234	Cover Caps	2
5	M05084	Wall Bracket	1
6	N01135	Wall Plugs	1
7	M22430	Screw ST4x30	2
8	N01046	Cover Cap	1

ASSEMBLY WET ROOM FLIPPER PANEL PLEASE FOLLOW BELOW STEPS
STEP 1 FITTING TOP BAR



STEP 2 SILICONE TO THE EDGE



Allow 24 hours for silicone to dry before use.