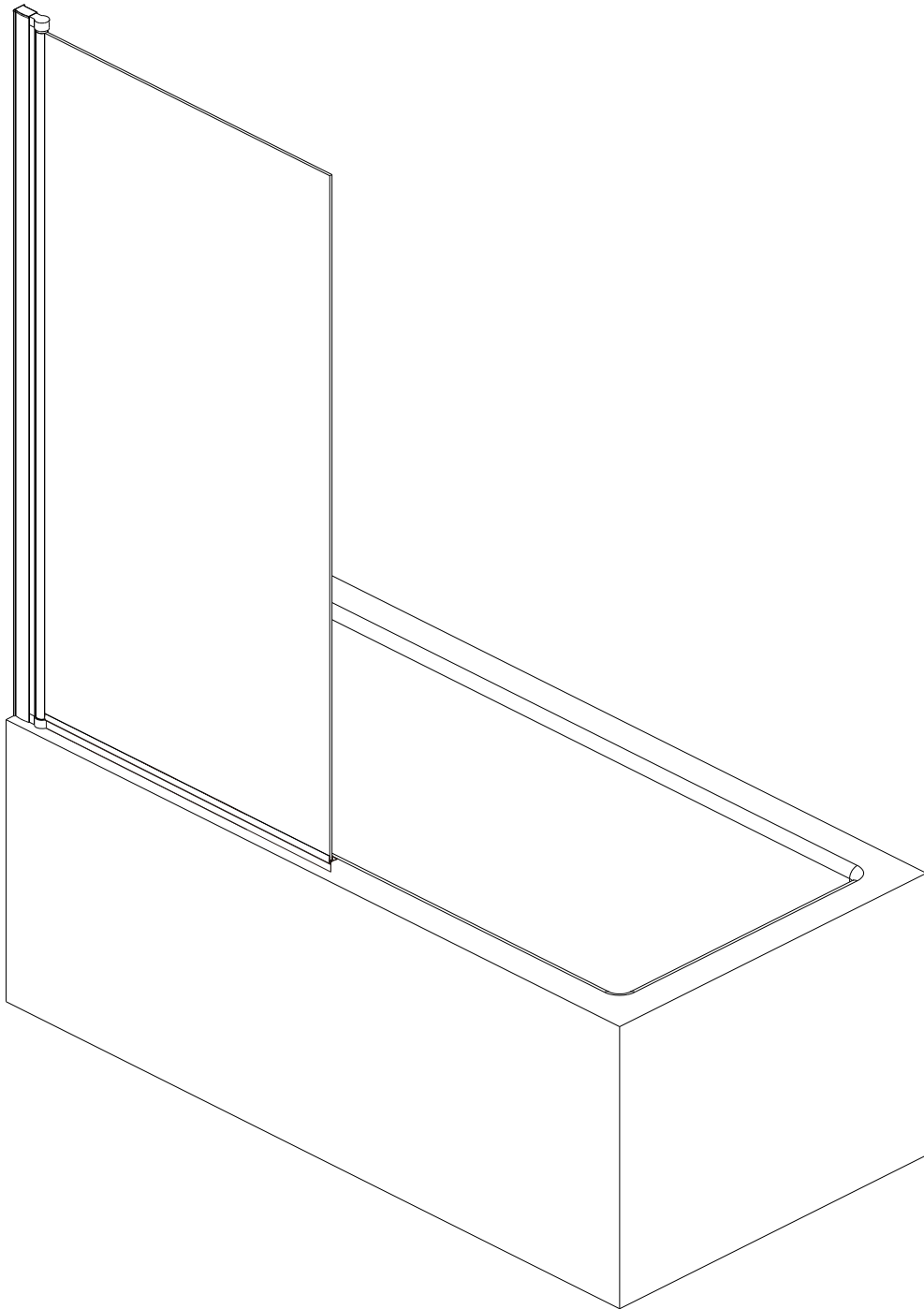


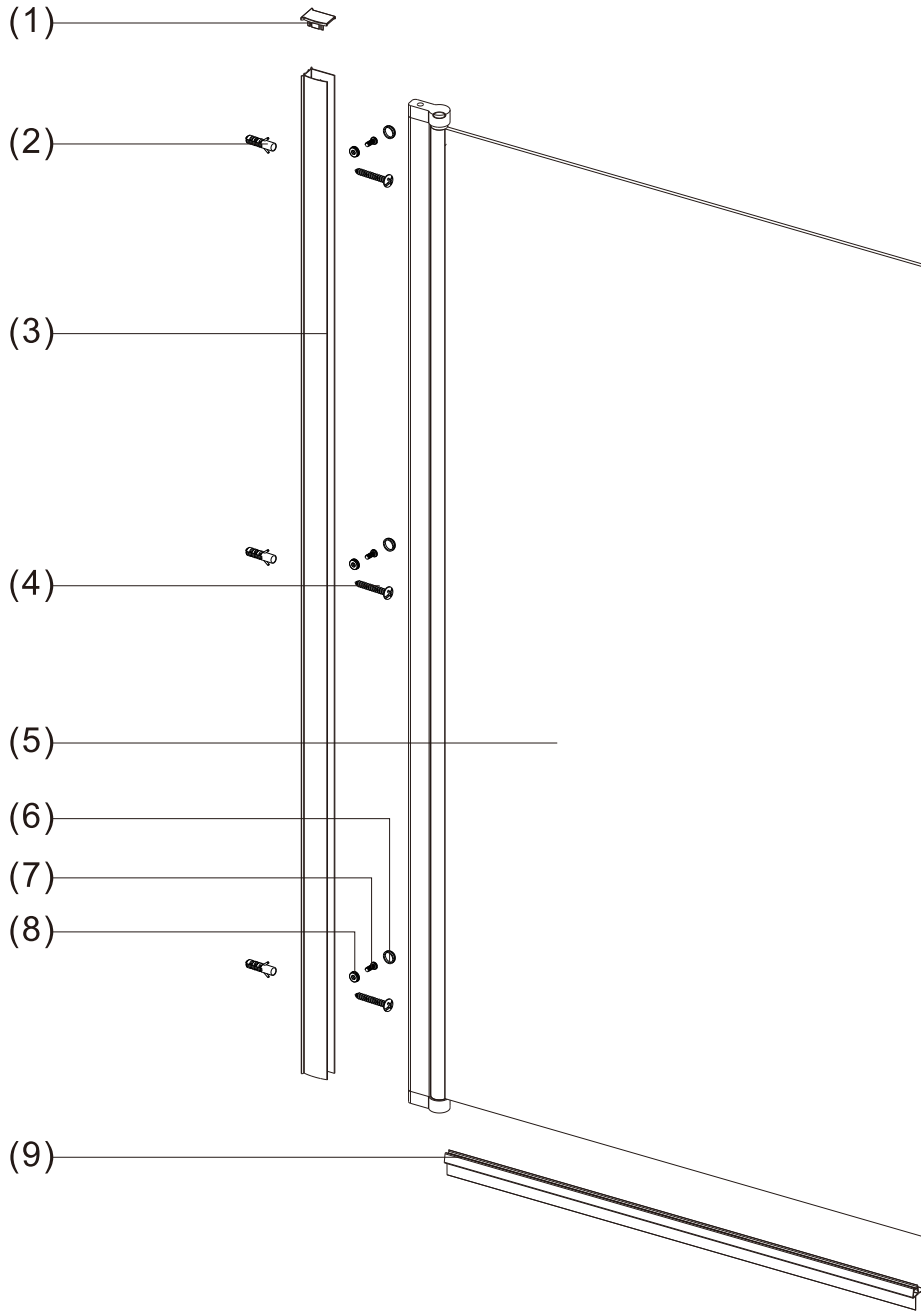
**DAWN**  
THALIA | BATH SCREEN RANGE

## 8MM SINGLE PANEL BATHSCREEN








# ASSEMBLY INSTRUCTIONS - DRAWING


NB: ALL MEASUREMENTS + COMPONENT SIZES QUOTED ARE IN MM.



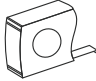


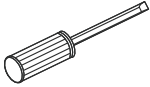
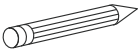
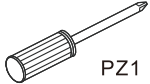
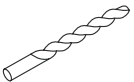
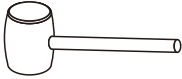

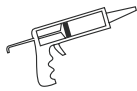
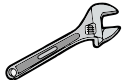
Parts List			Parts List				
1	N01237 & N01238	Wall Profile Cover Caps	2	6	N01041	Screw Cover Caps	3
2	N01135	Wall Plugs	3	7	M20412	Round Screws ST4x12	3
3	LZ0822010	Wall Profile	1	8	N01040	Screw Cover Clips	3
4	M20430	Round Screws ST4x30	3	9	JT0004-8-14/19TS	Bottom Seal	1
5	A	Moving Panel	1				

## FIXING KIT COMPONENTS

x3	x3	x3	x3	x3
				
N01135	M20430	N01040	M20412	N01041

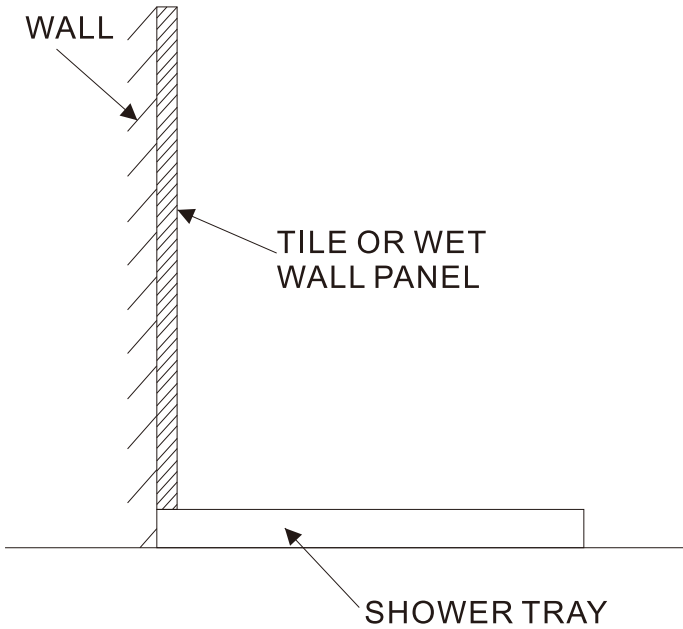
x2

N01237 & N01238

## TOOLS REQUIRED

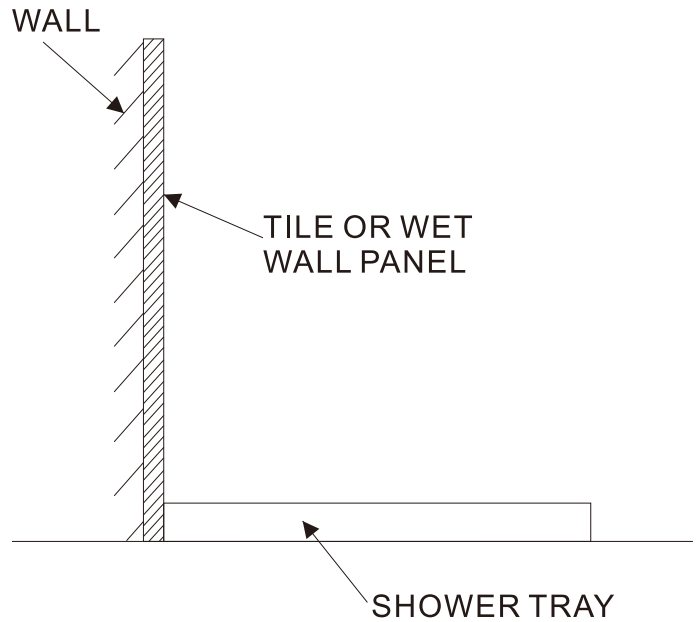
DESCRIPTION	PART IMAGE	DESCRIPTION	PART IMAGE
Tape measure		Drill	
Spirit level		Flat-head Screwdriver	
Pencil		Cross head Screwdriver	 PZ1
Ø6mm,Ø3mm Drill bit		Mallet	
Ø2,Ø2.5,Ø3,Ø4 Allen Key		Silicone Sealant	
Spanner			

# STEP 1 DRAWING TO SHOW CORRECT SHOWER TRAY INSTALLATION

**YES** ✓

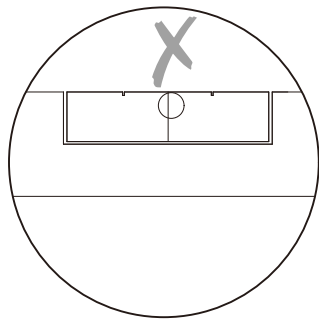


**NO** ✗

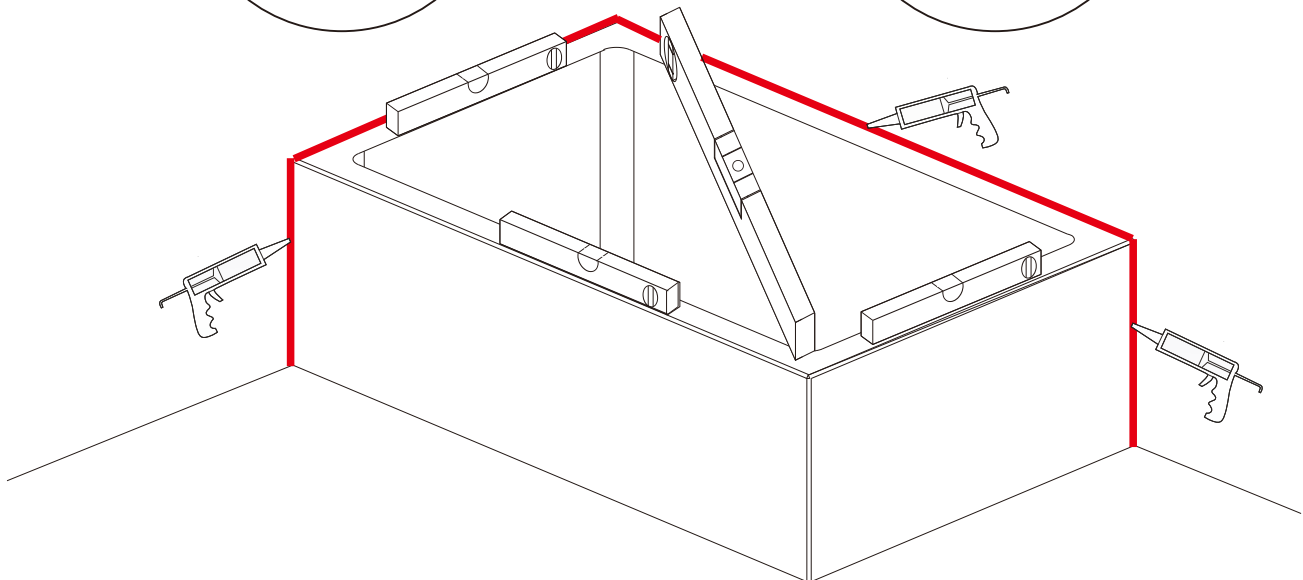
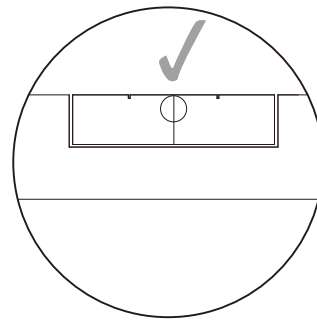


## STEP 2 TRAY TO BE LEVEL

MAKE SURE THE TRAY IS LEVEL, USING A SPIRIT LEVEL, BEFORE INSTALLING THIS SHOWER PANEL / DOOR, AND THAT SILICONE IS APPLIED ON ALL SIDES WHERE THE TRAY MEETS THE TILES / WET WALL PANELS.



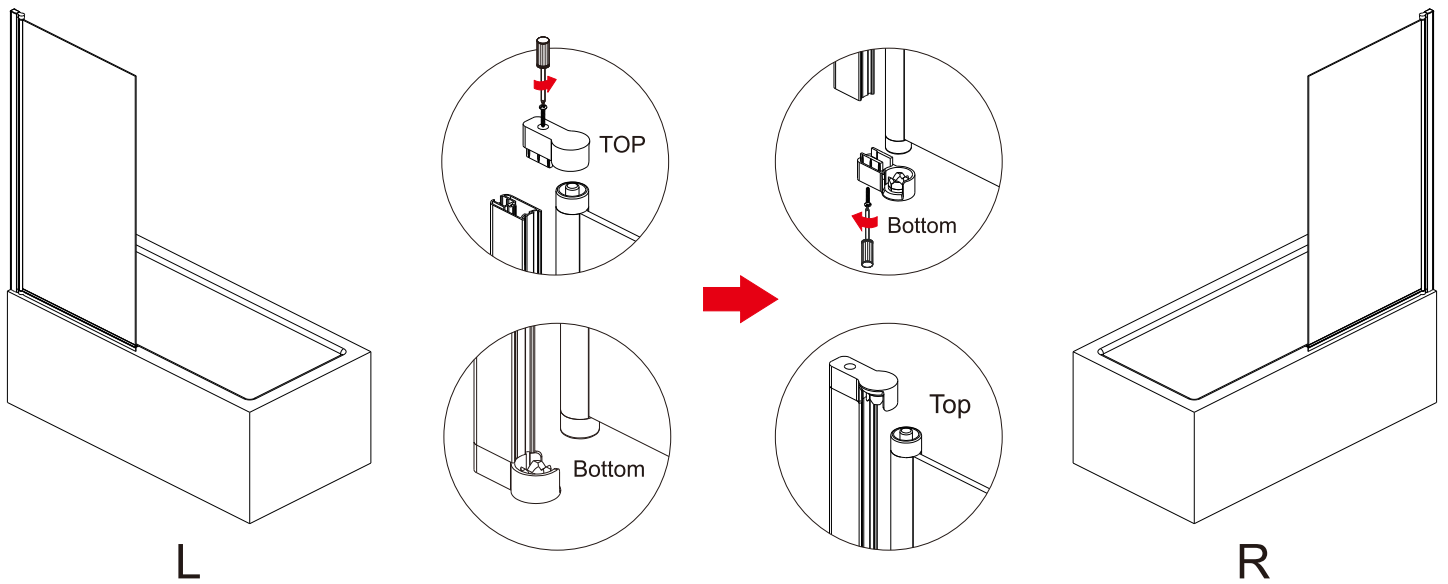
**100% Level!**



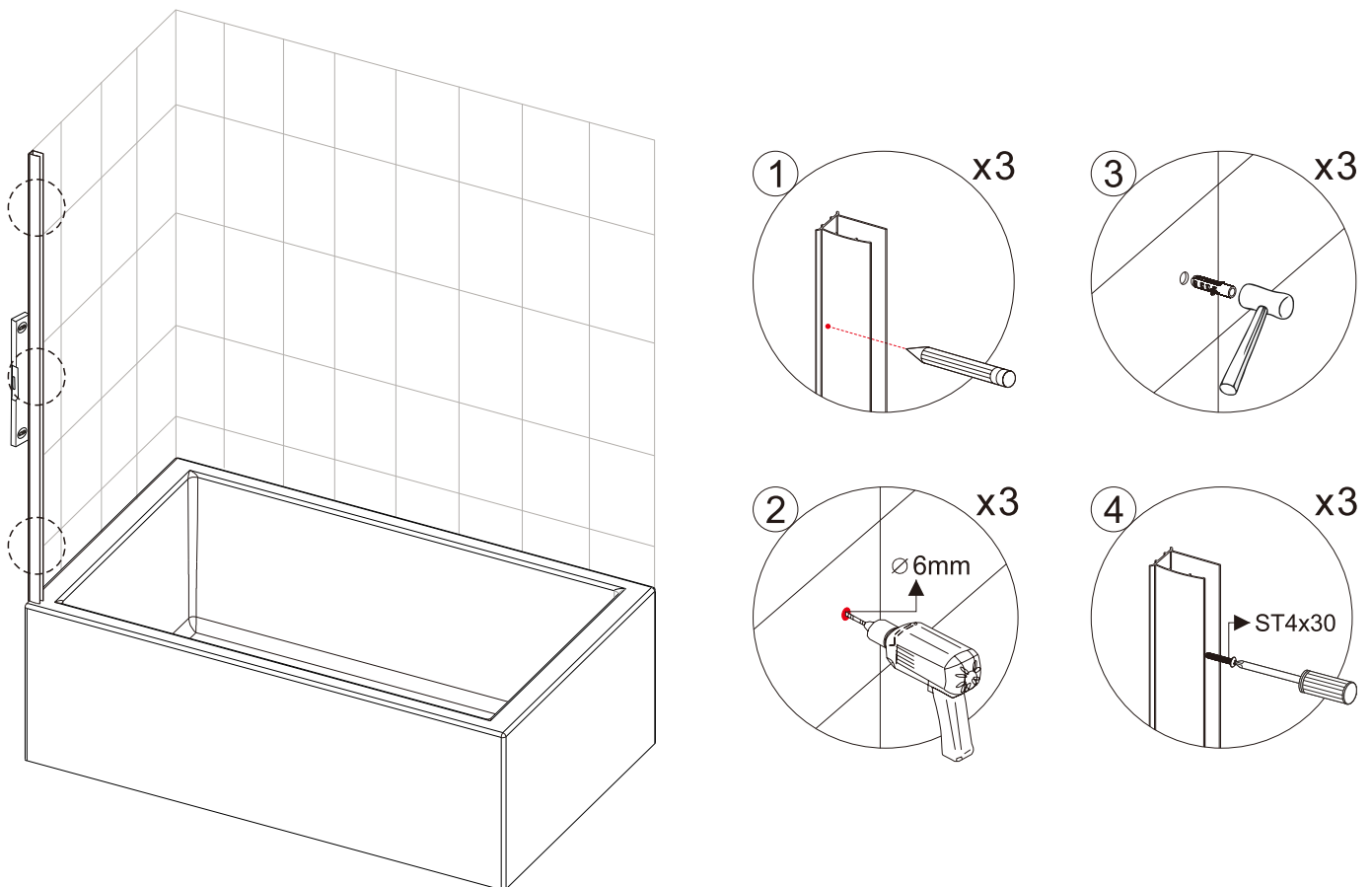
## ASSEMBLY WET ROOM FLIPPER PANEL PLEASE FOLLOW BELOW STEPS

STEP 3 Screen supplied for left-hand fitting, if required to change to right-hand fitting swap the pivot parts as shown below.

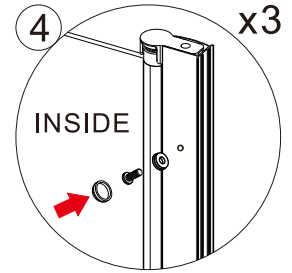
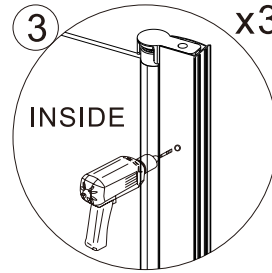
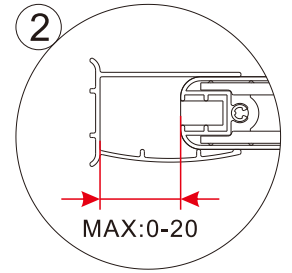
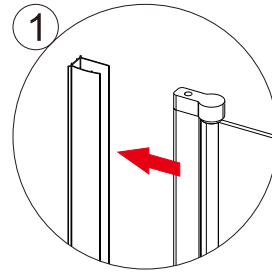
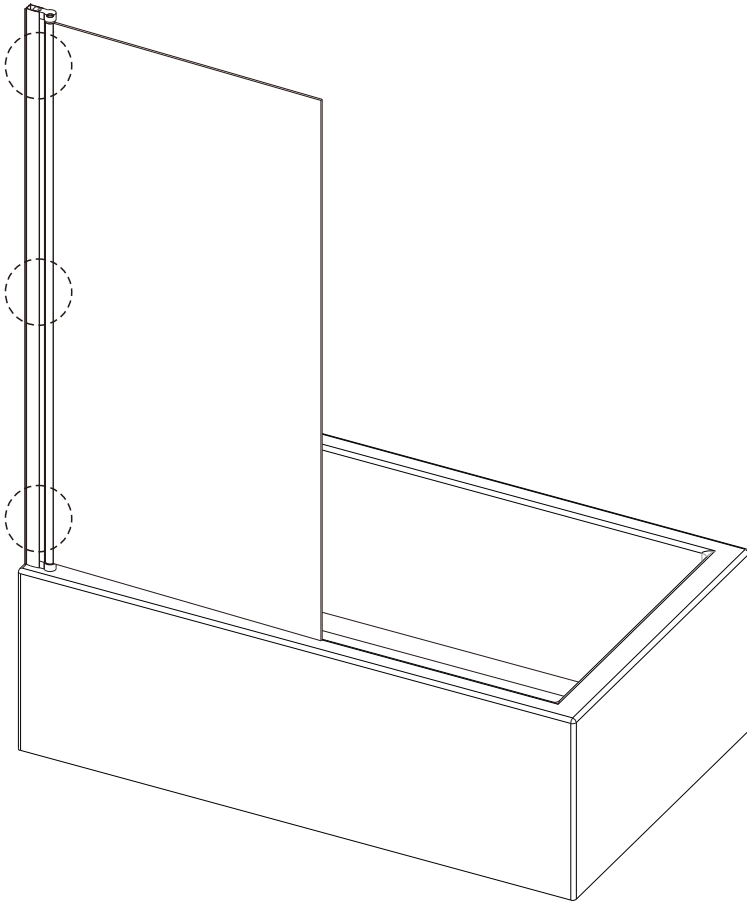
Note: Unscrew and remove the top hinge pivot part. Turn pivot profile upside down, re-assemble, and screw the top hinge pivot part back at the bottom.



## STEP 4 FITTING WALL PROFILE TO THE WALL

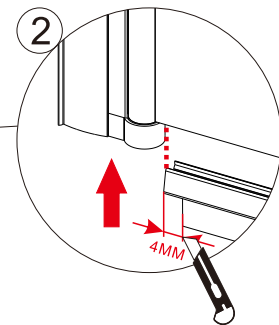
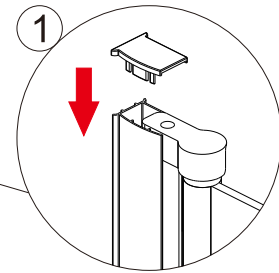
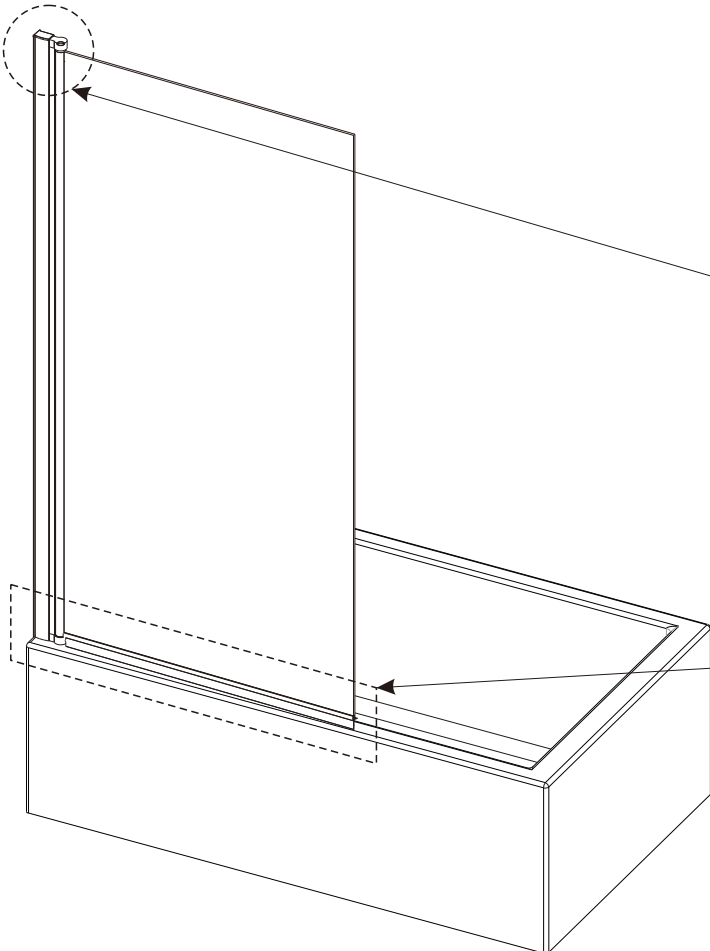


## STEP 5 FITTING THE FIXED PANEL

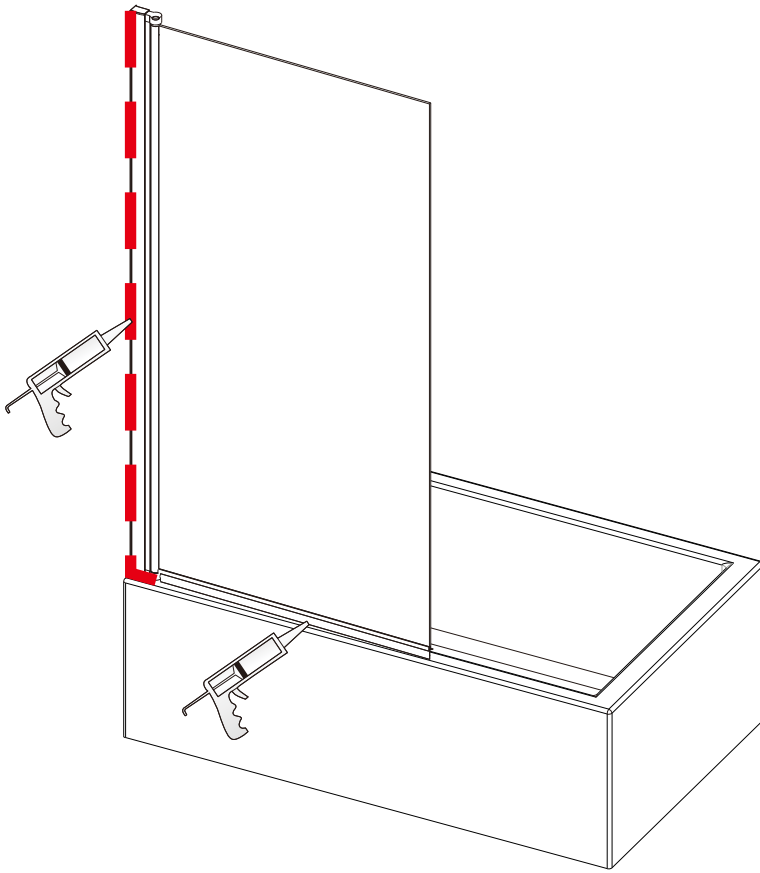


⚠ Take care not to drill into the glass

## STEP 6 FITTING THE COVER CAP AND BOTTOM SEAL



STEP 7 SILICONE TO THE EDGE



**Allow 24 hours for silicone to dry before use.**