

PRODUCT DATA SHEET

Brunswick 600 Vanity Unit

Product Code: HARR-BRUNS-600-DOVE



SCUDO
BEAUTIFUL BATHROOMS

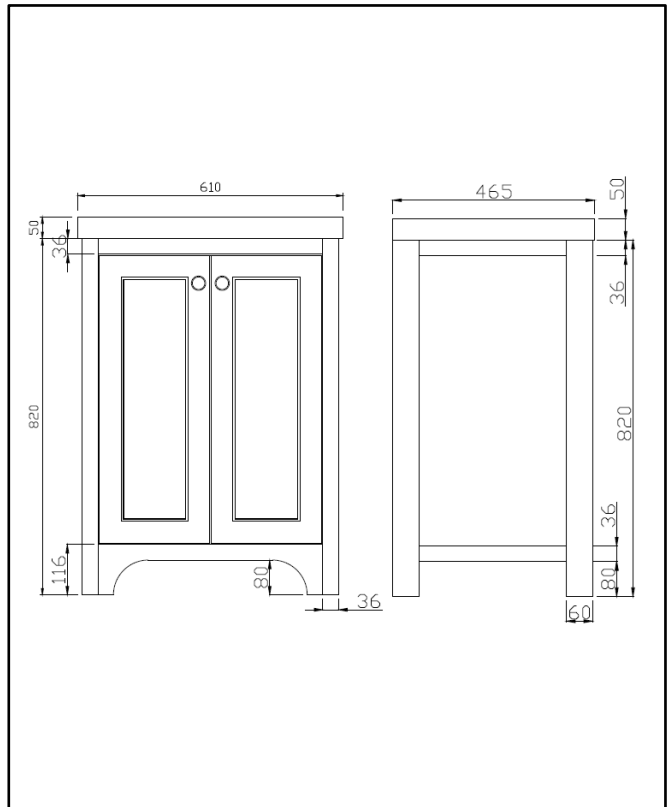
0330 124 7290

sales@scudo.co.uk www.scudo.co.uk

Scudo is the trading name of Harrison Bathrooms Ltd. Whilst we endeavour to ensure that the product information is accurate, we accept no liability for any information given. All images are for illustration purposes only. Product images and specification are subject to change. Measurements are in millimetres and are nominal.

Product Code	HARR-BRUNS-600-DOVE
Product Description	Brunswick 600 Vanity Unit Dove Grey
Product Transportation	
Barcode	5060500646691
Country of origin	China
Commodity code	9403609000
Product Measurements	
Product Weight (KG)	27
Product Width (mm)	590
Product Height (mm)	820
Product Depth (mm)	460
Primary Packed Measurements	
Packaged Weight	29.3
Packed Width	650
Packed Height	870
Packed Depth	510

General Information	
Construction Material	Painted MDF
Installation type	Floor Mounted
Colour / Finish	Dovetail Grey



Dimensions

(Measurements in mm)



LIFETIME GUARANTEE

We are confident in our products and we want our customer to be, we proudly give a lifetime guarantee on our taps and showers. Further details can be found on our website.