

# PRODUCT DATA SHEET

## Brunswick 900 Vanity Unit

Product Code: HARR-BRUNS-900-SPA



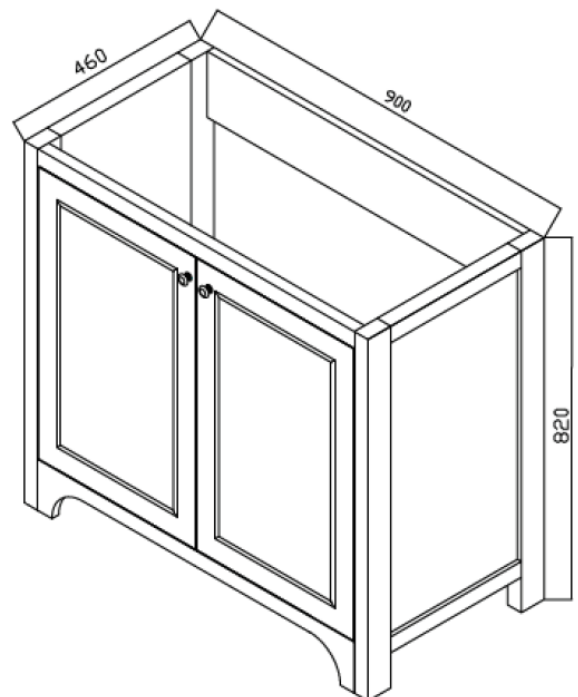
**SCUDO**  
BEAUTIFUL BATHROOMS

0330 124 7290

[sales@scudo.co.uk](mailto:sales@scudo.co.uk) [www.scudo.co.uk](http://www.scudo.co.uk)

Scudo is the trading name of Harrison Bathrooms Ltd. Whilst we endeavour to ensure that the product information is accurate, we accept no liability for any information given. All images are for illustration purposes only. Product images and specification are subject to change. Measurements are in millimetres and are nominal.

Product Code	HARR-BRUNS-900-SPA
Product Description	Brunswick 900 Vanity Unit Spa Grey
Product Transportation	
Barcode	5060713729495
Country of origin	China
Commodity code	9403609000
Product Measurements	
Product Weight (KG)	37.6
Product Width (mm)	900
Product Height (mm)	820
Product Depth (mm)	460
Primary Packed Measurements	
Packaged Weight	39.6
Packed Width	950
Packed Height	870
Packed Depth	510
General Information	
Construction Material	Painted MDF
Installation type	Floor Mounted
Colour / Finish	Spa Grey



### Dimensions

(Measurements in mm)



#### LIFETIME GUARANTEE

We are confident in our products and we want our customer to be, we proudly give a lifetime guarantee on our taps and showers. Further details can be found on our website.