

PRODUCT DATA SHEET

Descent Bath Filler

Product Code: TAP032S



SCUDO
BEAUTIFUL BATHROOMS

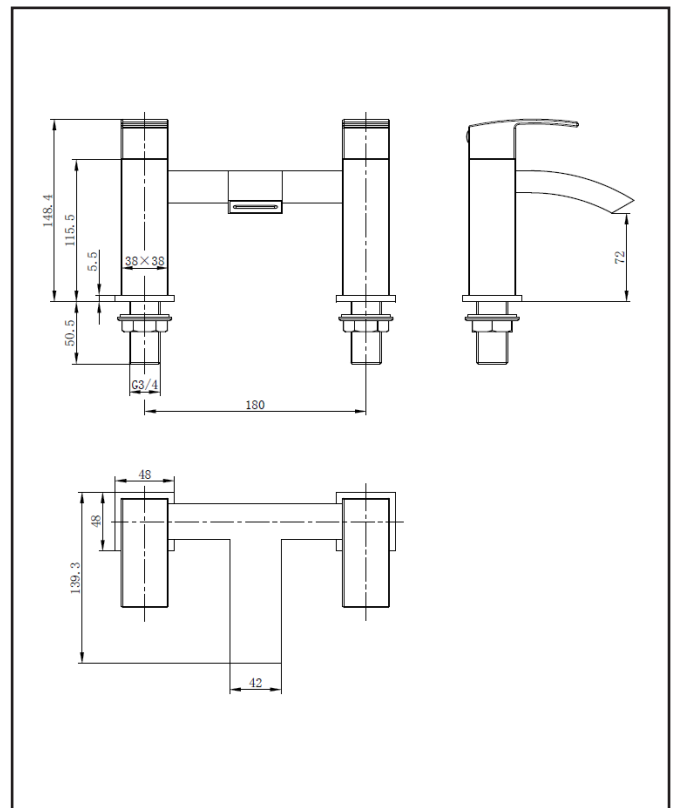
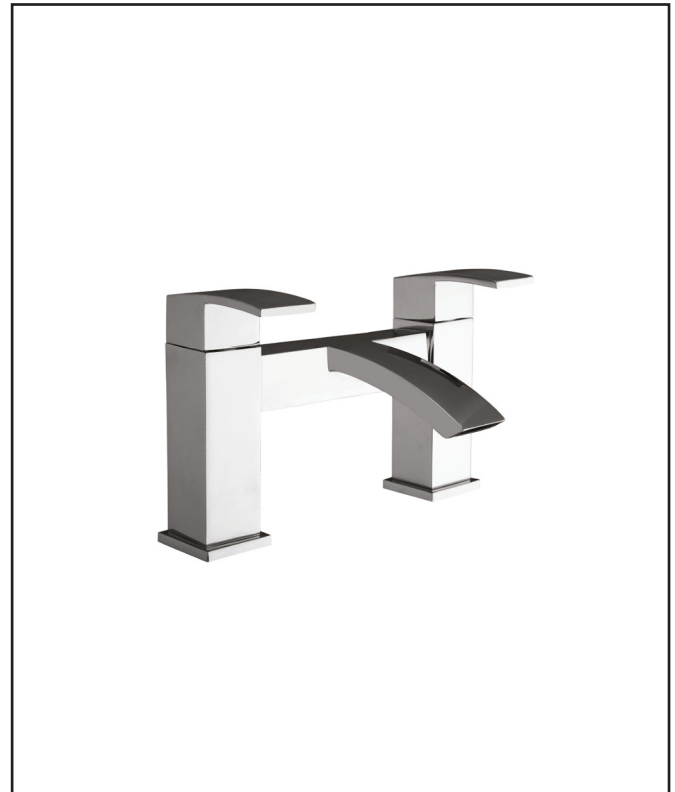
0330 124 7290

sales@scudo.co.uk - www.scudo.co.uk

Scudo is the trading name of Harrison Bathrooms Ltd. Whilst we endeavour to ensure that the product information is accurate we accept no liability for any information given. All images are for illustration purposes only. Product images and specification are subject to change. Measurement are in millimetres and are nominal.

Product Name	TAP032S
Product Description	Bath Filler
Product Transportation	
Barcode	5060991202451
Country of origin	CH
Commodity code	8481801190
Product Measurements	
Product Weight (KG)	3.1
Product Width (mm)	218
Product Height (mm)	148.4
Product Depth (mm)	139.3
Product Length (mm)	
Primary Packed Measurements	
Packaged Weight	3.4
Packed Length	25
Packed Width	21.5
Packed Height	15.5
Packaging Weights	
Card (kg)	0.361
Paper (kg)	0.12
Wood (kg)	n/a
Plastic (kg)	0.004
Compliance DOP	

General Information	
Construction Material	Stainless Steel
Installation type	Deck Mounted
Colour / Finish	Chrome
Tap / Shower Attributes	
WRAS Approved	Yes
TMV Approved	No
Minimum Operating Pressure (bar)	0.5
Maximum Operating Pressure (bar)	5
Flexible Tails Included	No
Number of tap holes required	2
Handle Type	Lever
Swivel Spout	No
Inlet Connection	3/4 BSP
Outlet Connection	N/a
Tap Hole Diameter (mm)	32
Tap Type description	Manual Mixer
Includes Waste	No
Valve / Cartridge Type	Quarter Turn Cartridge
Cartridge Spare code	
Flow Rates	
0.2bar (l/min)	9
0.5bar (l/min)	15.7
1bar (l/min)	23.1
2bar (l/min)	32.9
3bar (l/min)	40.9



Dimensions
(measurements in mm)



LIFETIME GUARANTEE

We are confident in our products and we want our customer to be, we proudly give a lifetime guarantee on our taps and showers, further details can be found on our website