

# PRODUCT DATA SHEET

## Premier Bath Filler

Product Code: TAP102S



**SCUDO**  
BEAUTIFUL BATHROOMS

0330 124 7290

sales@scudo.co.uk - www.scudo.co.uk

Scudo is the trading name of Harrison Bathrooms Ltd. Whilst we endeavour to ensure that the product information is accurate we accept no liability for any information given. All images are for illustration purposes only. Product images and specification are subject to change. Measurement are in millimetres and are nominal.

### Product Measurements

Product Weight:	1.94kg
Product Width:	218mm
Product Height:	108.5mm
Product Depth:	145mm
Product Length:	

### Product Transportation

Barcode:	5060991202499
Country of Origin:	China
Comodity Code:	8481801190

### Primary Packed Measurements

Packaged Weight:	2.15kg
Packaged Length:	240mm
Packaged Width:	200mm
Packaged Height:	155mm

### Packaging Weight

Card:	0.142kg
Paper:	0kg
Wood:	0kg
Plastic:	0.002kg

### General Information

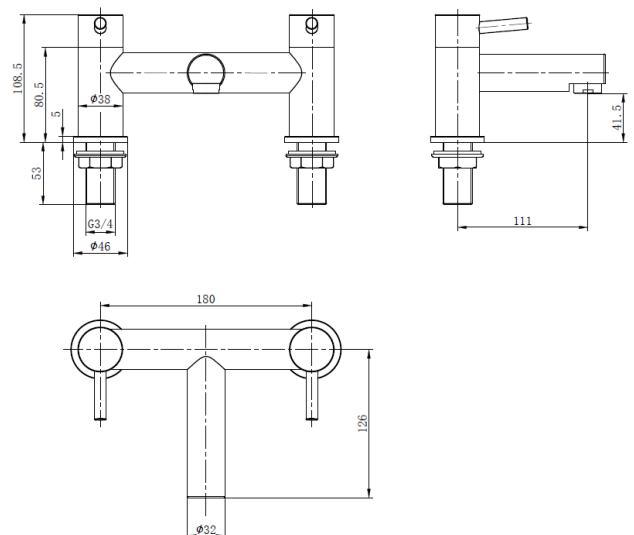
Construction Material:	Stainless Steel
Installation Type:	Deck Mounted
Colour / Finish:	Chrome

### Tap/Shower Attributes

Minimum Pressure:	0.5 bar
Maximum Pressure:	5 bar
Flexible Tails Included:	No
Tap Hole Required:	2
Handle Type:	Lever
Swivel Spout:	No
Inlet Connection:	3/4 BSP
Outlet Connection:	N/A
Tap Hole Diameter:	32mm
Tap Type Description:	Manual Mixer
Includes Waste:	No
Valve / Cartridge Type:	Quarter Turn Cartridge
Cartridge Spare Code:	

### Flow Rates

0.2bar (l/min)	7.3
0.5bar (l/min)	13.4
1bar (l/min)	19.8
2bar (l/min)	28.2
3bar (l/min)	34.7



### Dimensions

(measurements in mm)



#### LIFETIME GUARANTEE

We are confident in our products and we want our customer to be, we proudly give a lifetime guarantee on our taps and showers, further details can be found on our website