

PRODUCT DATA SHEET

Muro Basin Mixer

Product Code:TAP241S



SCUDO
BEAUTIFUL BATHROOMS

0330 124 7290

sales@scudo.co.uk - www.scudo.co.uk

Scudo is the trading name of Harrison Bathrooms Ltd. Whilst we endeavour to ensure that the product information is accurate we accept no liability for any information given. All images are for illustration purposes only. Product images and specification are subject to change. Measurement are in millimetres and are nominal.

Product Measurements

Product Weight:	1.42kg
Product Width:	50mm
Product Height:	160mm
Product Depth:	156mm
Product Length:	

Product Transportation

Barcode:	5060991202543
Country of Origin:	China
Comodity Code:	8481801190

Primary Packed Measurements

Packaged Weight:	1.58kg
Packaged Length:	255mm
Packaged Width:	170mm
Packaged Height:	80mm

Packaging Weight

Card:	0.07kg
Paper:	0kg
Wood:	0kg
Plastic:	0.002kg

General Information

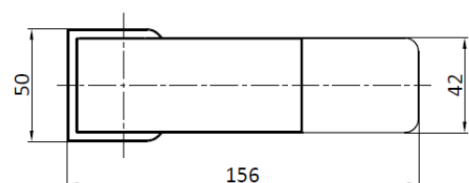
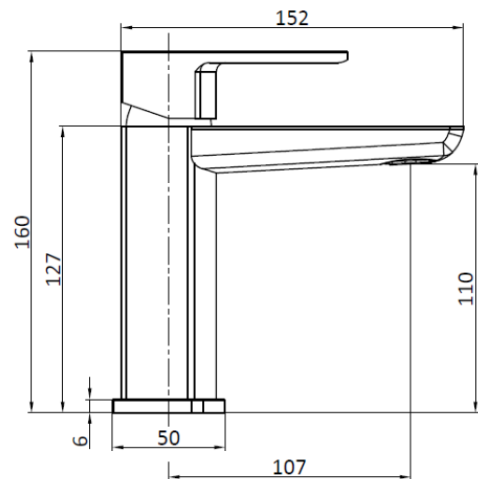
Construction Material:	Stainless Steel
Installation Type:	Mono Mixer
Colour / Finish:	Chrome

Tap/Shower Attributes

Minimum Pressure:	0.2 bar
Maximum Pressure:	5 bar
Flexible Tails Included:	Yes
Tap Hole Required:	1
Handle Type:	Lever
Swivel Spout:	No
Inlet Connection:	1/2" M10
Outlet Connection:	N/A
Tap Hole Diameter:	35mm
Tap Type Description:	Mono Mixer
Includes Waste:	Yes
Valve / Cartridge Type:	Plastic Cartridge
Cartridge Spare Code:	N/A

Flow Rates

0.2bar (l/min)	4.1
0.5bar (l/min)	6.8
1bar (l/min)	9.6
2bar (l/min)	13.3
3bar (l/min)	16.4



Dimensions

(measurements in mm)



LIFETIME GUARANTEE

We are confident in our products and we want our customer to be, we proudly give a lifetime guarantee on our taps and showers, further details can be found on our website