

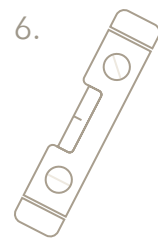
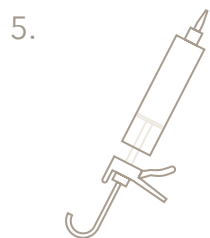
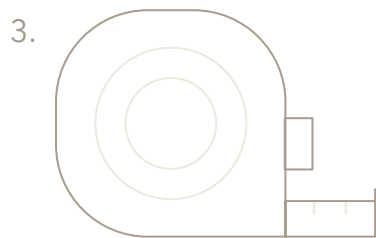
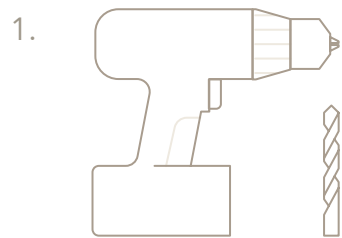
SCUDO



Fitted Furniture Installation Manual

0330 124 7290
sales@harrisonbathrooms.com

scudo.co.uk



Fitted Furniture Installation

This guide explains the installation process for the fitted furniture collection. **It is recommended to use a reputable qualified trades person.**

Tools Required

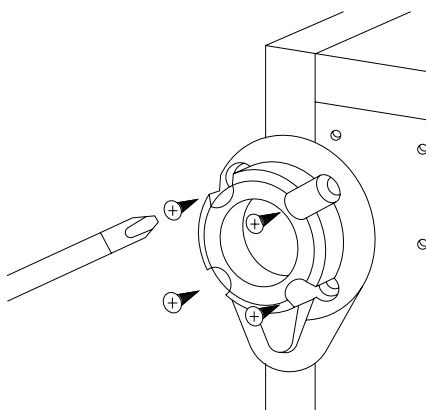
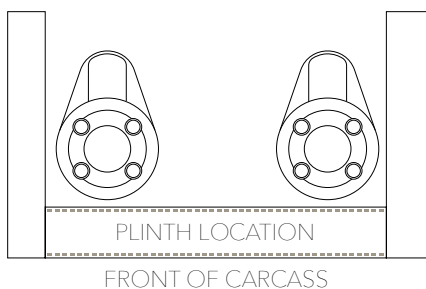
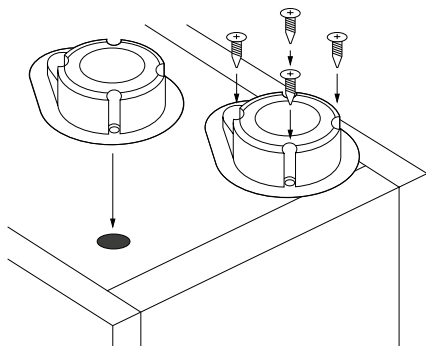
- 1) Drill and Drill Bit
- 2) Cross Head Screwdriver
- 3) Tape Measure
- 4) Pencil
- 5) Sealant Gun
- 6) Spirit Level

Before you start carefully read the instructions.

Before you begin, check the pack to ensure all components are included. When you're ready to start, make sure you have the correct tools, plenty of space, and a clean, dry area for assembly. Take your time—read through all the instructions carefully before beginning. Keep all fittings together to prevent losing any pieces, and avoid over tightening screws or bolts.

Cleaning:

Use only mild soap and water. Do not use bleach or any abrasive cleaners. Refer to the after care instructions for more details.



Leg & Plinth Installation

Step 1:

Insert leg top fixing into the two locating holes ensure the tapered edge points away from the front of the carcass.

Step 2:

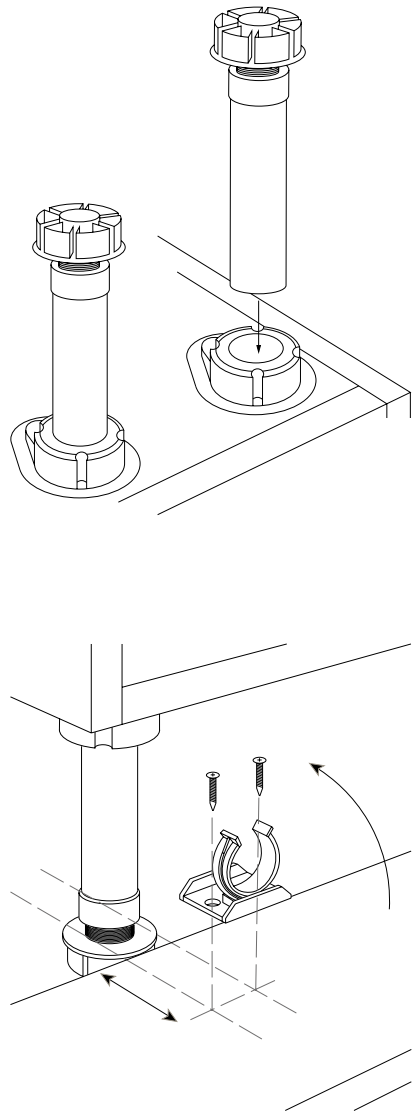
Mark all holes with a pencil remove top fixing & pre-drill plot holes using a 1.5mm wood bit approx. 2-3mm deep.

Step 3:

Using 4*16mm screw provided screw leg top fixing in place.

Note:

Carcass & Fascias are 18mm thick take all care not to use screws too long for the product.

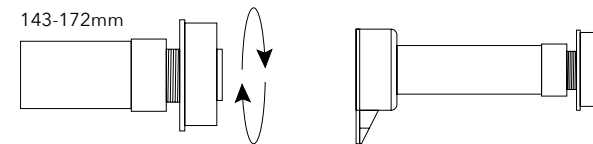


Leg & Plinth Installation

Step 4:

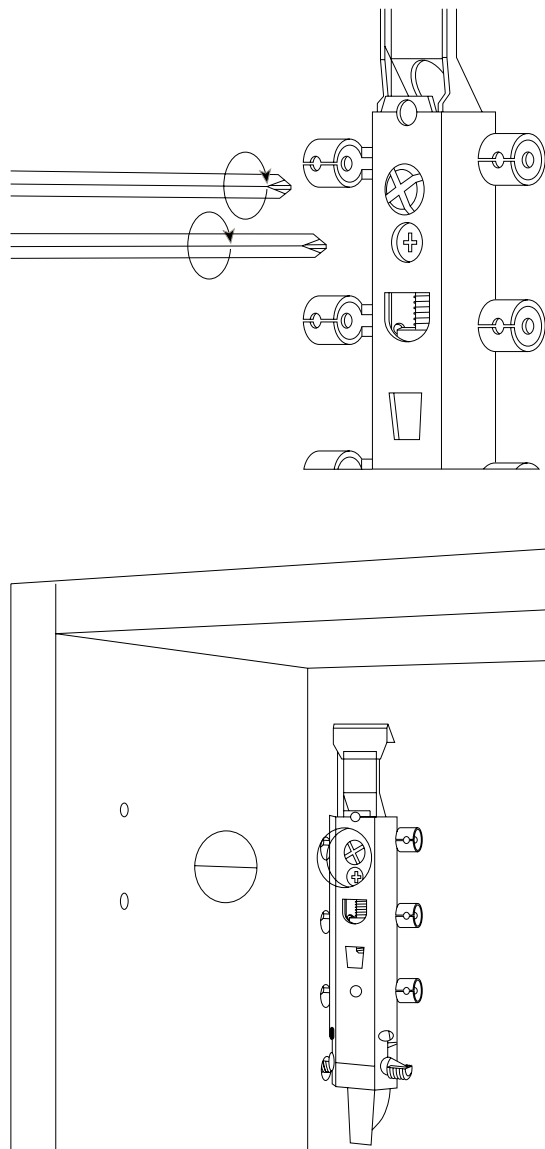
Insert leg adjust to required height between 143-172mm

Note: Plinth Height 160mm



Step 5:

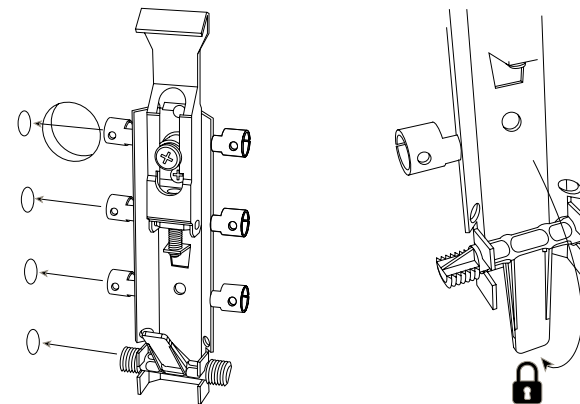
Align plinth using straight edge, fix clip plates, push-fit plinth.



Wall Bracket Installation & Mounting

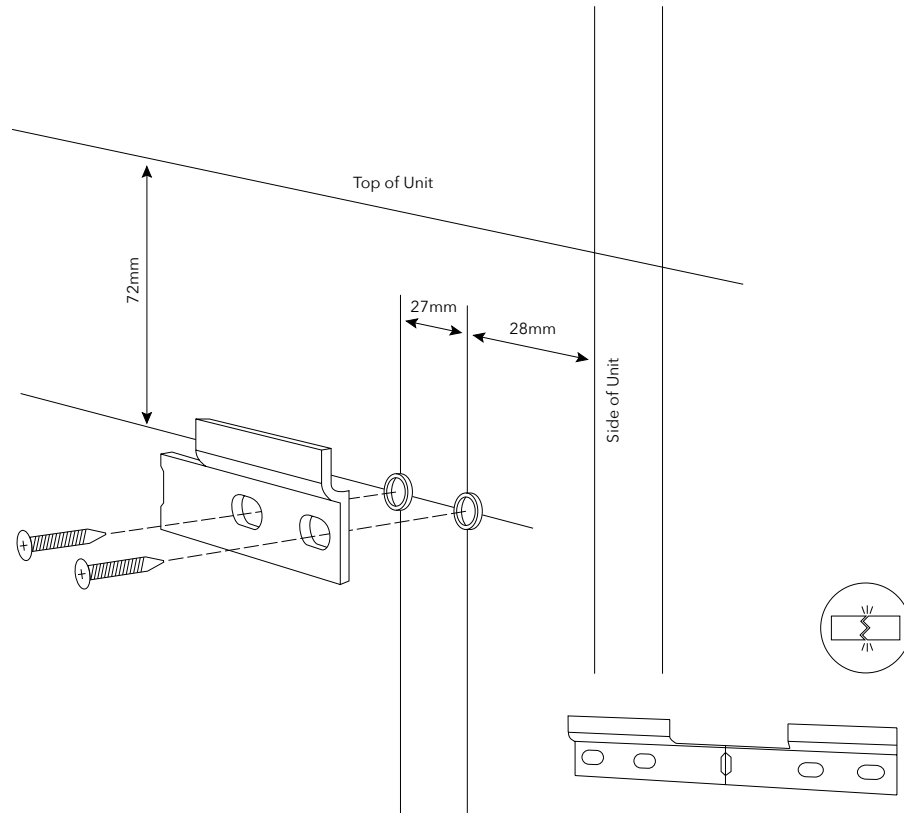
Step 1:

Before installation it is recommended to
Adjust in/out to be furthest setting out
Adjust up/down to the central point to allow maximum
adjustment



Step 2:

Ensure the adjustable bracket is locked

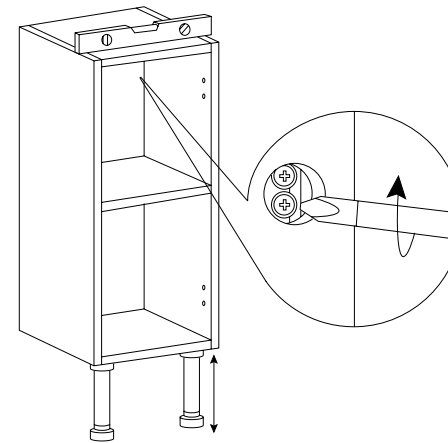


Wall Bracket Installation & Mounting

Brackets come as one and need to be snapped to create 2 brackets

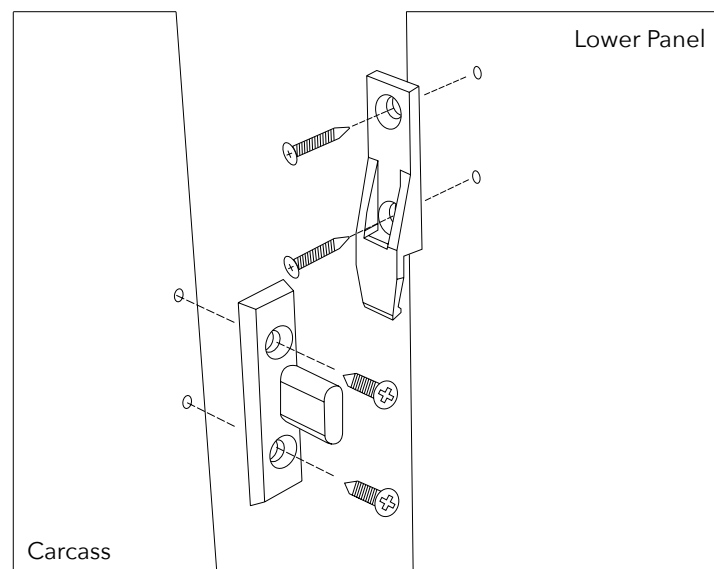
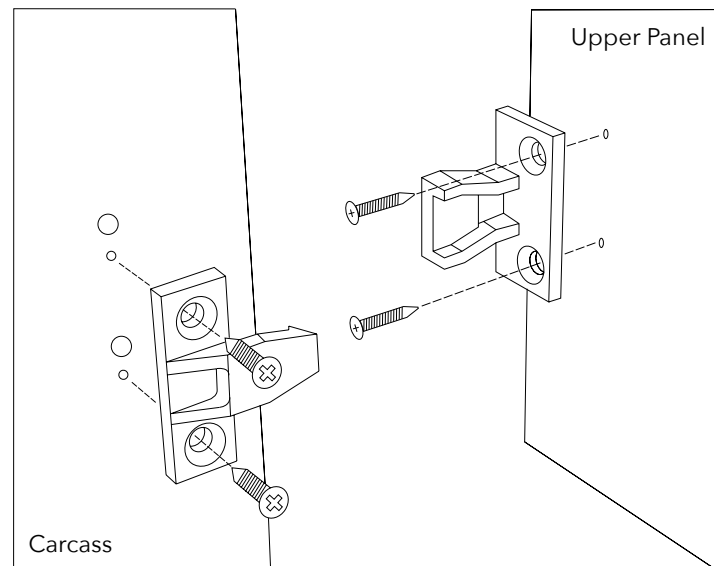
Step 3:

Adjustment range between 65-80mm from the top of the unit. 72mm being the central point.



Step 4:

Place the unit on the wall brackets, adjust the bottom screw until level. Then tighten the top screw clockwise to pull the unit close to the wall.



WC unit front fixing installation

Step 1:

Fix the brackets as shown using supplied 16mm screws.

Step 2:

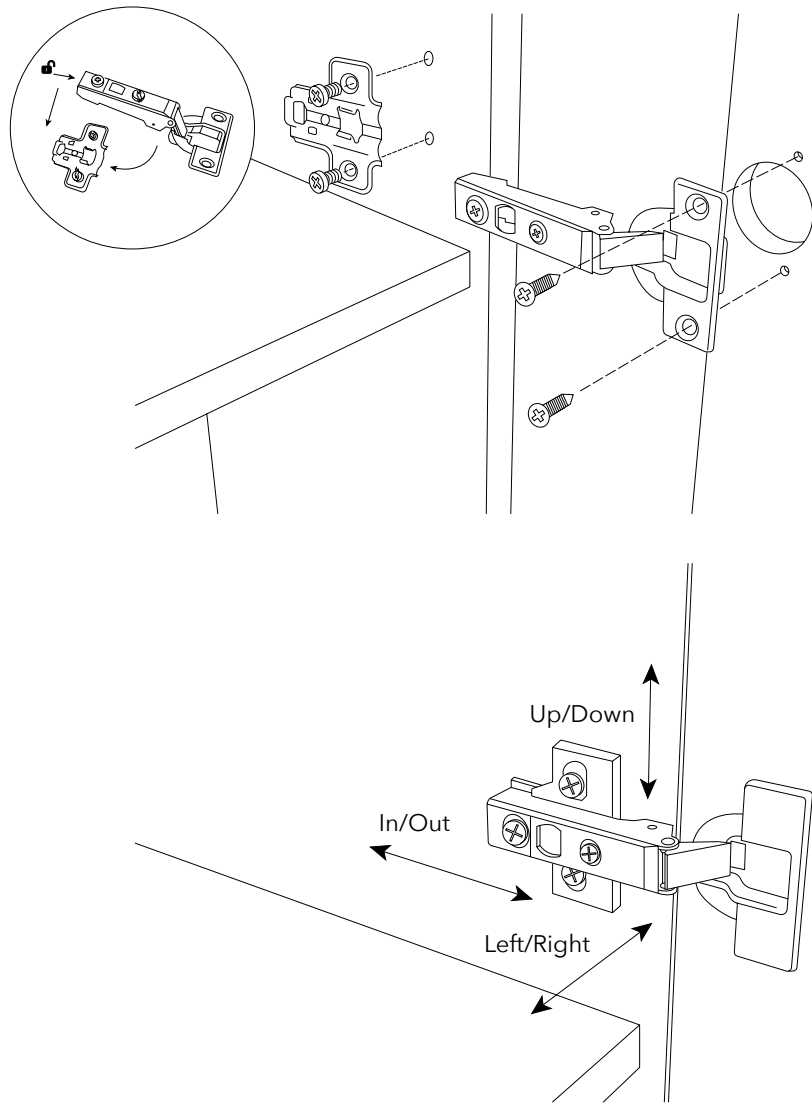
The lower panel should be fitted to the carcass first line up and lower down onto the bracket. Ensure this is lined up correctly before pushing down.

Step 3:

The upper panel will push in place.

Step 2:

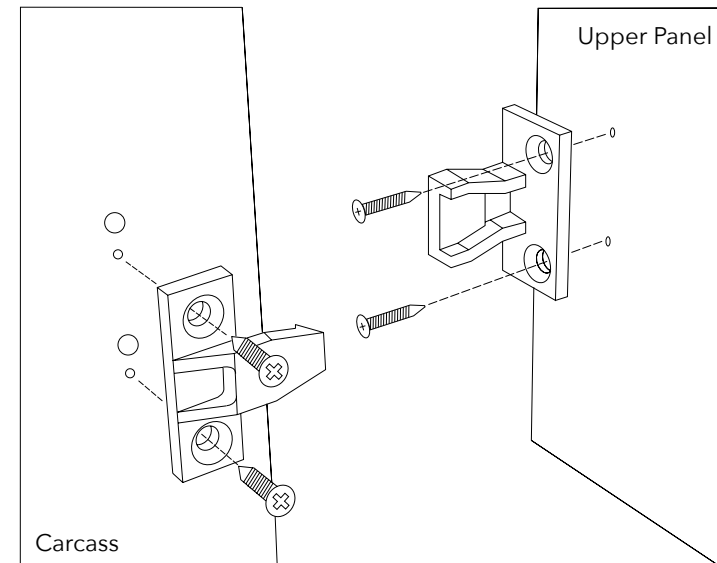
Mark and cut panels for WC & Button to suit. Ensure that any cut is not too close to the brackets.



Facia and Door installation

Step 1:

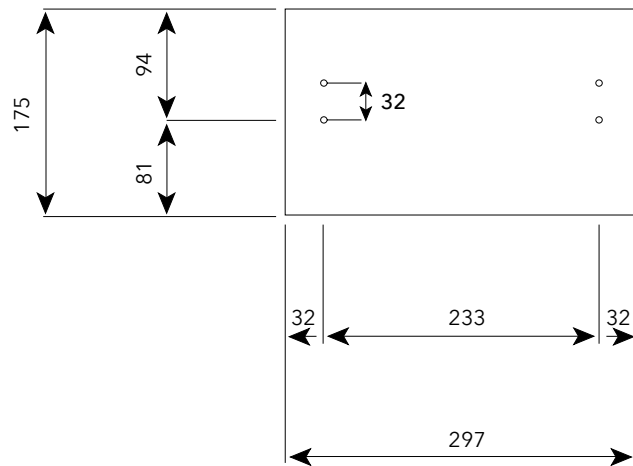
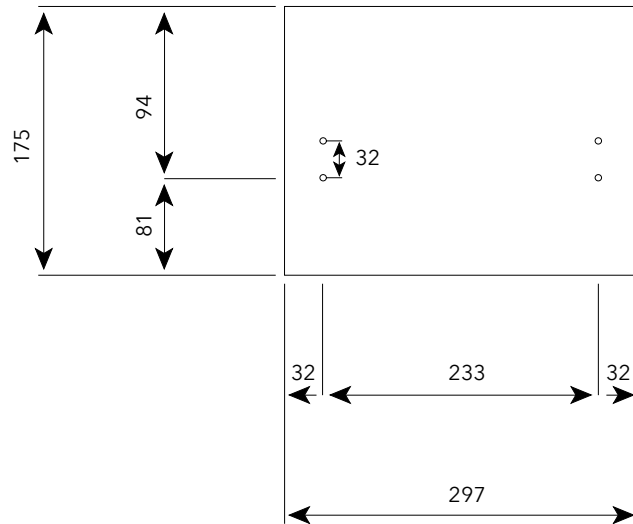
Fix the brackets as shown using supplied 16mm screws



Step 2:

This image is not bad to explain hinge installation
Note: to add supplied with 2x Soft close hinges and 2x none soft close. Careful not to use 2 of the same for a door installation.

Fixing locations for fitted furniture drawers.

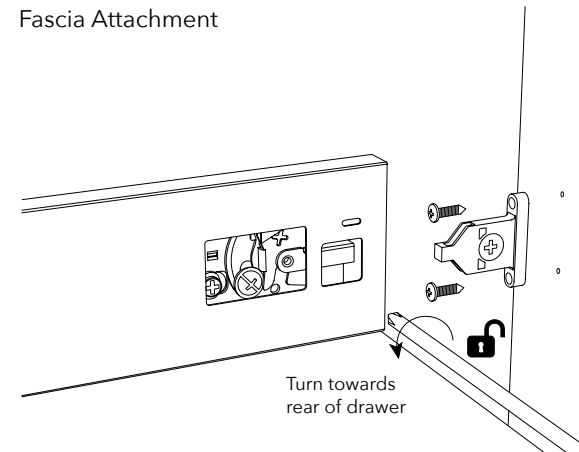


Step 3:

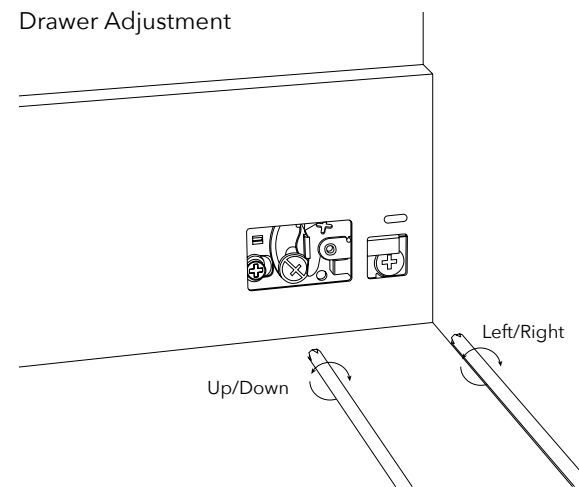
Attach the fascia before adjusting your drawer.

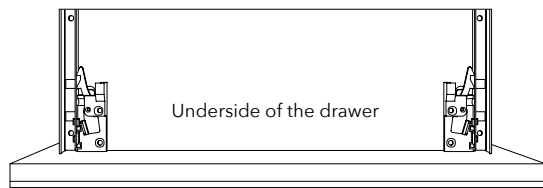
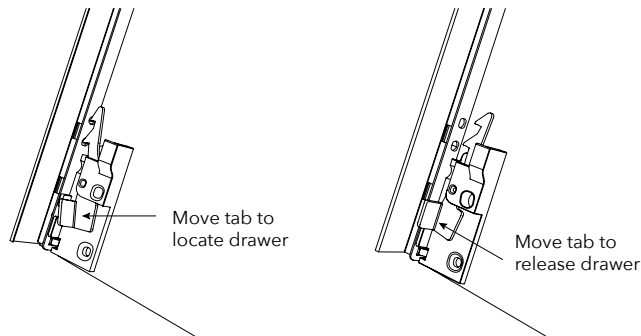
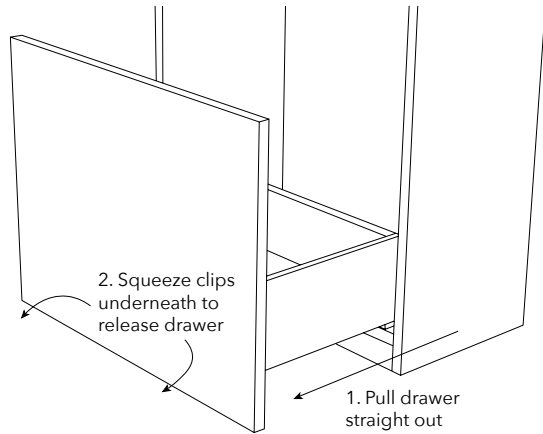
(See below)

Fascia Attachment



Drawer Adjustment





Step 4:

To remove the drawer pull it out to the full extent. Squeeze the release clips on each side and continue to pull the drawer box clear of the runner.

Step 5:

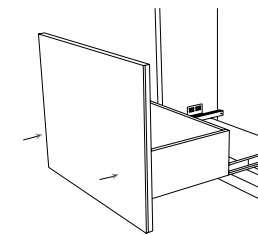
Extend the runners, place the drawer box on them and push hit shut until you hear a click. This engages the front clips.

Step 6:

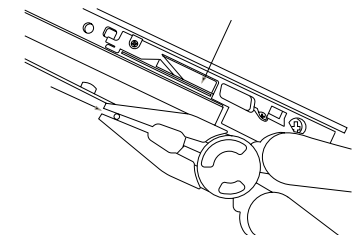
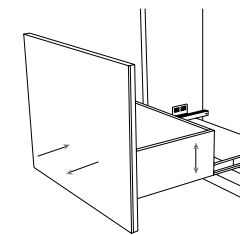
Pull the drawer open again and give a second firm shove (we suggest push equally on both sides to ensure it goes in straight). This engages the rear clips.

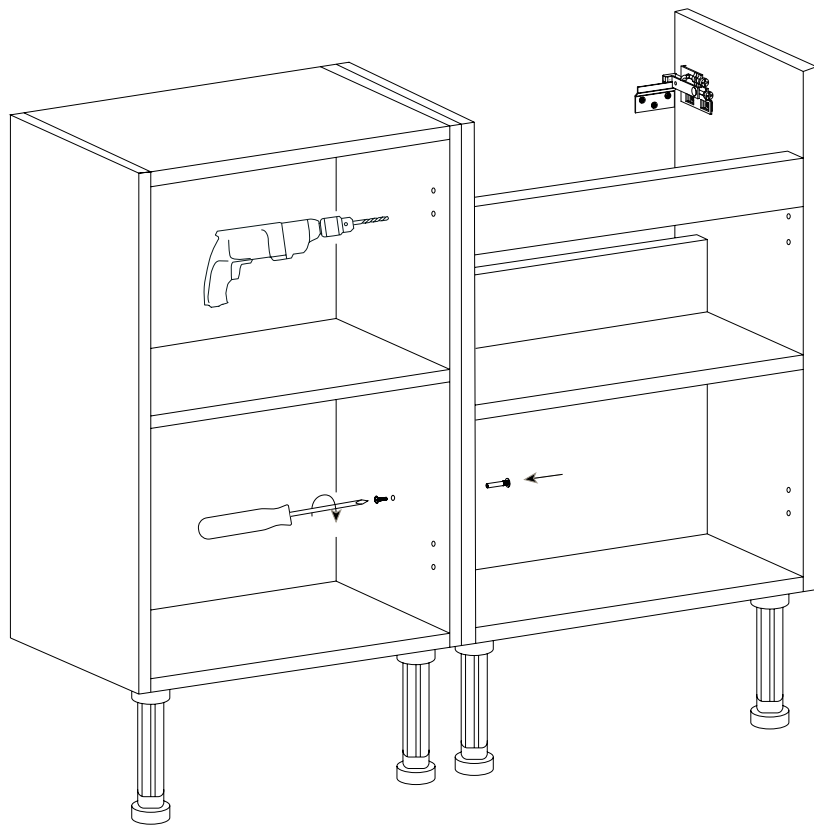
Note: May require the drawer arm pulling closed with a tool when the washer is new.

Step 5:



Step 6:





Carcass Joining Method

Step 7:

Attach the base units together using connecting bolts (not provided). Drill through the end panel of the unit and secure with the bolts.

It is good practice to clamp the units together before drilling. You may wish to hide the bolts under a loose shelf or behind a hinge.

End Panel Instructions

- Cut end panel to size if required
- Place in position and clamp in place
- Pre-drill a pilot hole through carcass only not end panel
- Using a 25mm screw fix end panel from inside the carcass.
(Not supplied)

Solid surface worktop cutting

- Mark cut line
- Using a fine toothed wood saw (ensure using correct PPE) in a well ventilated area.
- Sand as required
- Polish