

PRODUCT DATA SHEET

Descent Mono Basin Mixer

Product Code: TAP033S



SCUDO
BEAUTIFUL BATHROOMS

0330 124 7290

sales@scudo.co.uk - www.scudo.co.uk

Scudo is the trading name of Harrison Bathrooms Ltd. Whilst we endeavour to ensure that the product information is accurate we accept no liability for any information given. All images are for illustration purposes only. Product images and specification are subject to change. Measurement are in millimetres and are nominal.

Product Measurements

Product Weight:	3.37kg
Product Width:	218mm
Product Height:	148.4mm
Product Depth:	139.3mm
Product Length:	

Product Transportation

Barcode:	5060991202468
Country of Origin:	China
Comodity Code:	8481801190

Primary Packed Measurements

Packaged Weight:	3.5kg
Packaged Length:	250mm
Packaged Width:	215mm
Packaged Height:	155mm

Packaging Weight

Card:	0.193kg
Paper:	0kg
Wood:	0kg
Plastic:	0.005kg

General Information

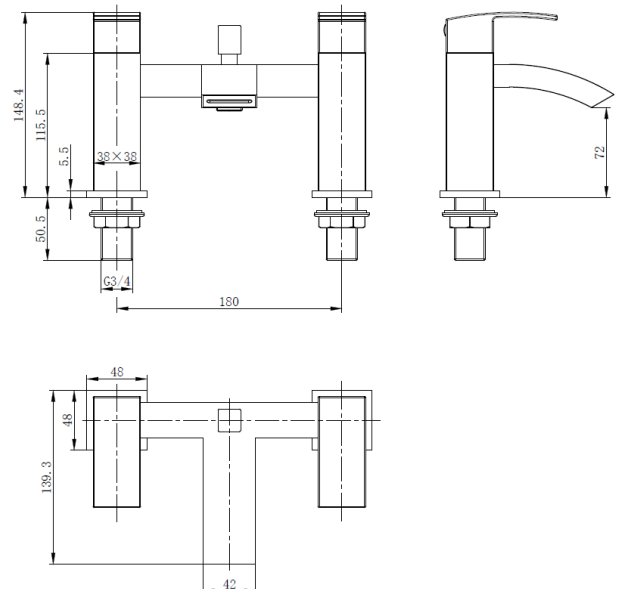
Construction Material:	Stainless Steel
Installation Type:	Mono Mixer
Colour / Finish:	Chrome

Tap/Shower Attributes

Minimum Pressure:	0.5 bar
Maximum Pressure:	5 bar
Flexible Tails Included:	No
Tap Hole Required:	2
Handle Type:	Lever
Swivel Spout:	No
Inlet Connection:	3/4 BSP
Outlet Connection:	1/2 BSP Handset
Tap Hole Diameter:	32mm
Tap Type Description:	Manual Mixer
Includes Waste:	Yes
Valve / Cartridge Type:	Quarter Turn Cartridge
Cartridge Spare Code:	

Flow Rates

0.2bar (l/min)	7.9
0.5bar (l/min)	14.1
1bar (l/min)	20.1
2bar (l/min)	29.4
3bar (l/min)	36.1



Dimensions

(measurements in mm)



LIFETIME GUARANTEE

We are confident in our products and we want our customer to be, we proudly give a lifetime guarantee on our taps and showers, further details can be found on our website