

PRODUCT DATA SHEET

Bay Matt White BTW Bath 1700x800mm

Product Code: BATH-012



SCUDO
BEAUTIFUL BATHROOMS

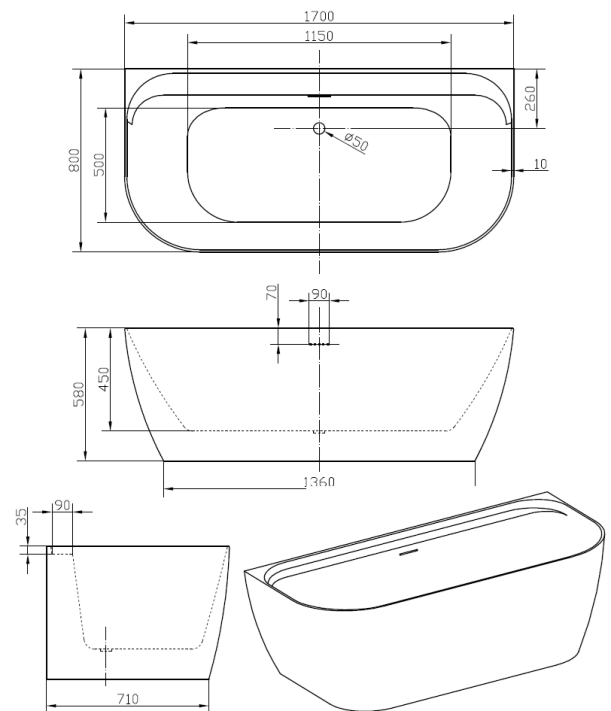
0330 124 7290

sales@scudo.co.uk www.scudo.co.uk

Scudo is the trading name of Harrison Bathrooms Ltd. Whilst we endeavour to ensure that the product information is accurate, we accept no liability for any information given. All images are for illustration purposes only. Product images and specifications are subject to change. Measurements are in millimetres and are nominal.

Product Name	BATH-012
Product Description	Bay Matt White BTW Bath 1700x800mm
Product Transportation	
Barcode	5060991204936
Country of origin	China
Commodity code	3922100000
Product Measurements	
Product Weight (KG)	45.000
Product Width (mm)	1700
Product Height (mm)	580
Product Depth (mm)	800
Primary Packed Measurements	
Packaged Weight	55
Packed Length	1740
Packed Width	830
Packed Height	620

General Information	
Construction Material	Acrylic
Installation type	Freestanding
Colour / Finish	Gloss white
Bath Attributes	
Effective Bath Water Capacity	84L
Bath Volume Water Capacity	210L
Shape	D Shape
Handed	Both
Bath Feet included	Yes
Supplied with Tap Holes	No
Height of Overflow / Soaking Depth	380
Internal Length Base (mm)	1150
Internal Width / Depth Base (mm)	500
Internal Height (mm)	450
Supplied with Front panel	N/a
Supplied with End panel	N/a
Compatible Panel Part Code	N/a



Dimensions

(Measurements in mm)

SCUDO
www.scudo.co.uk



WATER EFFICIENCY LABEL

≤62

≤68

≤74

≤80

≥80

84l

Product Code: BATH-012



LIFETIME GUARANTEE

We are confident in our products and we want our customer to be, we proudly give a lifetime guarantee on our taps and showers. further details can be found on our website.